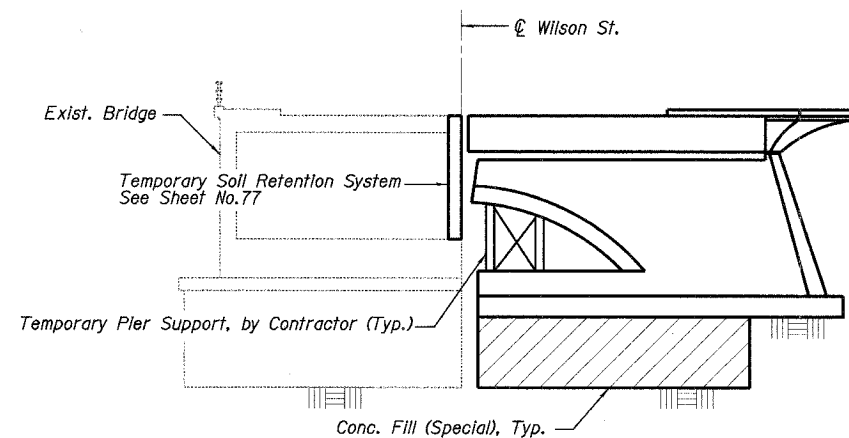


STATE OF ILLINOIS
DEPARTMENT OF TRANSPORTATION

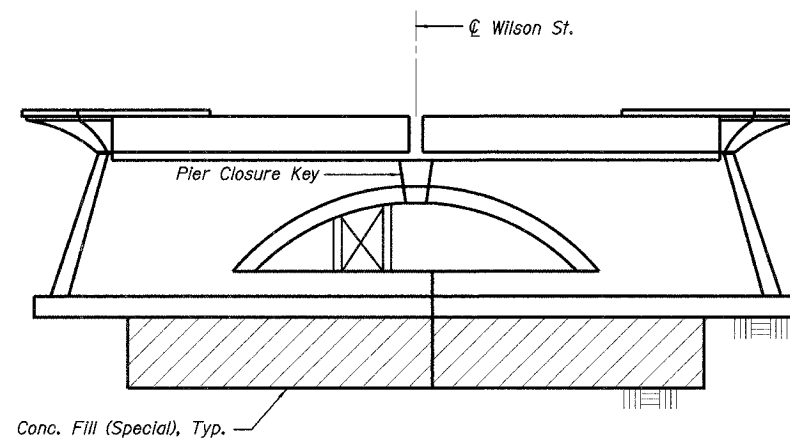
ROUTE NO.	SECTION	COUNTY	DIST. SHEETS	SHEET NO.	SHEET NO. 59 of 552 SHEETS
FAU 1441	00-00059-00-BR	KANE	154	80	
FED. ROAD DIST. NO. 7		ILLINOIS FED. AID PROJECT			

Contract # 83869



STAGE I

Construct temporary soil retention wall and remove southern portion of existing bridge. Construct south half proposed pier/footing and temporary support for pier. Place southern portion of superstructure.



STAGE II

Move all traffic to south lanes. Remove north half of existing bridge. Construct north half of proposed pier/footing. Cast Pier Closure Key. Post-tension Pier. Relieve compression in temporary supports and remove. Construct north portion of proposed superstructure.

PIER CONSTRUCTION SCHEMATIC
(Looking East)

NOTES

For requirements of the Temporary Pier Support, see specifications.

DESIGNED	-	DWH
CHECKED	-	RWC
DRAWN	-	EF
CHECKED	-	RWC

LOCHNER
H.W. LOCHNER, INC., CHICAGO, ILLINOIS

BRIDGE CONSTRUCTION SEQUENCE III
WILSON ST OVER FOX RIVER
SECTION 00-00059-00-BR
KANE COUNTY
STRUCTURE NO. 045-6051