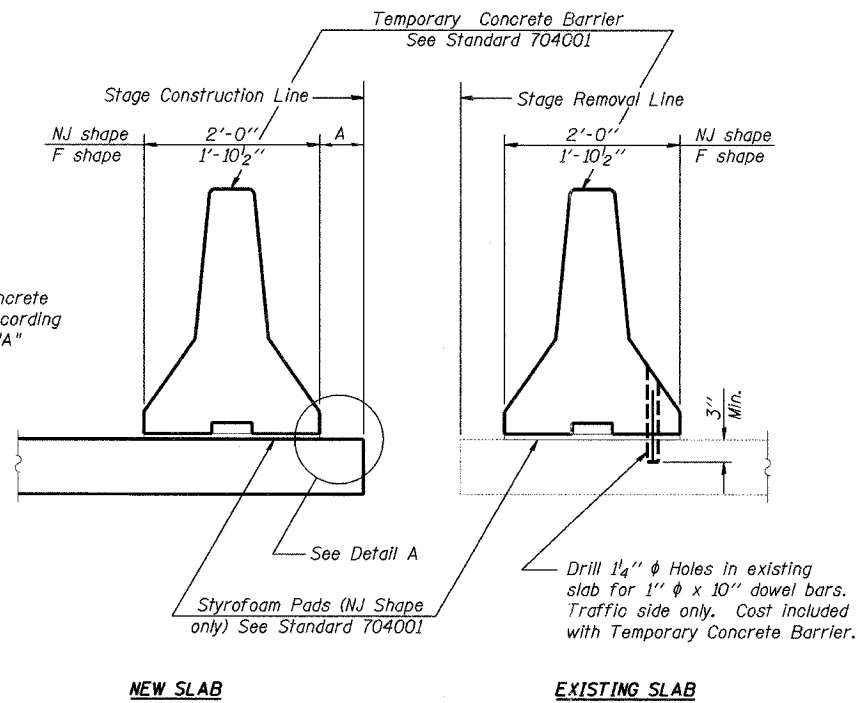


STATE OF ILLINOIS
DEPARTMENT OF TRANSPORTATION

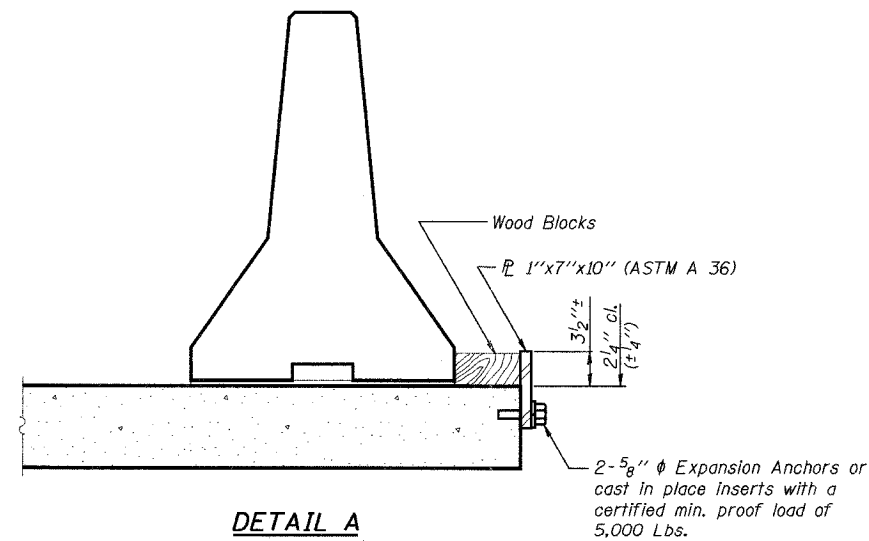
ROUTE NO.	SECTION	COUNTY	TOTAL SHEETS	SHEET NO.	SHEET NO. 511 of 552 SHEETS
FAU 1441	00-00059-00-BR	KANE	154	82	
FED. ROAD DIST. NO. 7		ILLINOIS	FED. AID PROJECT		

Contract # 83869

When "A" is 3'-6" or less, the temporary concrete barrier shall be anchored to the new slab according to Detail A. No anchorage is required when "A" is greater than 3'-6".



SECTIONS THRU SLAB

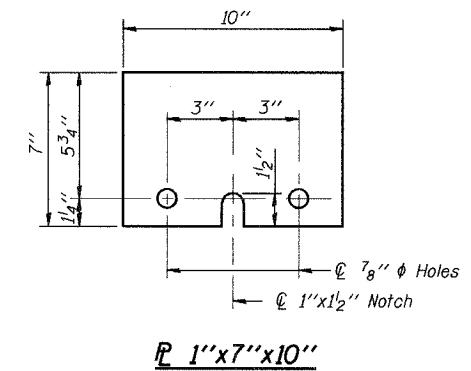


DETAIL A

The 1"x7"x10" Plate shall not be removed until Stage III Construction forms and all reinforcement bars are in place and the concrete is ready to be placed.

NOTES

Detail A- Connect one (1) 1"x7"x10" steel \bar{P} to the concrete slab with 2-5/8" ϕ Expansion Anchors or cast in place inserts spaced between the top layer of reinforcement at approximate \bar{C} of each barrier panel.
Cost of anchorage is included with Temporary Concrete Barrier.



\bar{P} 1"x7"x10"

DESIGNED	-
CHECKED	-
DRAWN	EF
CHECKED	DWH

LOCHNER
H.W. LOCHNER, INC., CHICAGO, ILLINOIS

TEMPORARY CONCRETE BARRIER
WILSON ST OVER FOX RIVER
SECTION 00-00059-00-BR
KANE COUNTY
STRUCTURE NO. 045-6051