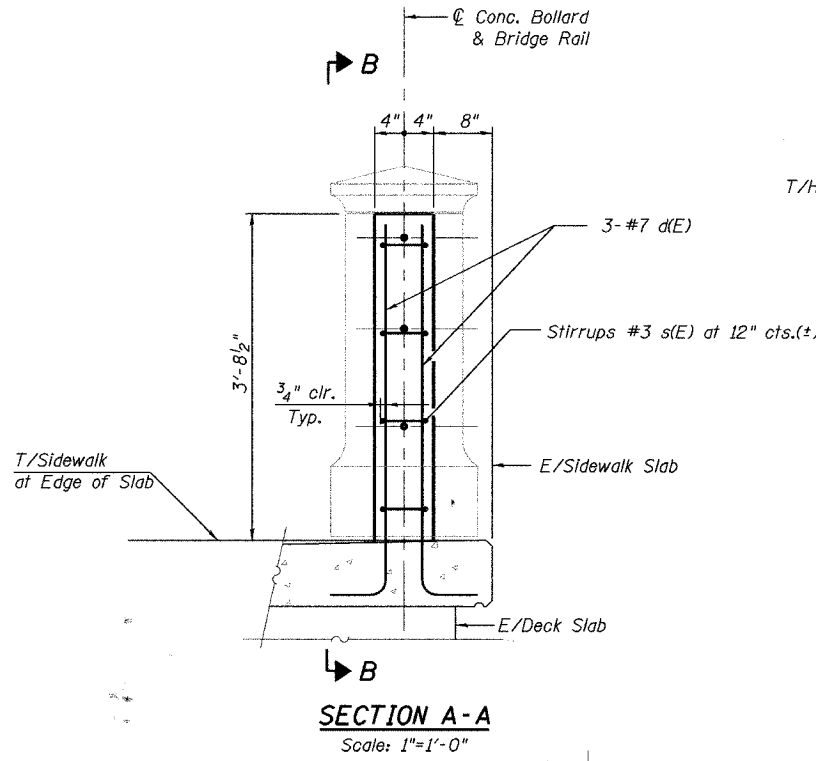


STATE OF ILLINOIS  
DEPARTMENT OF TRANSPORTATION

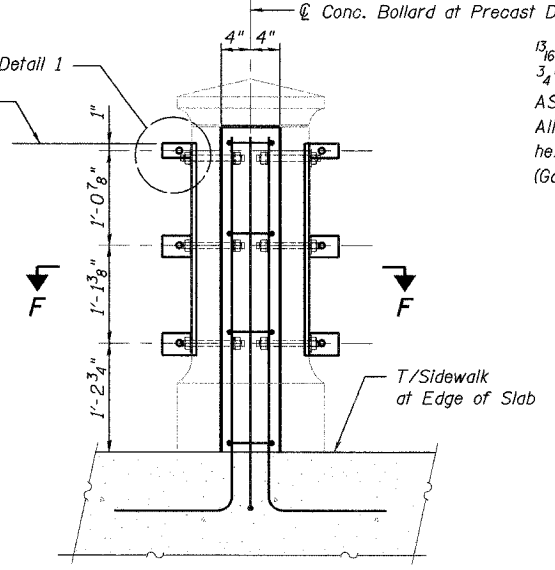
ROUTE NO.	SECTION	COUNTY	TOTAL SHEETS	SHEET NO.
FAU 1441	00-00059-00-BR	KANE	154	84
FED. ROAD DIST. NO. 7		ILLINOIS	FED. AID PROJECT	

Contract # 83869

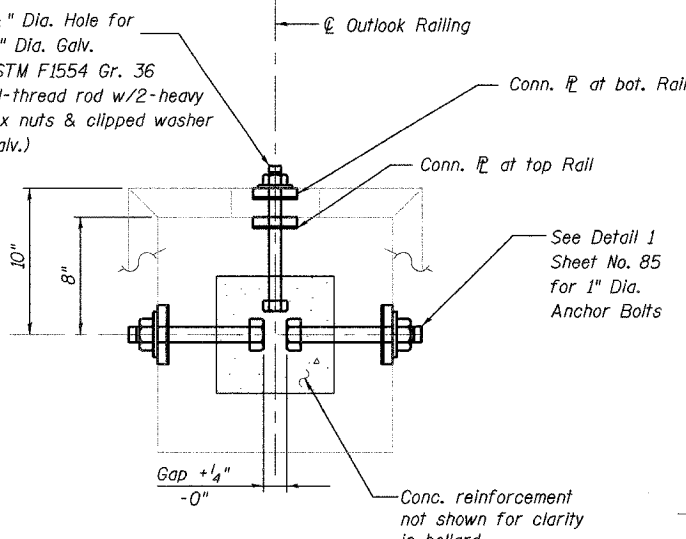
SHEET NO. S13  
of 552 SHEETS



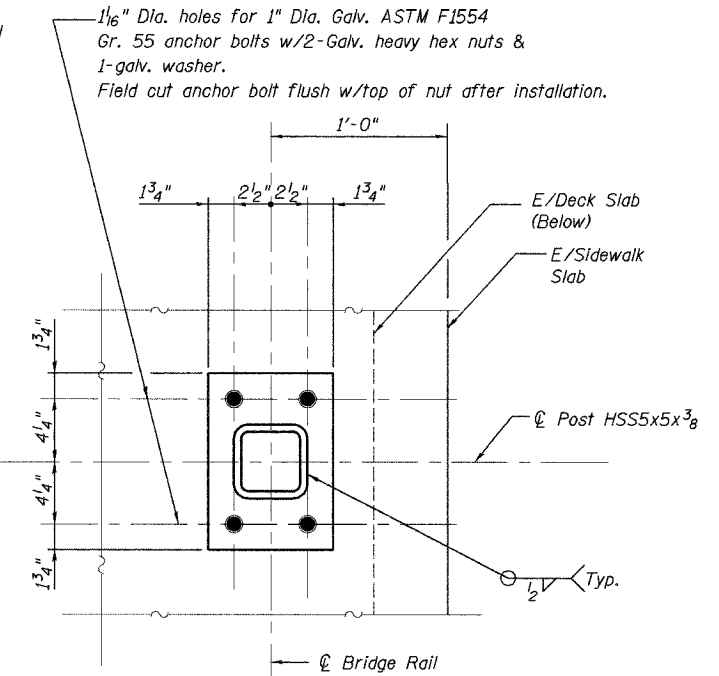
**SECTION A-A**  
Scale: 1"=1'-0"



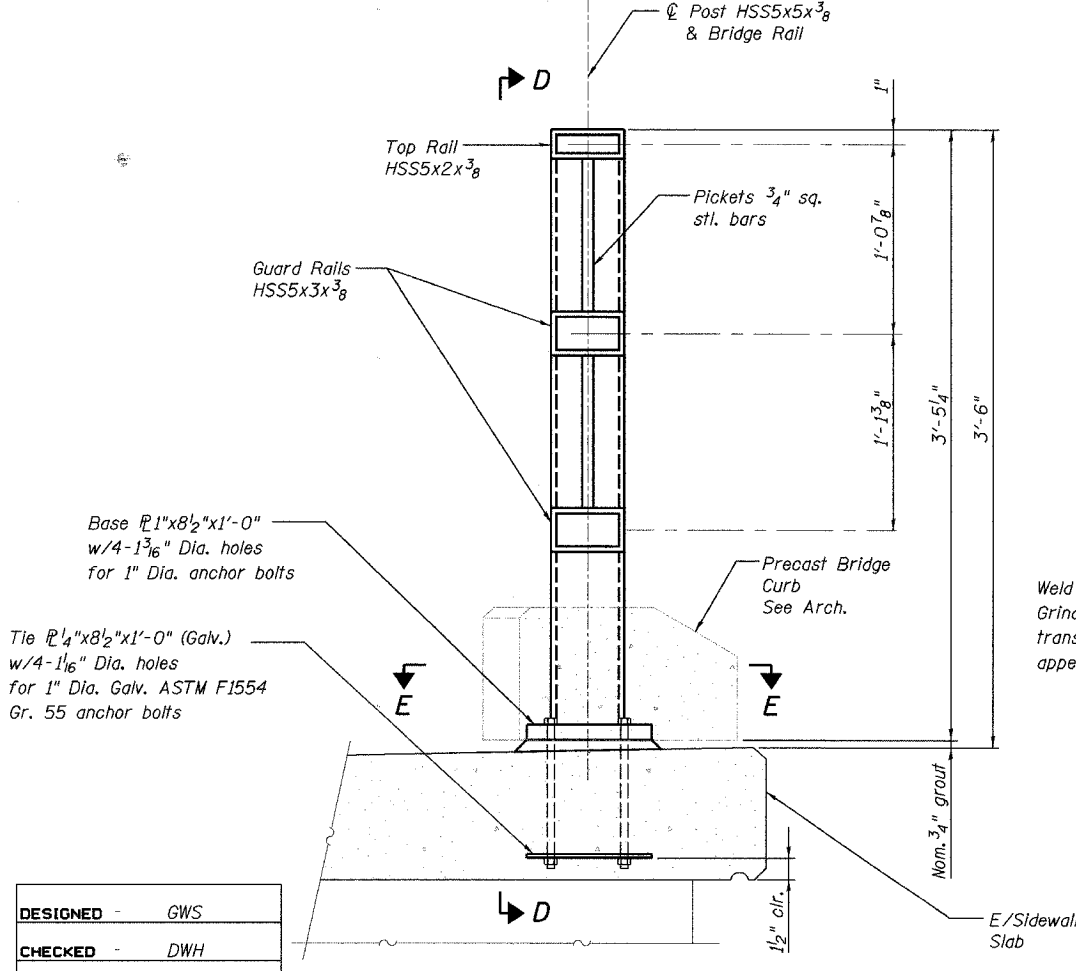
**SECTION B-B**  
Scale: 1"=1'-0"



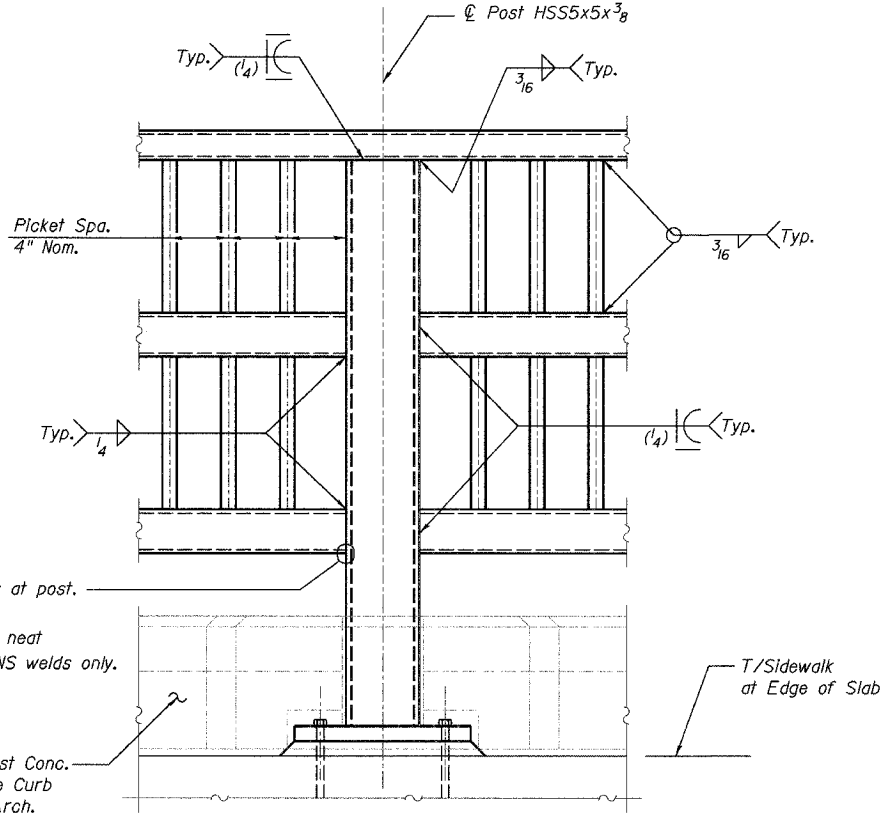
**SECTION F-F**  
N.T.S.



**SECTION E-E**  
N.T.S.

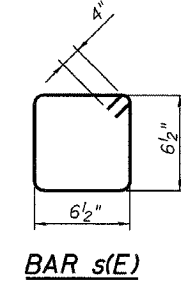


**SECTION C-C**  
N.T.S.

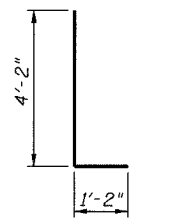


**SECTION D-D**  
(Looking at Sidewalk side)  
N.T.S.

DESIGNED	-	GWS
CHECKED	-	DWH
DRAWN	-	EF
CHECKED	-	DWH



**BAR s(E)**



**BAR d(E)**

**BILL OF MATERIAL**

Bar	No.	Size	Length	Shape
s(E)	140	#3	2'-10"	□
d(E)	210	#7	5'-4"	L
Concrete Structures			Cu. Yd.	2.2
Reinforcement Bars, Epoxy Coated			Pound	2440
Bridge Railing (Special)			Foot	416
Outlook Railing (Special)			Foot	140
Name Plate			Each	1

Reinforcement bars designated (E) shall be epoxy coated.

**NOTES**

- For Detail 1 See Sheet No. 85
- For Bridge Rail Notes See Sheet No. 83
- For Location of Sections A-A and C-C See Sheet No. 83

**BRIDGE RAIL DETAILS I**  
**WILSON ST OVER FOX RIVER**  
**SECTION 00-00059-00-BR**  
**KANE COUNTY**  
**STRUCTURE NO. 045-6051**

**LOCHNER**  
H.W. LOCHNER, INC., CHICAGO, ILLINOIS

9/14/2006 10:34:01 PM