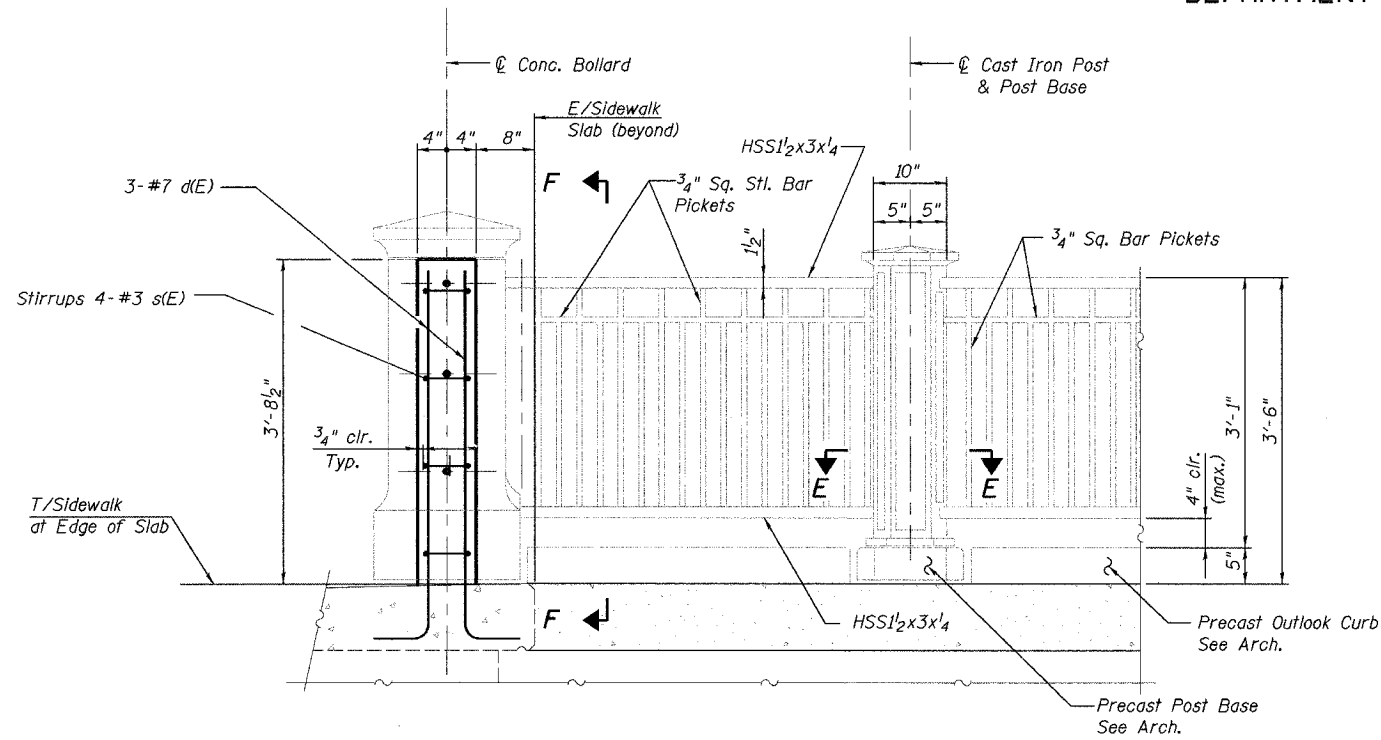


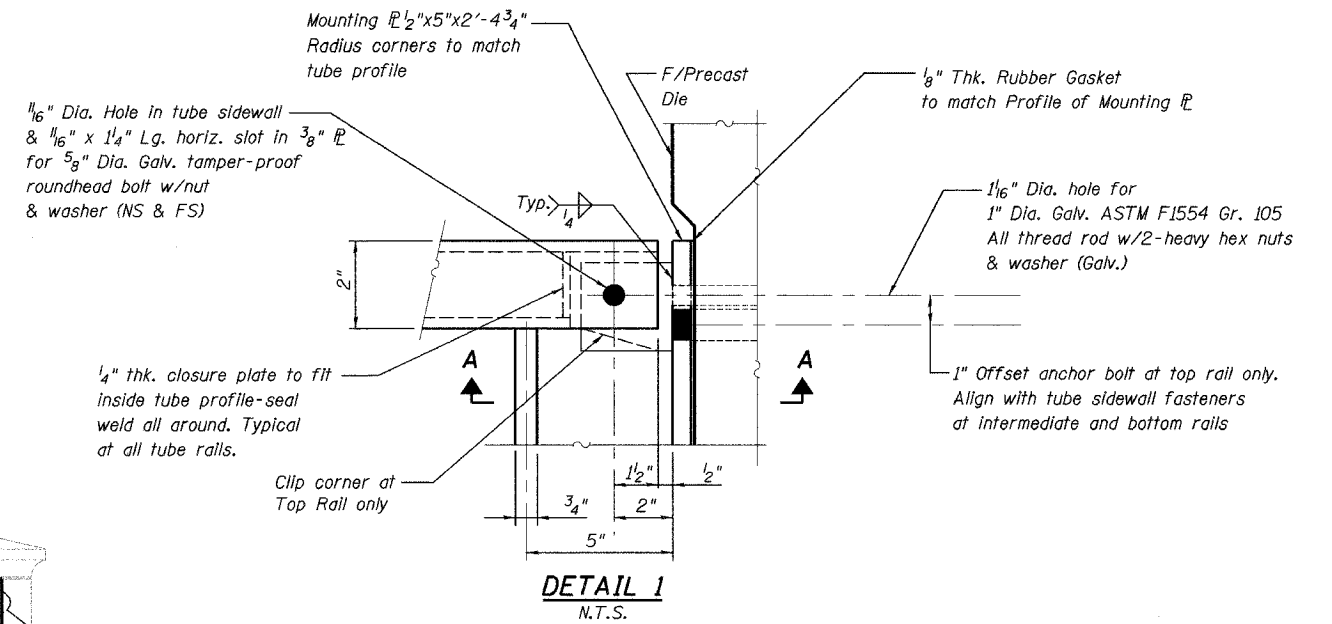
STATE OF ILLINOIS
DEPARTMENT OF TRANSPORTATION

ROUTE NO.	SECTION	COUNTY	LENGTH FEET	SHEET NO.	SHEET NO. S14 of S52 SHEETS
FAU 1441	00-00059-00-BR	KANE	154	85	
FED. ROAD DIST. NO. 7		ILLINOIS		FED. AID PROJECT	

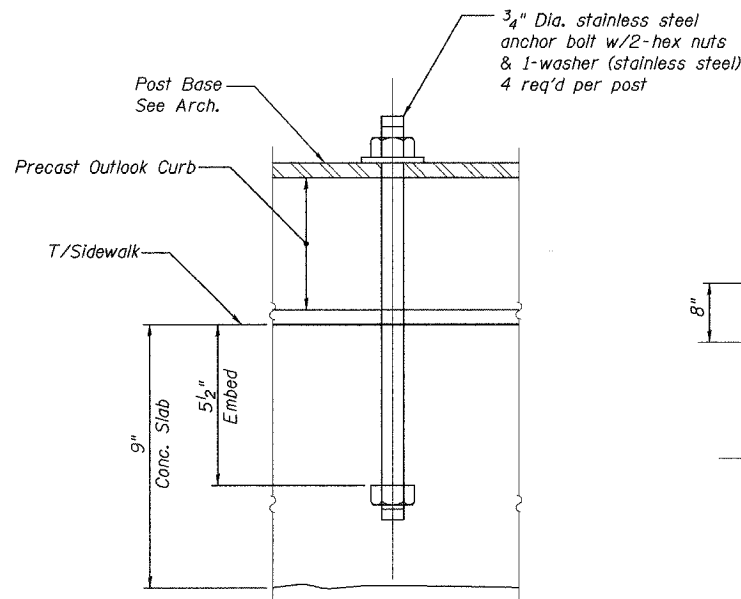
Contract # 83869



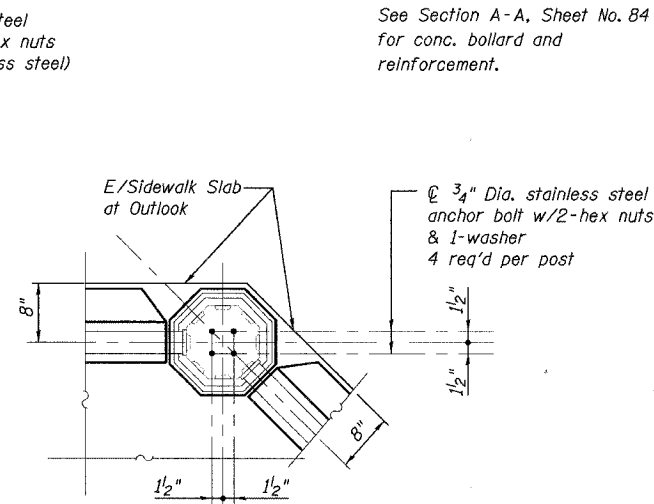
SECTION D-D
Scale: 1"=1'-0"



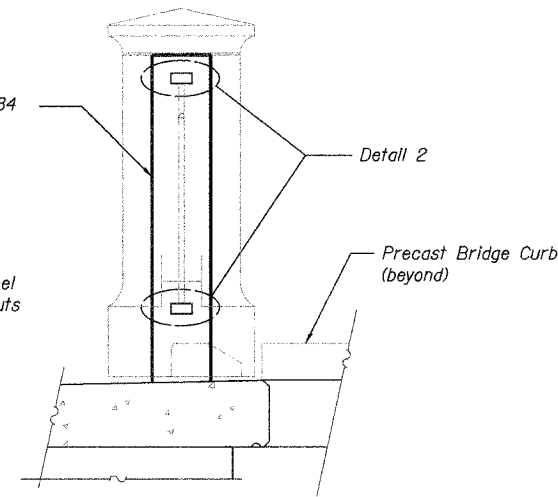
DETAIL 1
N.T.S.



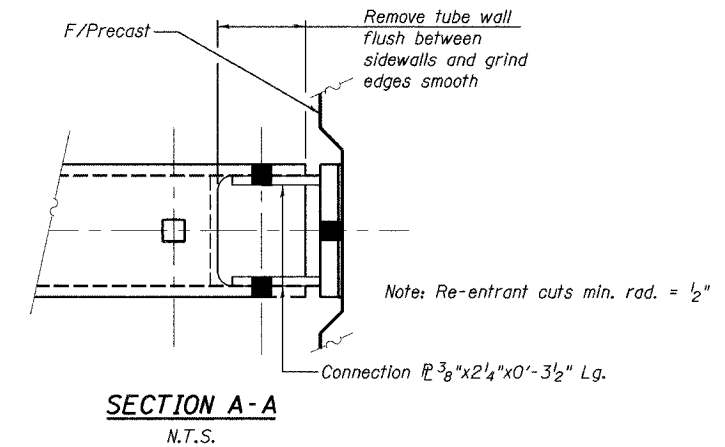
ANCHOR BOLT AT OUTLOOK POSTS



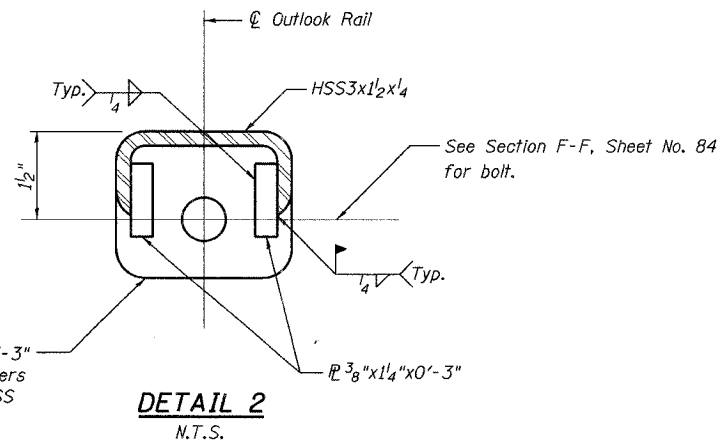
SECTION E-E
Scale: 1"=1'-0"



SECTION F-F
Scale: 1"=1'-0"



SECTION A-A
N.T.S.



DETAIL 2
N.T.S.

NOTES

1. For Bill of Material See Sheet No. 84
2. For Precast Dies, Bridge Curbs, Outlook Curbs and Post Bases See Arch.
3. For location of Section D-D See Sheet No. 83
4. For location of Detail 1 See Sheet No. 84

BRIDGE RAIL DETAILS II
WILSON ST OVER FOX RIVER
SECTION 00-00059-00-BR
KANE COUNTY
STRUCTURE NO. 045-6051

DESIGNED	-	GWS
CHECKED	-	DWH
DRAWN	-	EF
CHECKED	-	DWH

LOCHNER
H.W. LOCHNER, INC., CHICAGO, ILLINOIS