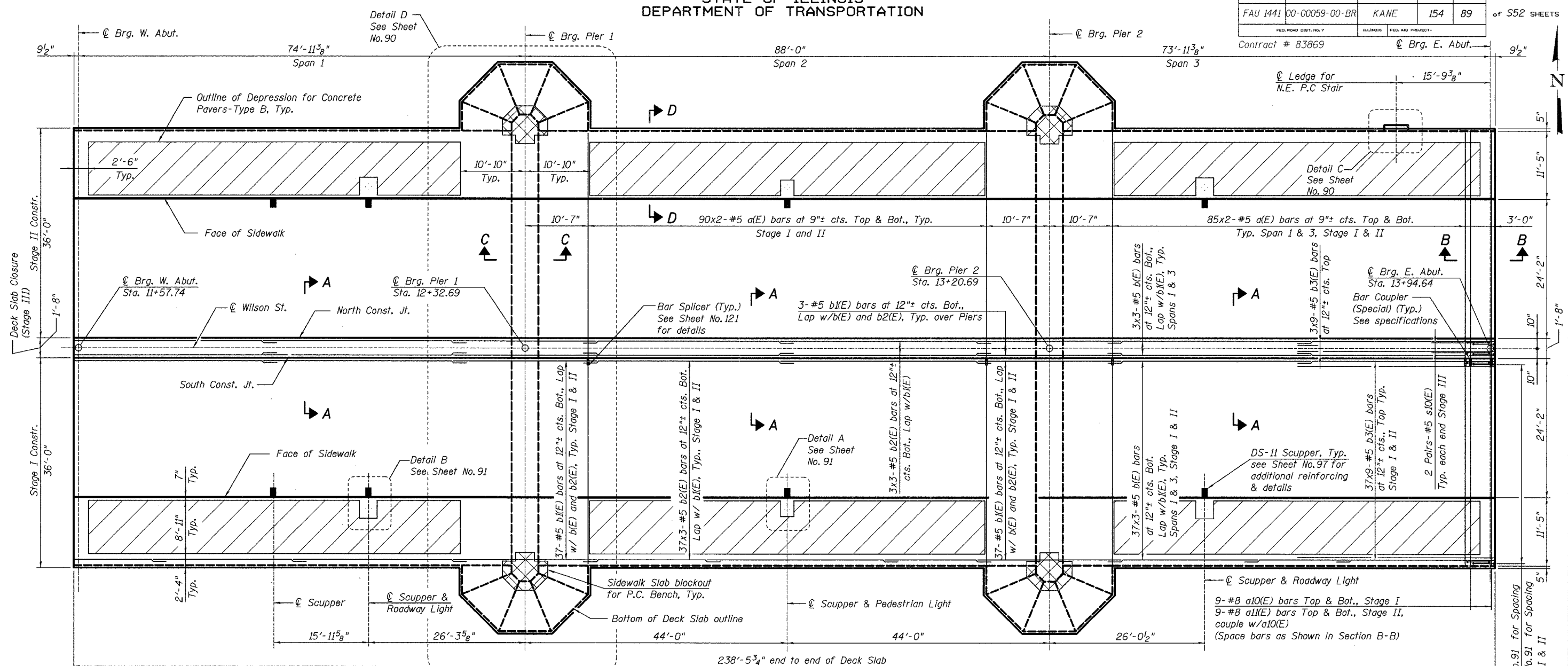


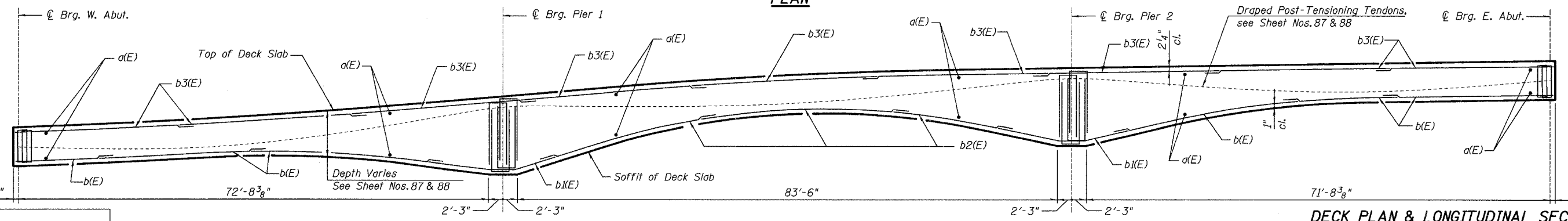
STATE OF ILLINOIS
DEPARTMENT OF TRANSPORTATION

ROUTE NO.	SECTION	COUNTY	DIST.	SHEET	SHEET NO. 518 of 552 SHEETS
FAU 1441	00-00059-00-BR	KANE	154	89	
FED. ROAD DIST. NO. 7		ILLINOIS		FED. AID PROJECT-	

Contract # 83869



PLAN



LONGITUDINAL SECTION

DESIGNED -	DWH
CHECKED -	KSS
DRAWN -	EF
CHECKED -	KSS

NOTES

1. Work this Sheet with Sheet No.'s 90 thru 93

DECK PLAN & LONGITUDINAL SECTION
WILSON ST OVER FOX RIVER
SECTION 00-00059-00-BR
KANE COUNTY
STRUCTURE NO. 045-6051

LOCHNER
H.W. LOCHNER, INC., CHICAGO, ILLINOIS

50 Pairs - #5 s10(E) See Sheet No.91 for Spacing
34 Triples - #5 s10(E) See Sheet No.91 for Spacing
Typ. Each End, Stage I & II