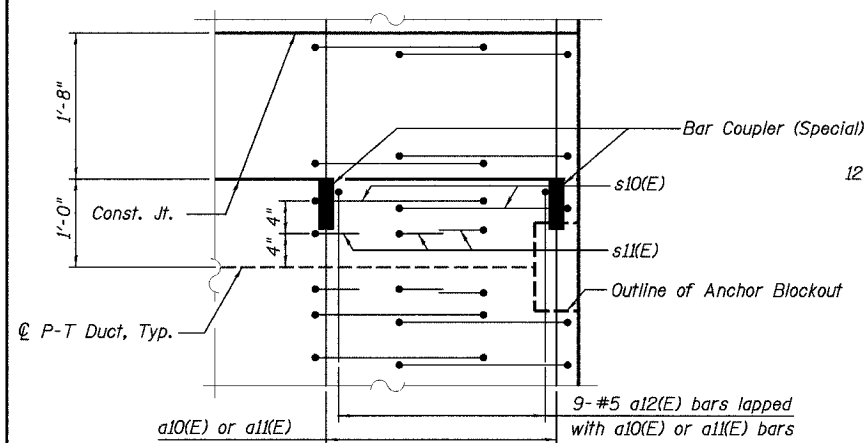
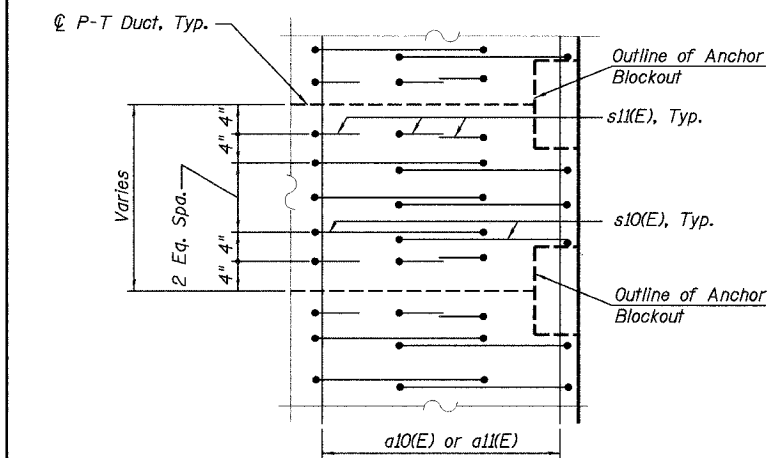


Contract # 83869

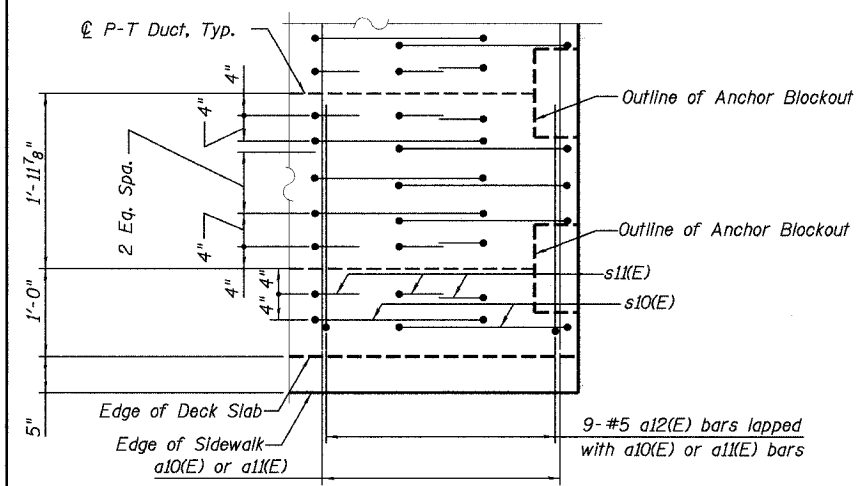
Note: Bars b30(E) thru b34(E) are typical in outer three panels of outlook.



TYPICAL SHEAR REINFORCEMENT AT ABUT. ADJACENT TO CONST. JT.

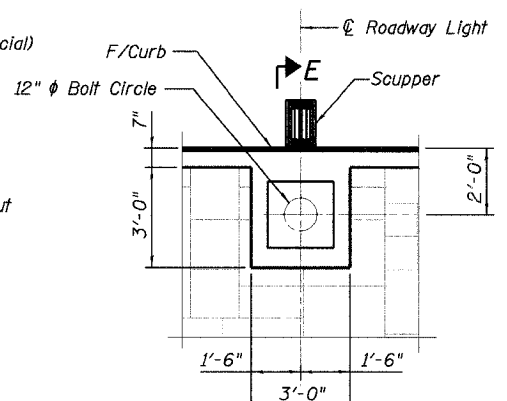


TYPICAL SHEAR REINFORCEMENT AT ABUT. BETWEEN P-T DUCTS

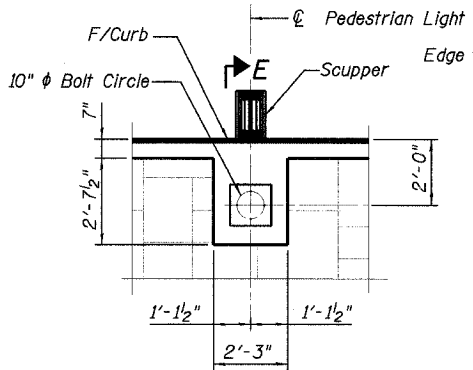


TYPICAL SHEAR REINFORCEMENT AT ABUT. ADJACENT TO OUTSIDE EDGE OF SUPERSTRUCTURE

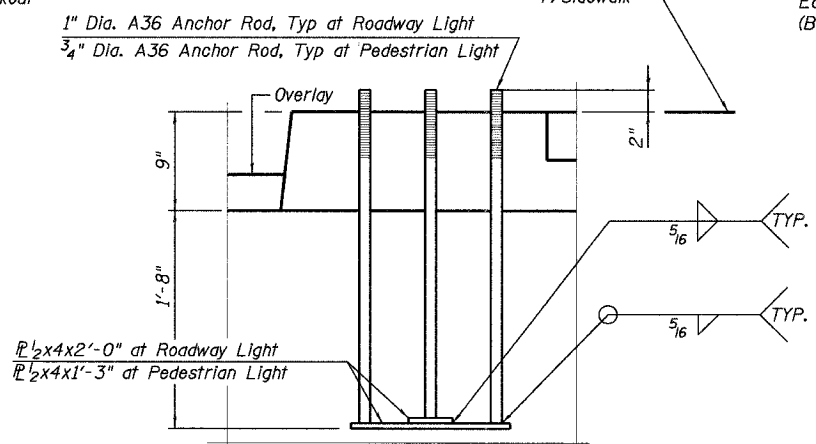
DESIGNED -	DWH
CHECKED -	KSS
DRAWN -	EF
CHECKED -	KSS



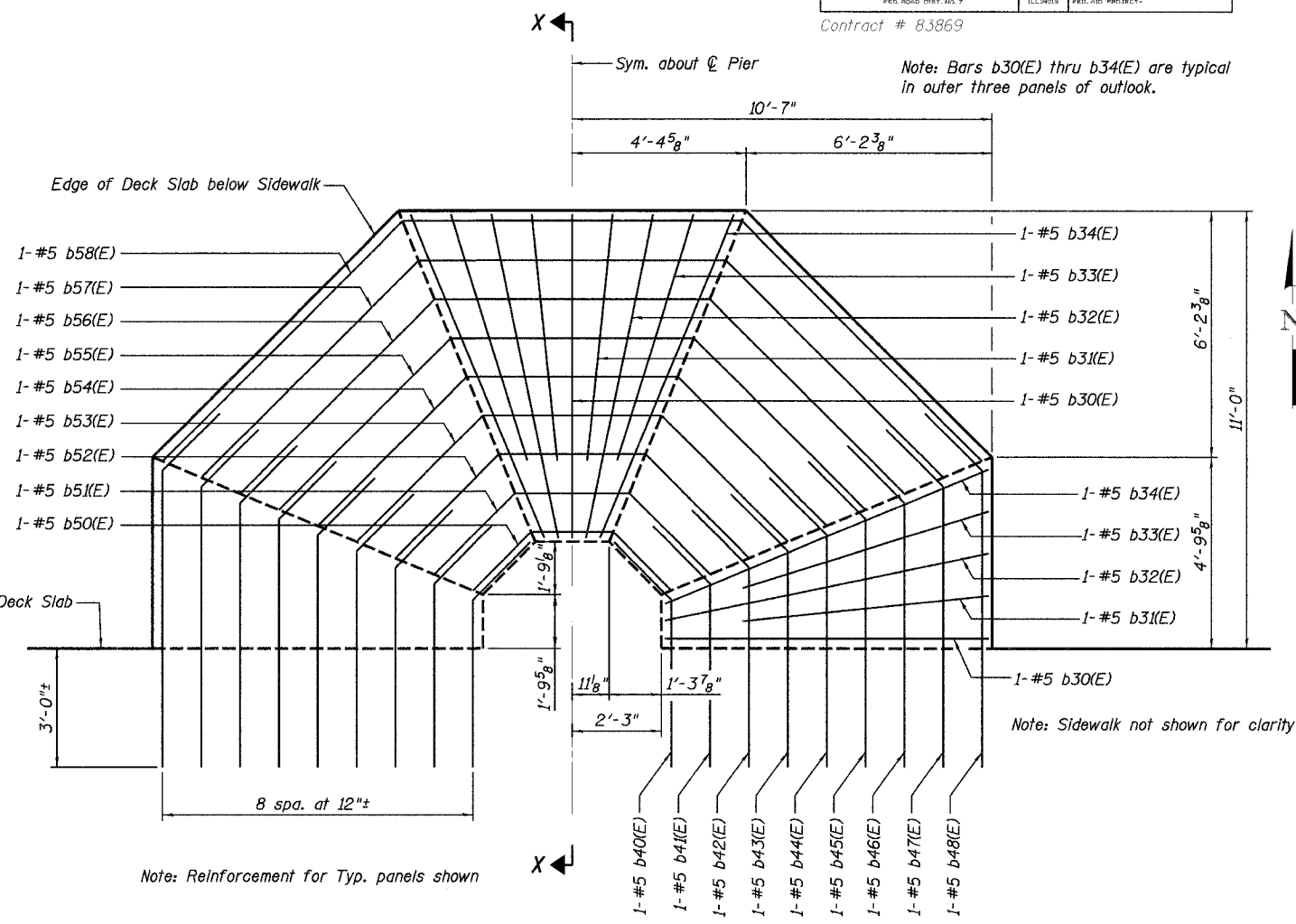
**DETAIL B
PLAN AT ROADWAY LIGHT**
Typ. at 4 Locations



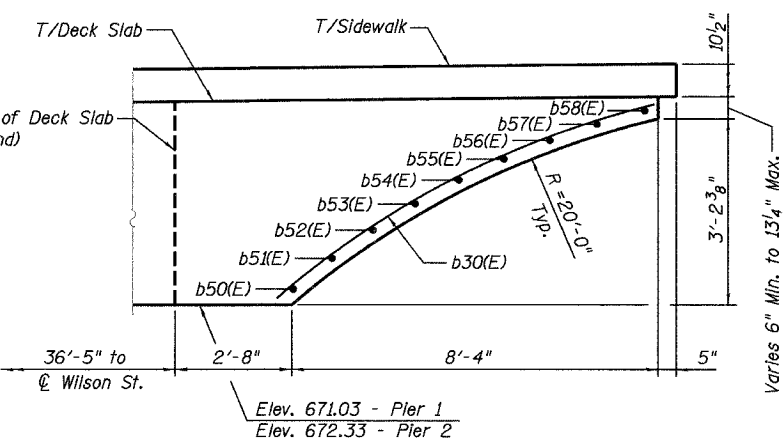
**DETAIL A
PLAN AT PEDESTRIAN LIGHT**
Typ. at 2 Locations



SECTION E-E



PLAN - TYP. BOTTOM REINFORCEMENT AT OUTLOOK



SECTION X-X

NOTE
Work this Sheet with Sheet No.'s 89, 90, 92 and 93

**DECK DETAILS II
WILSON ST OVER FOX RIVER
SECTION 00-00059-00-BR
KANE COUNTY
STRUCTURE NO. 045-6051**

LOCHNER
H.W. LOCHNER, INC., CHICAGO, ILLINOIS