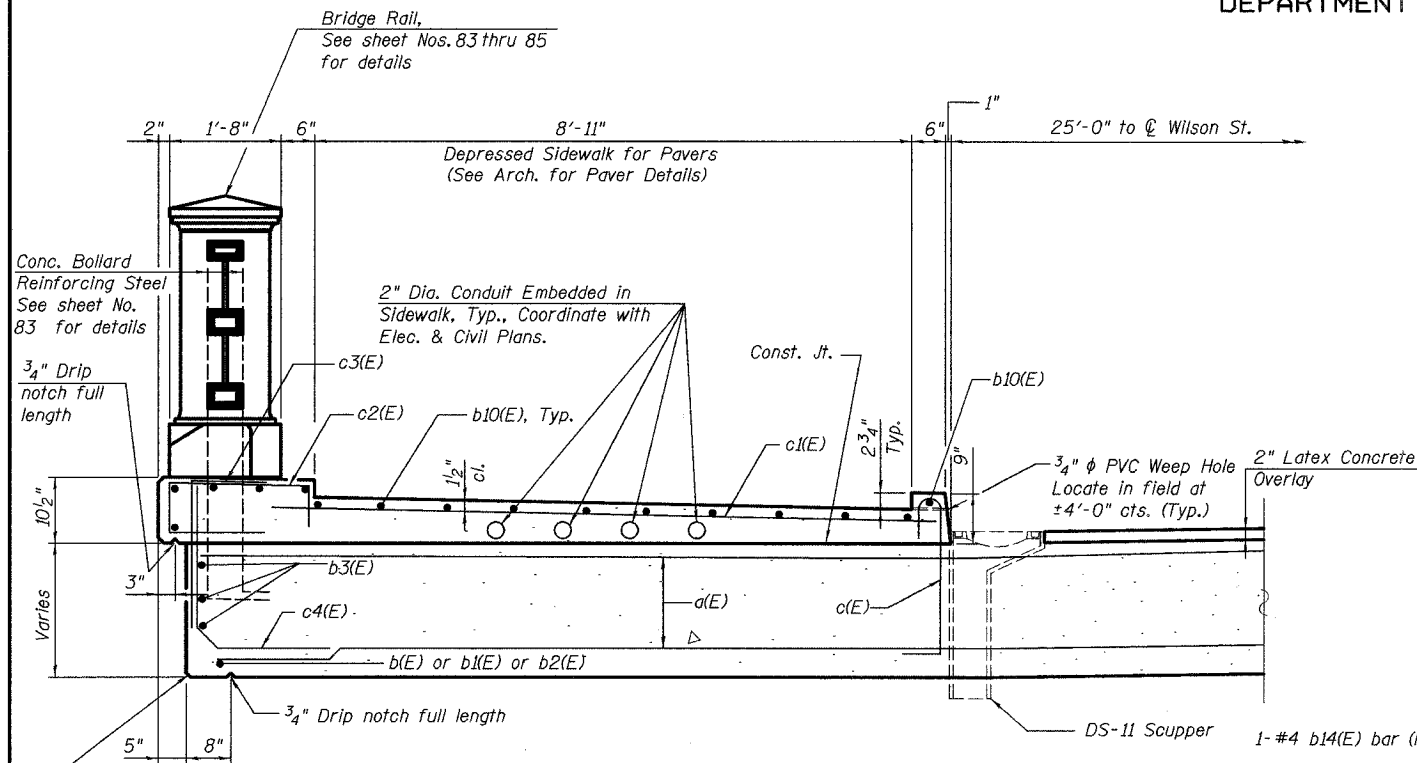


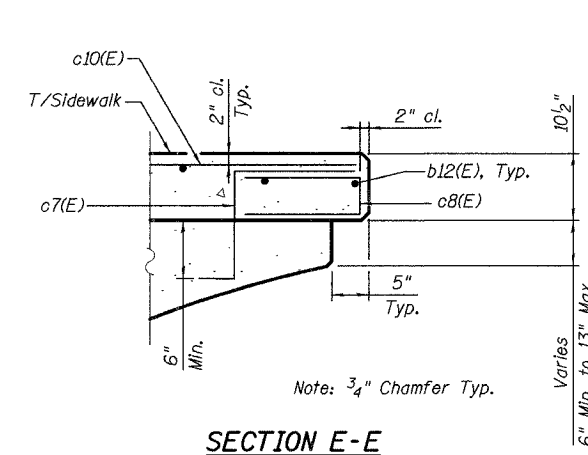
STATE OF ILLINOIS
DEPARTMENT OF TRANSPORTATION

ROUTE NO.	SECTION	COUNTY	SHEET NO.	SHEET	SHEET NO.
FAU 1441	00-00059-00-BR	KANE	154	92	of 552 SHEETS
FED. ROAD DIST. NO. 7		ILLINOIS		FED. AID PROJECT-	

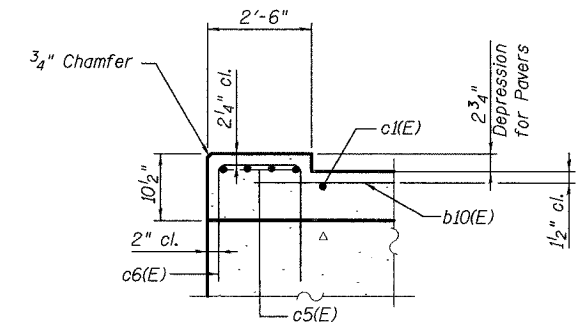
Contract # 83869



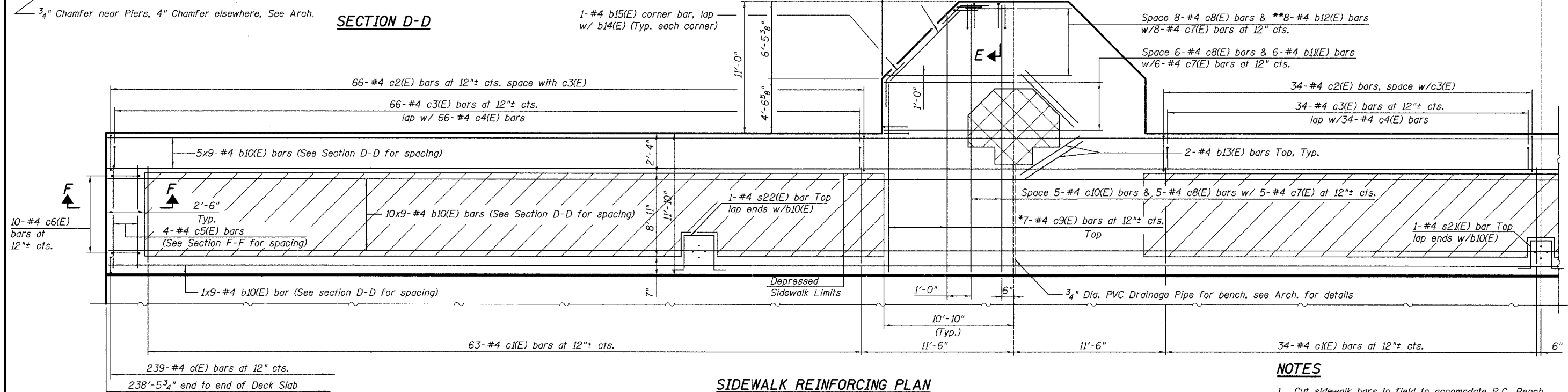
SECTION D-D



SECTION E-E



SECTION F-F



SIDEWALK REINFORCING PLAN

NOTES

1. Cut sidewalk bars in field to accommodate P.C. Bench Blockout. See arch. for blockout dimensions
2. Work this Sheet with Sheet No.'s 89 thru 91 and 93
3. PVC Weep Hole is included in "Concrete Superstructure" pay item.

DECK DETAILS III
WILSON ST OVER FOX RIVER
SECTION 00-00059-00-BR
KANE COUNTY
STRUCTURE NO. 045-6051

DESIGNED -	DWH
CHECKED -	KSS
DRAWN -	EF
CHECKED -	KSS

Note:
* Order c9(E) bars full length. Cut to fit as shown in bar cutting diagram on Sheet 93. Use remainder of bars in Opposite side of Pier.
** Order b12(E) bars full length. Cut to fit as shown in bar cutting diagram on Sheet 93. Use remainder of bars in Pier 2 Outlook.

LEGEND

- Designates Depressed Sidewalk Area for Concrete Pavers
- Designates Sidewalk Blockout for P.C. Bench

LOCHNER
H.W. LOCHNER, INC., CHICAGO, ILLINOIS