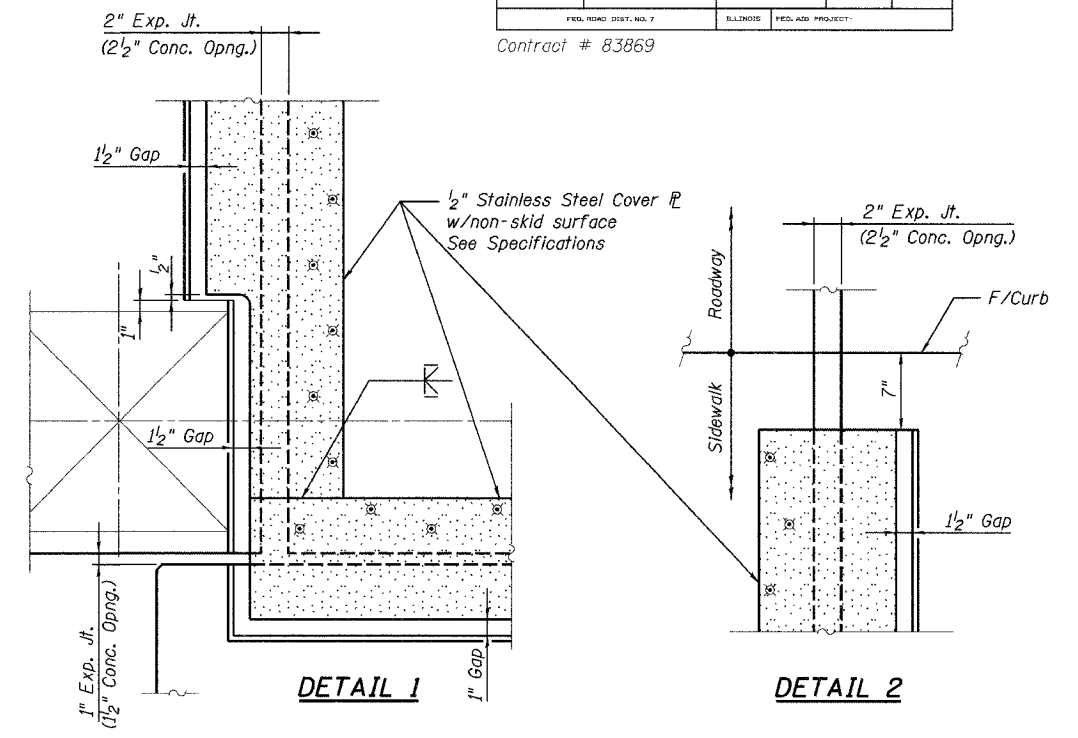
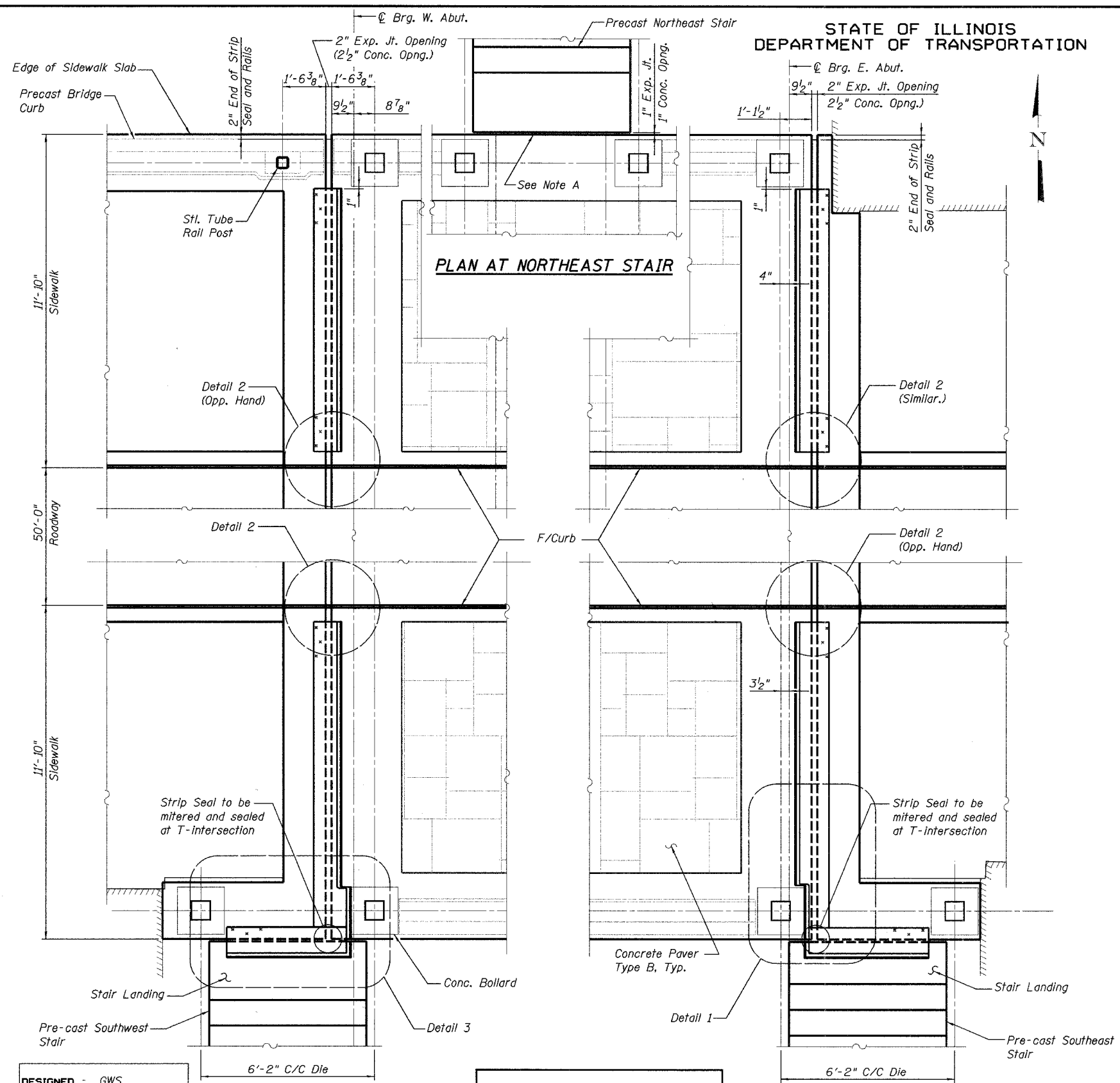


STATE OF ILLINOIS
DEPARTMENT OF TRANSPORTATION

ROUTE NO.	SECTION	COUNTY	TOTAL SHEETS	SHEET NO.
FAU 1441	00-00059-00-BR	KANE	154	110
FED. ROAD DIST. NO. 7		ILLINOIS	FED. AID PROJECT	

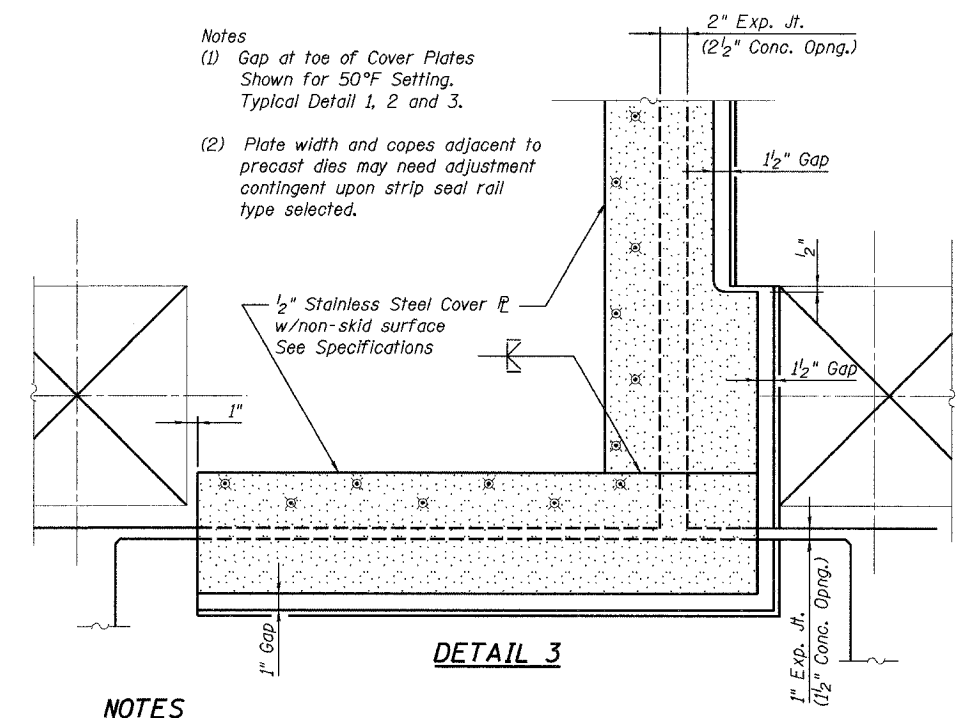
Contract # 83869

SHEET NO. S39
of S52 SHEETS



Notes

- (1) Gap at toe of Cover Plates Shown for 50°F Setting. Typical Detail 1, 2 and 3.
- (2) Plate width and copes adjacent to precast dies may need adjustment contingent upon strip seal rail type selected.



NOTES

1. For Architectural Precast Stairs See Arch.
2. Coordinate exp. jt. embeds w/Arch. Precast Stair, Southeast and Southwest.
3. For Precast Die and Bridge Rail See Sheet No.83

EXPANSION JOINT DETAILS I
WILSON ST OVER FOX RIVER
SECTION 00-00059-00-BR
KANE COUNTY
STRUCTURE NO. 045-6051

DESIGNED - GWS
CHECKED - DWH
DRAWN - EF
CHECKED - DWH

Note A. Install neoprene sponge joint for 1" nominal opening. Cost is incidental to Strip Seal Expansion Joint (Special)

LOCHNER
H.W. LOCHNER, INC., CHICAGO, ILLINOIS

9/14/2006 6:07:58 PM