

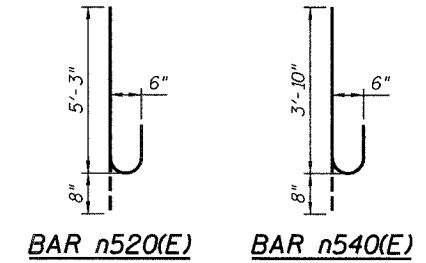
Contract # 83869

BILL OF MATERIAL

Bar	No.	Size	Length	Shape
n520(E)	20	#4	4'-4"	—
h540(E)	40	#4	14'-2"	—
n520(E)	24	#6	5'-11"	—
n540(E)	60	#6	4'-6"	—
t520(E)	12	#6	6'-3"	—
t540(E)	30	#6	6'-3"	—
v540(E)	60	#6	8'-7"	—
w520(E)	14	#4	4'-4"	—
w540(E)	14	#4	14'-2"	—
Concrete Structures			Cu. Yd.	15.2
Reinforcement Bars, Epoxy Coated			Pound	2400
Structure Excavation			Cu. Yd.	88
Rock Excavation for Structures			Cu. Yd.	7

Typ. Lap Splice	
Bar Size	Min. Lap
#5	2'-2"
#5*	3'-0"*
#6	2'-7"
#7	3'-5"
#8	4'-6"

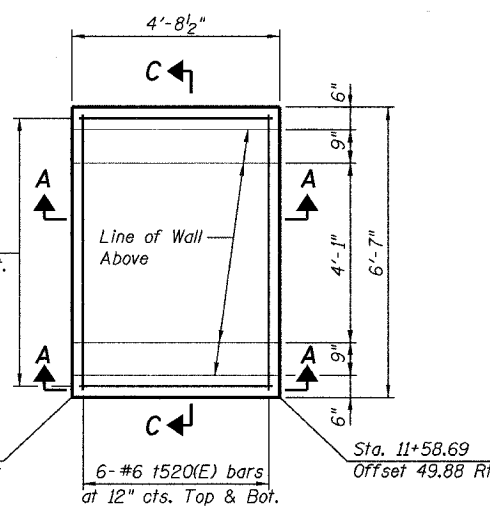
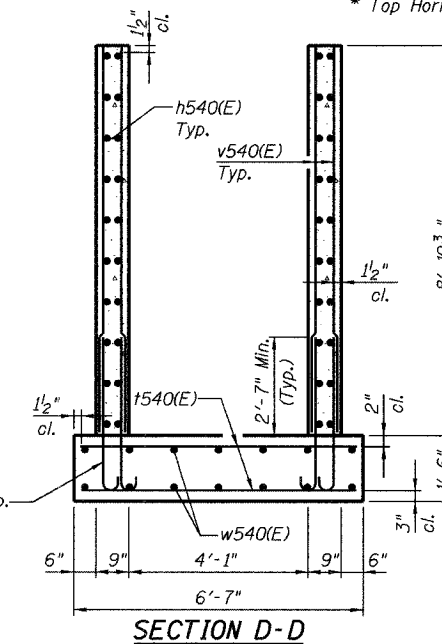
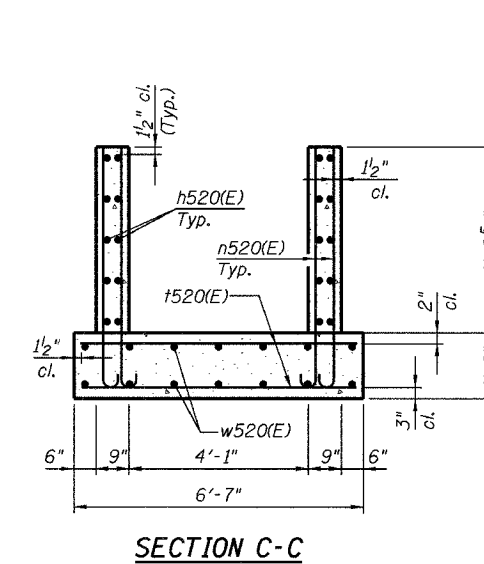
* Top Horizontal Bar



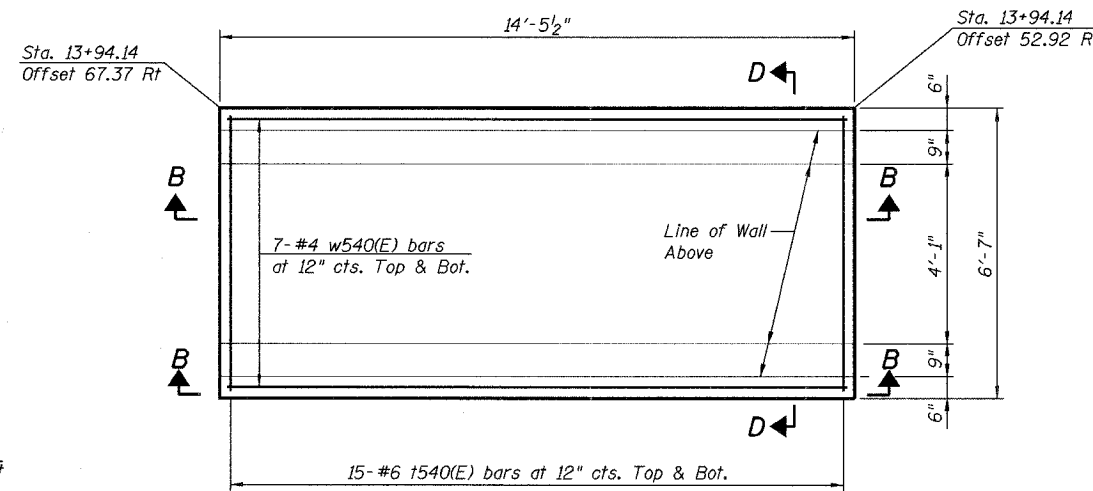
NOTES

1. Reinforcement bars designated (E) shall be epoxy coated.
2. Refer to Architectural sheets for stair details.
3. Bedrock elevations are based on available soil boring data and are approximate. It shall be the contractor's responsibility to verify the actual bedrock elevations in the field and make necessary approved adjustments prior to construction or ordering of materials. Such variations shall not be cause for additional compensation for a change in scope of work, however, the contractor will be paid for the quantity actually furnished at the unit price for the work.
4. See specifications for information regarding protection of existing buildings and structures.

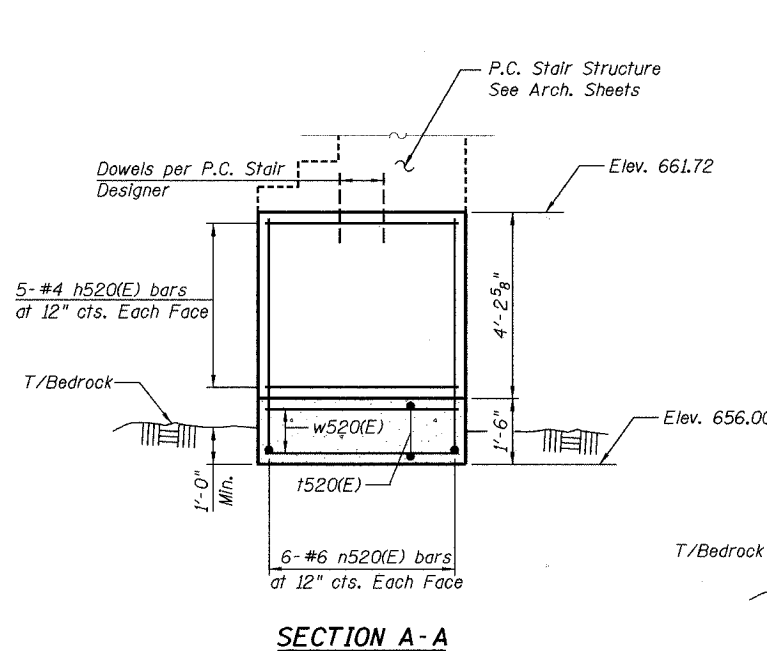
STAIR FOUNDATIONS
WILSON ST OVER FOX RIVER
SECTION 00-00059-00-BR
KANE COUNTY
STRUCTURE NO. 045-6051



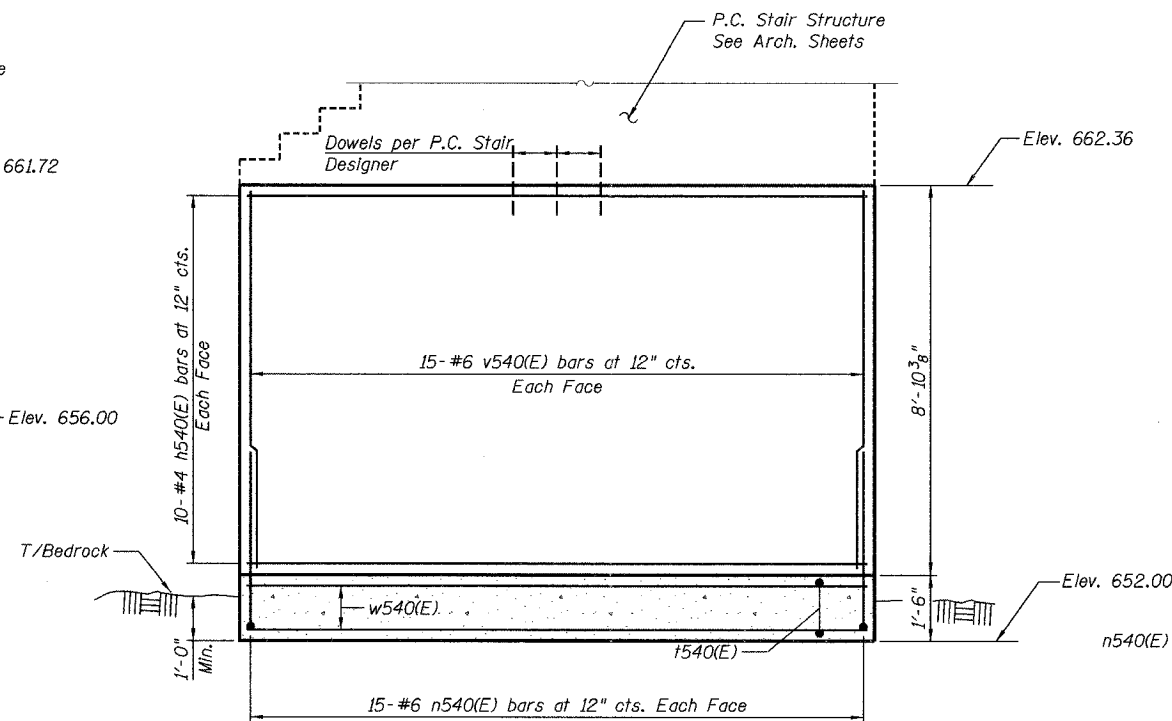
PLAN - SW STAIR FOUNDATION



PLAN - SE STAIR FOUNDATION



SECTION A-A



SECTION B-B

DESIGNED -	BJN
CHECKED -	DWH
DRAWN -	BJN/EF
CHECKED -	DWH

LOCHNER
H.W. LOCHNER, INC., CHICAGO, ILLINOIS