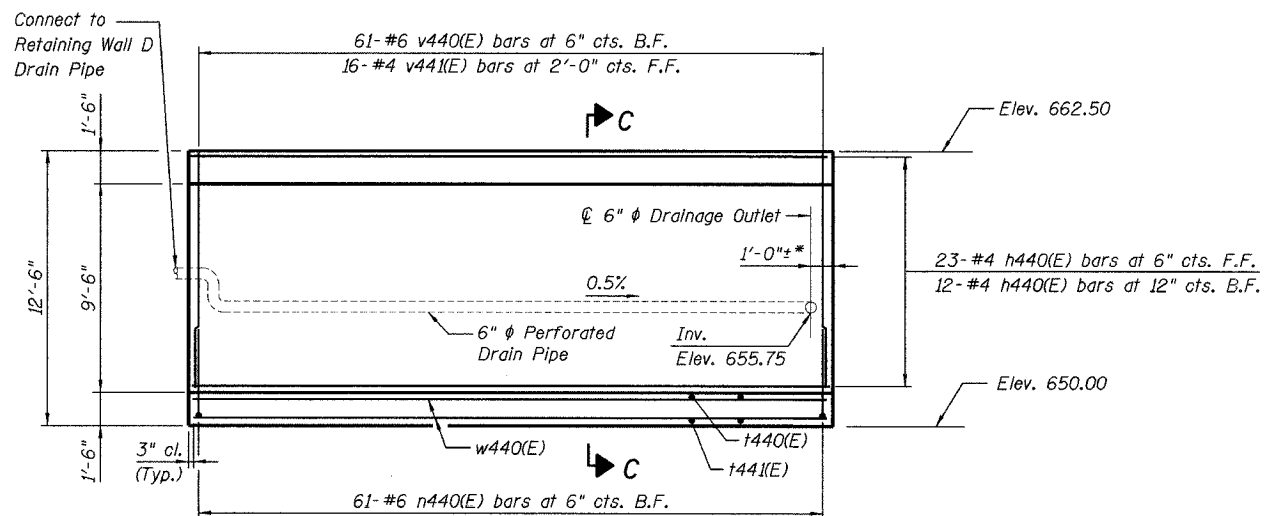


STATE OF ILLINOIS
DEPARTMENT OF TRANSPORTATION

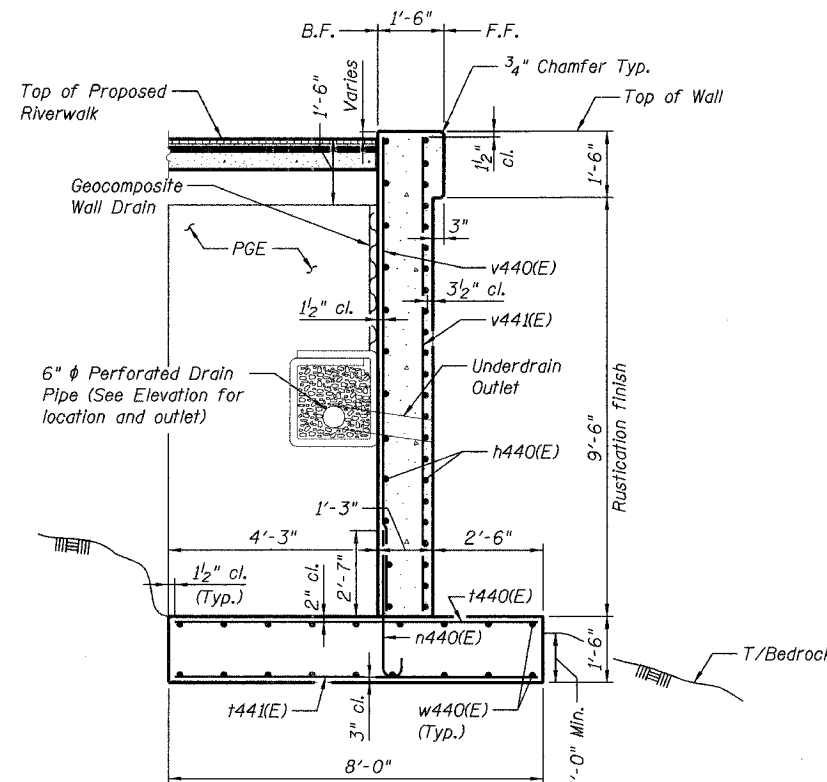
ROUTE NO.	SECTION	COUNTY	TOTAL SHEETS	SHEET NO.	SHEET NO. 544 of 552 SHEETS
FAU 1441	00-00059-00-BR	KANE	154	115	
FED. ROAD DIST. NO. 7		ILLINOIS	FED. AID PROJECT-		

Contract # 83869

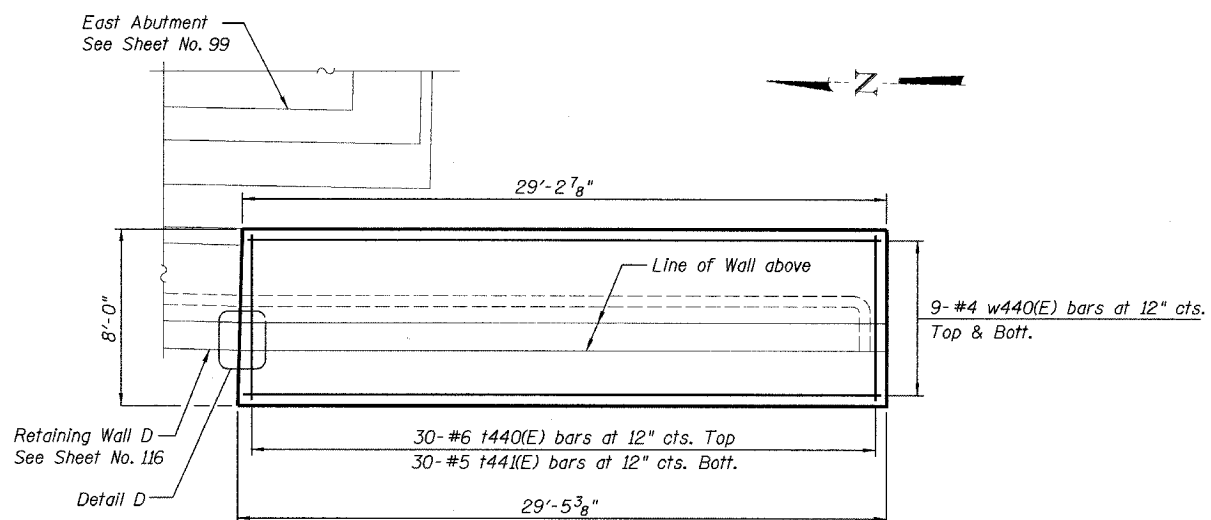


ELEVATION
(Looking East)

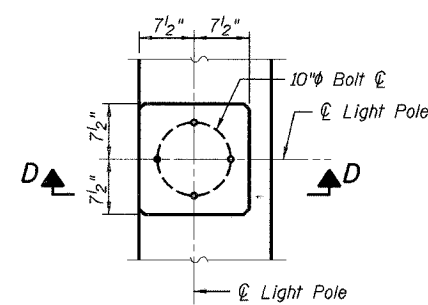
* Space outlet to miss reinforcing steel.



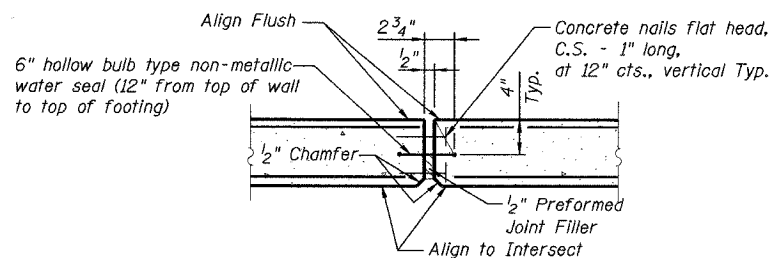
SECTION C-C



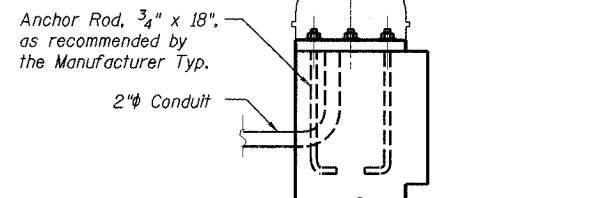
PLAN



TYPICAL PLAN AT PEDESTRIAN LIGHT POLE



DETAIL D



SECTION D-D

BILL OF MATERIAL

Bar	No.	Size	Length	Shape
n440(E)	35	#4	29'-0"	—
n440(E)	61	#6	4'-8"	—
v440(E)	30	#6	7'-9"	—
v441(E)	30	#5	7'-9"	—
v440(E)	61	#6	10'-9"	—
v441(E)	16	#4	10'-9"	—
w440(E)	18	#4	28'-11"	—
Concrete Structures				
Reinforcement Bars, Epoxy Coated			Cu. Yd.	28.4
Porous Granular Embankment			Pound	3150
Structure Excavation			Cu. Yd.	47
Rock Excavation for Structures			Cu. Yd.	57
Pipe Underdrains for Structures 6"			Foot	25
Type I Rustication Finish (Special)			Sq. Ft.	34
Geocomposite Wall Drain			Sq. Yd.	280
				16

Typ. Lap Splice

Bar Size	Min. Lap
#4	1'-8"
#5	2'-2"
#5*	3'-0"*
#6	2'-7"
#7	3'-5"
#8	4'-6"

* Top Horizontal Bar

NOTES

1. Reinforcement bars designated (E) shall be epoxy coated.
2. F.F. denotes Front Face
B.F. denotes Back Face
3. Top of wall shall support Pedestrian Light Poles per Electrical Sheets. See Typical Plan at Pedestrian Light Pole and Section D-D.
4. Bedrock elevations are based on available soil boring data and are approximate. It shall be the contractor's responsibility to verify the actual bedrock elevations in the field and make necessary approved adjustments prior to construction or ordering of materials. Such variations shall not be cause for additional compensation for a change in scope of work, however, the contractor will be paid for the quantity actually furnished at the unit price for the work.
5. See Arch. Plans for Detail of Rustication Finish, Type 1.
6. See Specifications for information regarding protection of existing buildings and structures.

RETAINING WALL C
WILSON ST OVER FOX RIVER
SECTION 00-00059-00-BR
KANE COUNTY
STRUCTURE NO. 045-6051

LOCHNER
H.W. LOCHNER, INC., CHICAGO, ILLINOIS

DESIGNED -	DWH
CHECKED -	BJN
DRAWN -	BJN/EF
CHECKED -	JSD