

STATE OF ILLINOIS
DEPARTMENT OF TRANSPORTATION

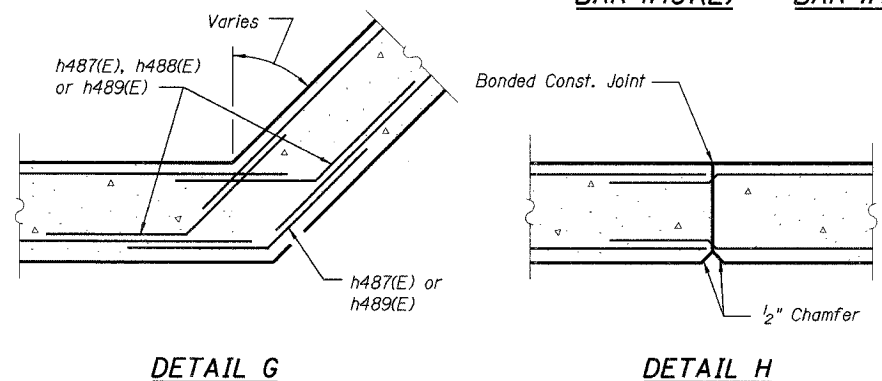
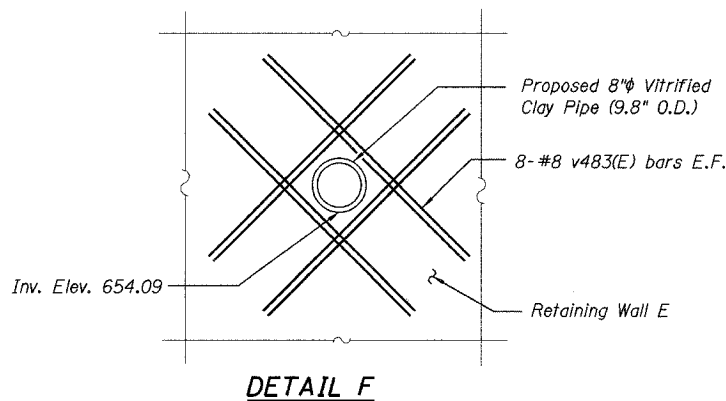
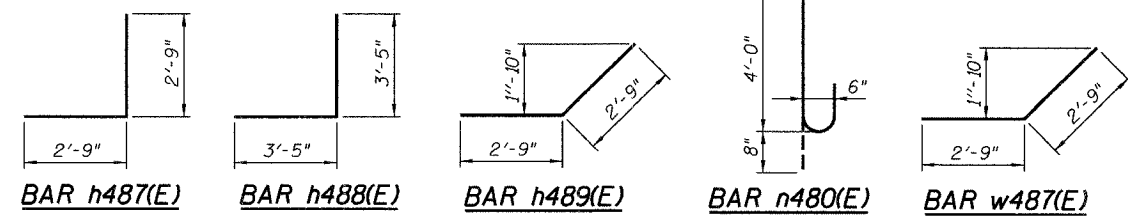
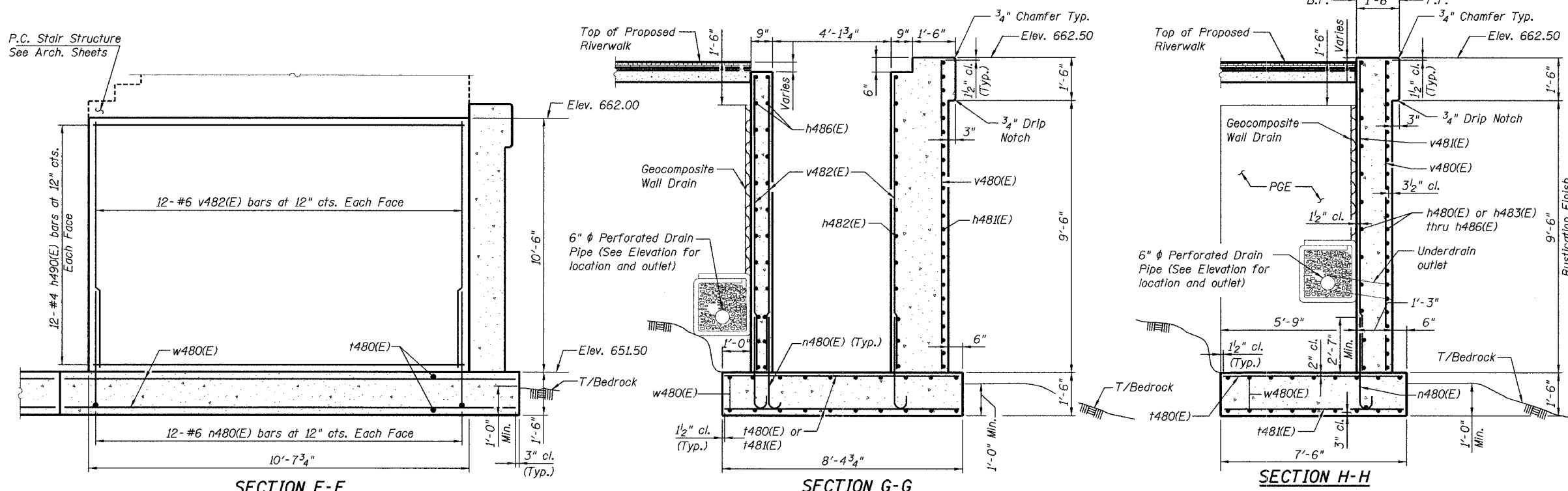
ROUTE NO.	SECTION	COUNTY	TOTAL SHEETS	SHEET NO.
FAU 1441	00-00059-00-BR	KANE	154	118
FED. ROAD DIST. NO. 7	ALLIANCE	FED. AID PROJECT		

SHEET NO. S47
of S52 SHEETS

Contract # 83869

BILL OF MATERIAL

Bar	No.	Size	Length	Shape
h480(E)	70	#4	28'-10"	
h481(E)	23	#4	12'-2"	
h482(E)	12	#4	11'-4"	
h483(E)	35	#4	6'-4"	
h484(E)	35	#4	3'-3"	
h485(E)	35	#4	15'-8"	
h486(E)	35	#4	6'-9"	
h487(E)	71	#4	5'-6"	
h488(E)	24	#4	6'-10"	
h489(E)	47	#4	5'-6"	
h490(E)	24	#4	10'-5"	
n480(E)	227	#6	4'-8"	
t480(E)	150	#6	7'-3"	
t481(E)	78	#5	7'-3"	
t482(E)	24	#6	8'-1"	
t483(E)	13	#5	8'-1"	
t484(E)	4	#6	12'-10"	
t485(E)	3	#5	12'-10"	
t486(E)	15	#6	7'-10"	
t487(E)	7	#5	7'-10"	
v480(E)	57	#4	10'-9"	
v481(E)	179	#6	10'-9"	
v482(E)	48	#6	10'-3"	
v483(E)	16	#8	5'-4"	
w480(E)	36	#4	28'-9"	
w481(E)	2	#4	16'-11"	
w482(E)	6	#4	19'-1"	
w483(E)	12	#4	15'-0"	
w484(E)	10	#4	5'-5"	
w485(E)	18	#4	15'-11"	
w486(E)	18	#4	6'-11"	
w487(E)	2	#4	5'-6"	
Concrete Structures		Cu. Yd.	92.2	
Reinforcement Bars, Epoxy Coated		Pound	13150	
Porous Granular Embankment		Cu. Yd.	172	
Structure Excavation		Cu. Yd.	168	
Rock Excavation for Structures		Cu. Yd.	80	
Pipe Underdrains for Structures 6"		Foot	105	
Type I Rustication Finish (Special)		Sq. Ft.	865	
Geocomposite Wall Drain		Sq. Yd.	50	



- NOTES**
- Reinforcement bars designated (E) shall be epoxy coated.
 - F.F. denotes Front Face. B.F. denotes Back Face. E.F. denotes Each Face.
 - For location of Sections F-F, G-G, and H-H see Sheet No. 117
 - For location of Details F, G, and H see Sheet No. 117
 - Work this sheet with Sheet No. 117
 - Bedrock elevations are based on available soil boring data and are approximate. It shall be the contractor's responsibility to verify the actual bedrock elevations in the field and make necessary approved adjustments prior to construction or ordering of materials. Such variations shall not be cause for additional compensation for a change in scope of work, however, the contractor will be paid for the quantity actually furnished at the unit price for the work.
 - See Arch. Plans for Detail of Rustication Finish, Type 1.
 - See Specifications for information regarding protection of existing buildings and structures.

DESIGNED - DWH
CHECKED - BJN
DRAWN - BJN/EF
CHECKED - JSD

Typ. Lap Splice	
Bar Size	Min. Lap
#4	1'-8"
#5	2'-2"
#5*	3'-0"*
#6	2'-7"
#7	3'-5"
#8	4'-6"

* Top Horizontal Bar

RETAINING WALL E DETAILS
WILSON ST OVER FOX RIVER
SECTION 00-00059-00-BR
KANE COUNTY
STRUCTURE NO. 045-6051

LOCHNER
H.W. LOCHNER, INC., CHICAGO, ILLINOIS