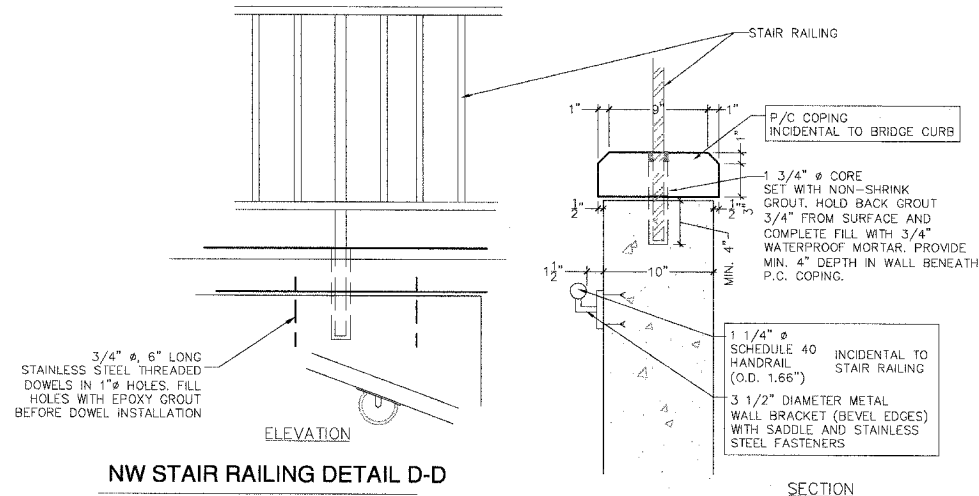
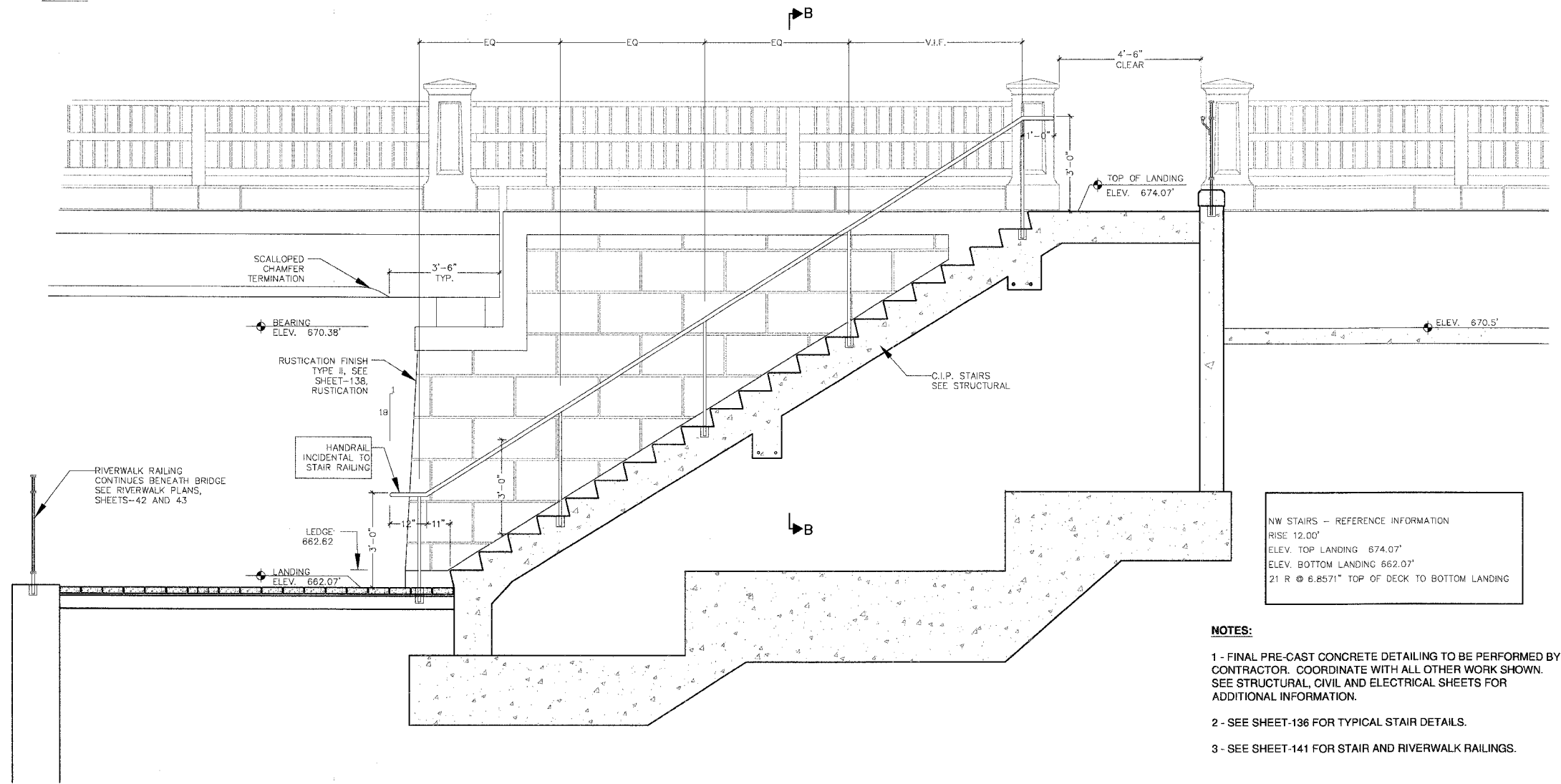
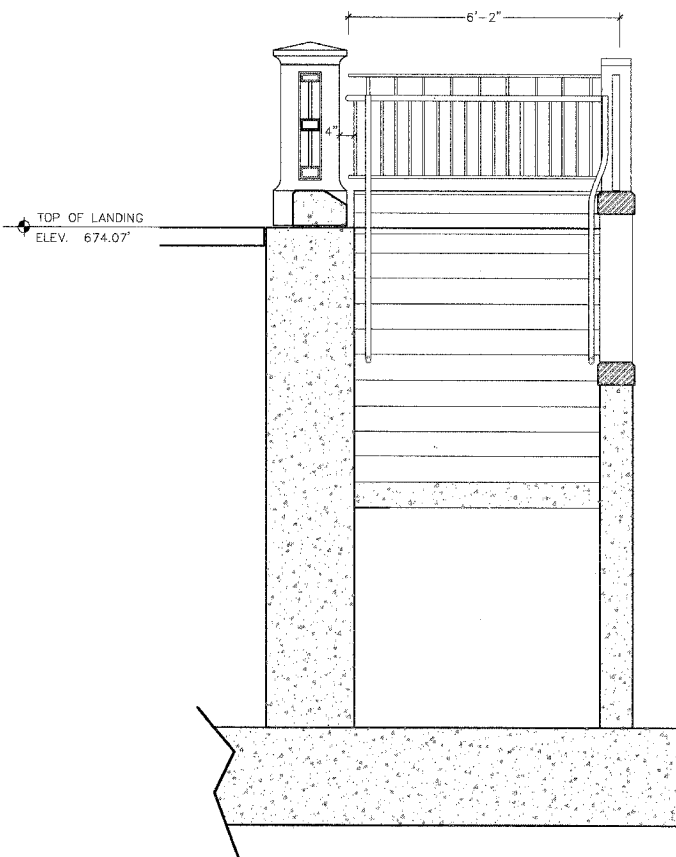


F.A.L. RTE.	SECTION	COUNTY	TOTAL SHEETS	SHEET NO.
1441	00-00059-00-BR	KANE	154	129
STA. _____		TO STA. _____		
FED. ROAD DIST. NO. _____		ILLINOIS FED. AID PROJECT		



NW STAIR RAILING DETAIL D-D
SCALE: 1/2" = 1'-0"
SEE SHEET-128 FOR PLAN LOCATION



NW STAIRS - REFERENCE INFORMATION
RISE 12.00'
ELEV. TOP LANDING 674.07'
ELEV. BOTTOM LANDING 662.07'
21 R @ 6.8571" TOP OF DECK TO BOTTOM LANDING

- NOTES:**
- 1 - FINAL PRE-CAST CONCRETE DETAILING TO BE PERFORMED BY CONTRACTOR. COORDINATE WITH ALL OTHER WORK SHOWN. SEE STRUCTURAL, CIVIL AND ELECTRICAL SHEETS FOR ADDITIONAL INFORMATION.
 - 2 - SEE SHEET-136 FOR TYPICAL STAIR DETAILS.
 - 3 - SEE SHEET-141 FOR STAIR AND RIVERWALK RAILINGS.

REVISIONS	
NAME	DATE

ILLINOIS DEPARTMENT OF TRANSPORTATION
WILSON STREET
STAIR DETAILS
NORTH WEST 2

SCALE: VARIES
DATE: 07.28.2006
DRAWN BY: BRJ / JA
CHECKED BY: BRJ / LL



PLOT DATE = \$DATE\$
PLOT SCALE = \$SCALE\$
PLOT NAME = \$NAME\$
USER NAME = \$USER\$