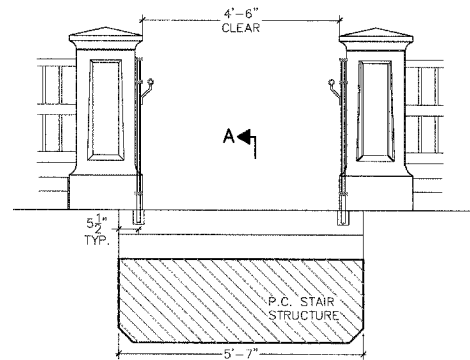
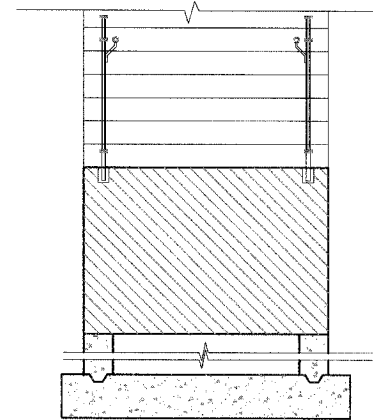


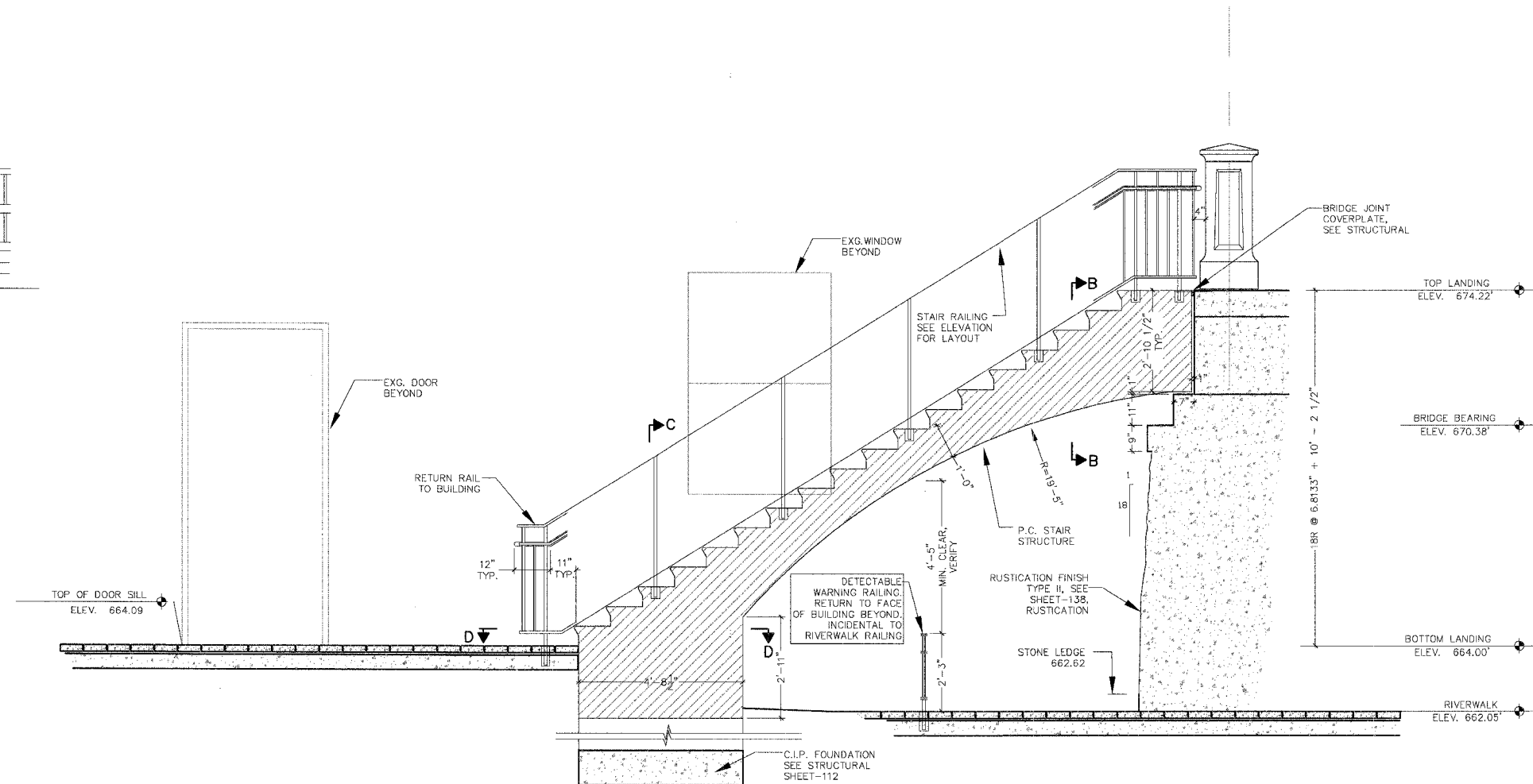
F.A.J. RTE.	SECTION	COUNTY	TOTAL SHEETS	SHEET NO.
1441	00-00059-00-BR	KANE	154	131
STA. _____		TO STA. _____		
FED. ROAD DIST. NO. _____		ILLINOIS FED. AID PROJECT		



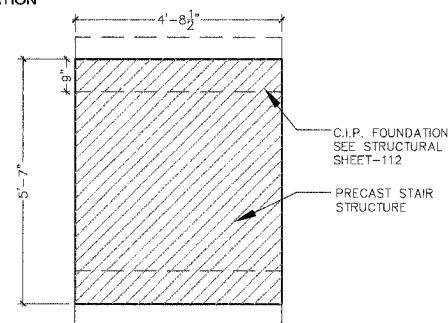
**SW STAIR SECTION B-B**  
SCALE: 1/2" = 1' - 0"



**SW STAIR SECTION C-C**  
SCALE: 1/2" = 1' - 0"



**SW STAIR SECTION A-A**  
SCALE: 1/2" = 1' - 0"  
SEE SHEET 130 FOR PLAN LOCATION



**SW STAIR FOUNDATION PLAN D-D**  
SCALE: 1/2" = 1' - 0"  
SEE SHEET-112 FOR STRUCTURAL INFORMATION

SW STAIRS - REFERENCE INFORMATION	
RISE	10.22'
ELEV. TOP OF DECK	674.22'
ELEV. BOTTOM LANDING	664.00'
18 R @	6.8133"

- NOTES:**
- 1 - FINAL PRE-CAST CONCRETE DETAILING TO BE PERFORMED BY CONTRACTOR. COORDINATE WITH ALL OTHER WORK SHOWN. SEE STRUCTURAL, CIVIL AND ELECTRICAL SHEETS FOR ADDITIONAL INFORMATION.
  - 2 - SEE SHEET-136 FOR TYPICAL STAIR DETAILS.
  - 3 - SEE SHEET-141 FOR STAIR AND RIVERWALK RAILINGS.

REVISIONS	
NAME	DATE

ILLINOIS DEPARTMENT OF TRANSPORTATION  
WILSON STREET  
STAIR DETAILS  
SOUTH WEST 2

SCALE: VARIES  
DATE: 07.28.2006

DRAWN BY: BRJ / JA  
CHECKED BY: BRJ / LL



PLOT DATE = \$DATE\$  
FILE NAME = \$FILEL\$  
PLOT SCALE = \$SCALE\$  
USER NAME = \$USER\$