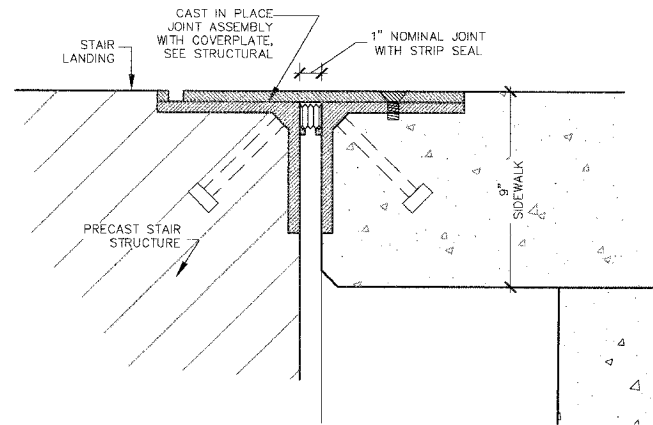
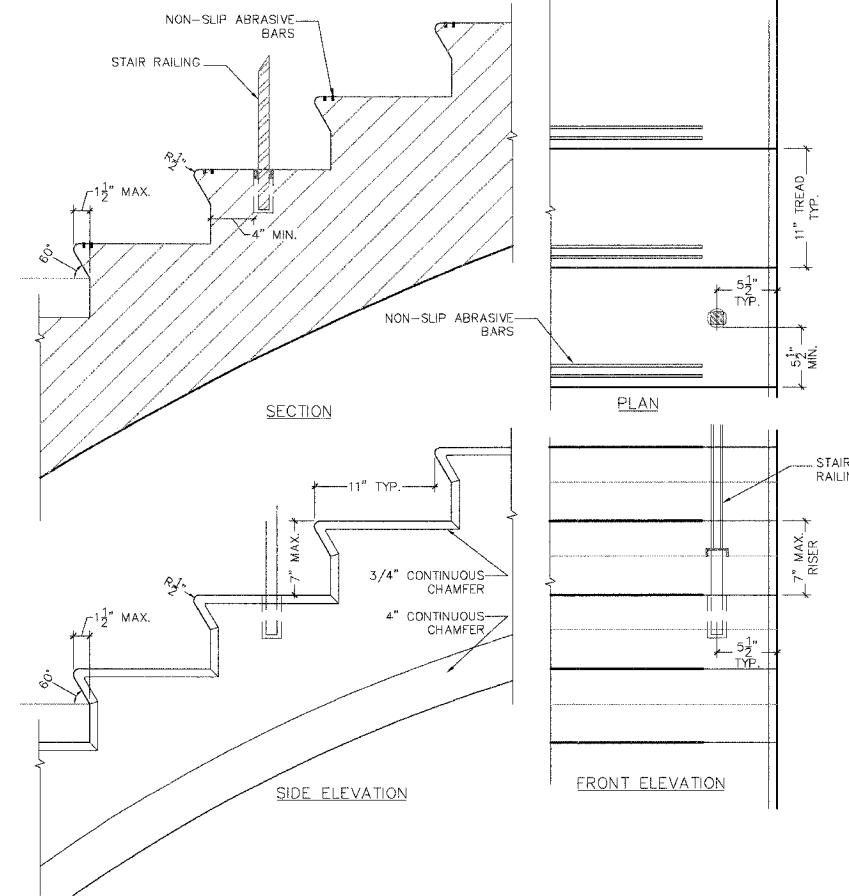


F.A.J. RTE.	SECTION	COUNTY	TOTAL SHEETS	SHEET NO.
1441	00-00059-00-BR	KANE	154	136
STA. _____		TO STA. _____		
FED. ROAD DIST. NO. _____		ILLINOIS FED. AID PROJECT		



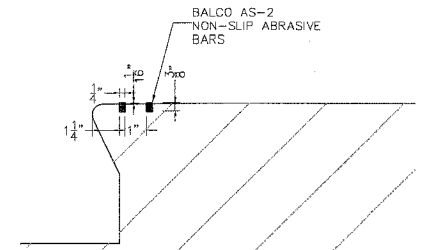
SIDEWALK-STAIR TYP. JOINT DETAIL

SCALE: 3" = 1'-0"
SEE STRUCTURAL SHEETS 110 AND 111 FOR ADDITIONAL INFORMATION



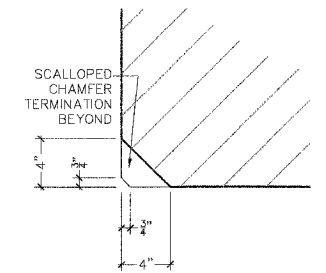
TREAD DETAILS - TYPICAL

SCALE: 1 1/2" = 1'-0"



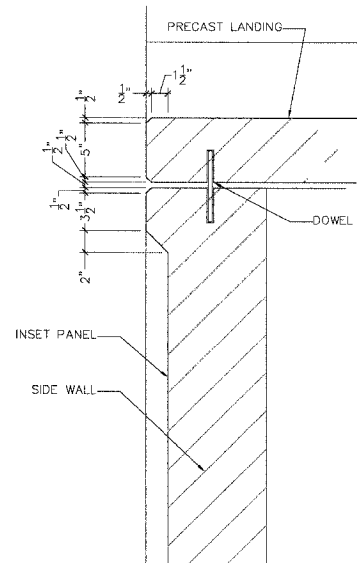
NON-SLIP ABRASIVE BAR

SCALE: 3" = 1'-0"



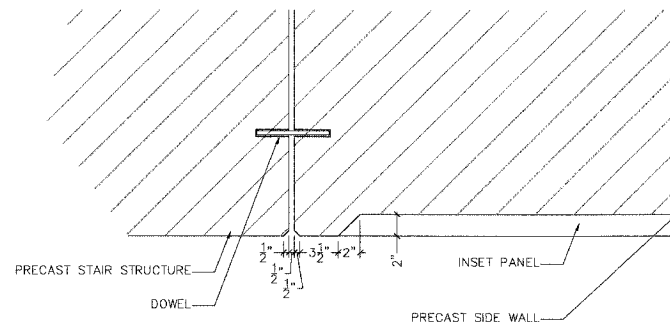
STAIR STRUCTURE CHAMFER

SCALE: 1 1/2" = 1'-0"



INSET PANEL DETAIL

SCALE: 1 1/2" = 1'-0"
SEE SHEETS 132 THROUGH 135



INSET PANEL DETAIL

SCALE: 1 1/2" = 1'-0"
SEE SHEETS 132 THROUGH 135

- NOTES:**
- 1 - FINAL PRE-CAST CONCRETE DETAILING TO BE PERFORMED BY CONTRACTOR. COORDINATE WITH ALL OTHER WORK SHOWN. SEE STRUCTURAL, CIVIL AND ELECTRICAL SHEETS FOR ADDITIONAL INFORMATION.
 - 2 - DETAILS THIS SHEET APPLY TO SHEETS 128 THROUGH 135.
 - 3 - SEE SHEET-141 FOR STAIR AND RIVERWALK RAILINGS.

REVISIONS	
NAME	DATE

ILLINOIS DEPARTMENT OF TRANSPORTATION
WILSON STREET
STAIR DETAILS
TYPICAL DETAILS

SCALE: VARIES
DATE: 07.28.2006
DRAWN BY: BRJ / JA
CHECKED BY: BRJ / LL

JLA
JOHNSON • LASKY
ARCHITECTS
180 N. MICHIGAN AVE.
CHICAGO, ILLINOIS 60601