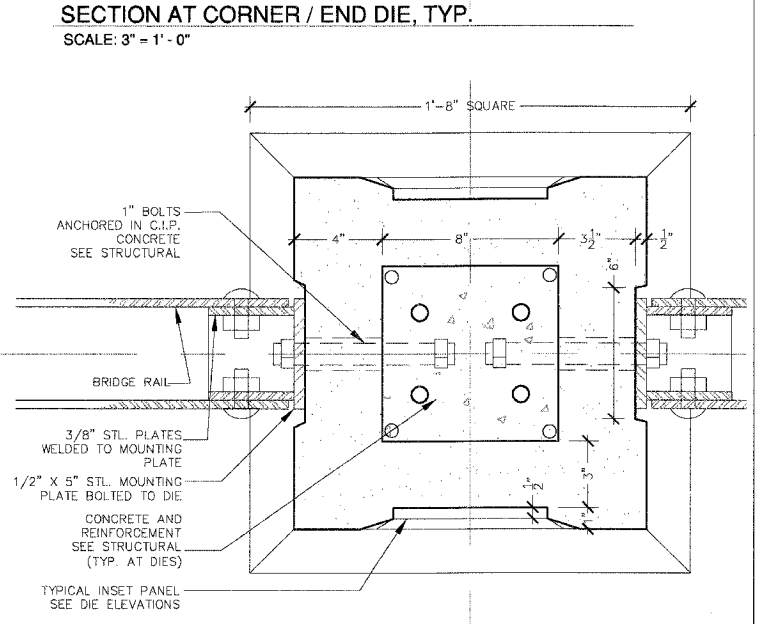
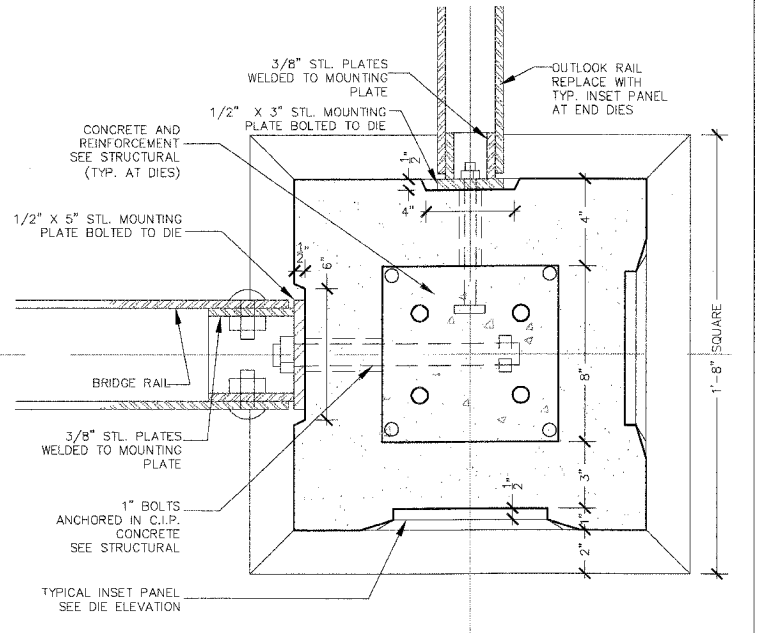
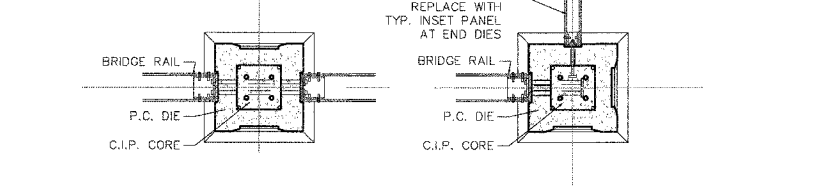
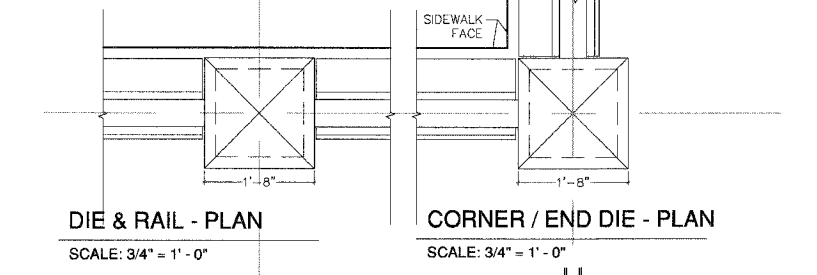
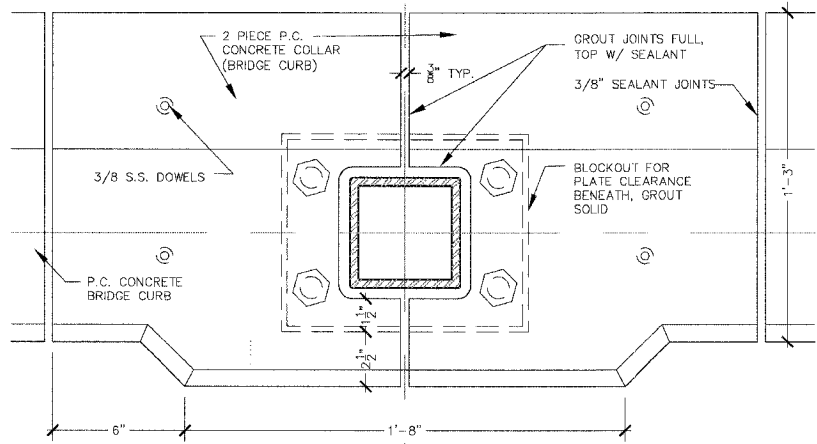
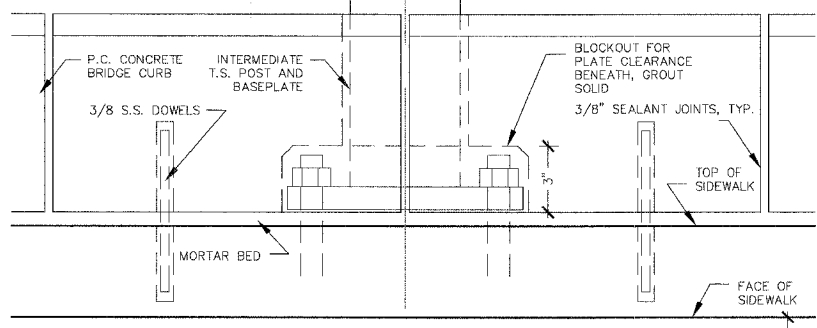
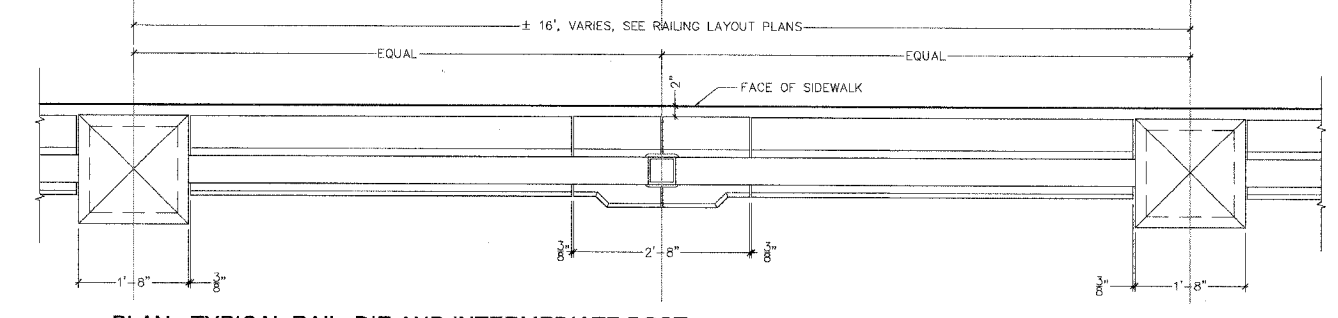
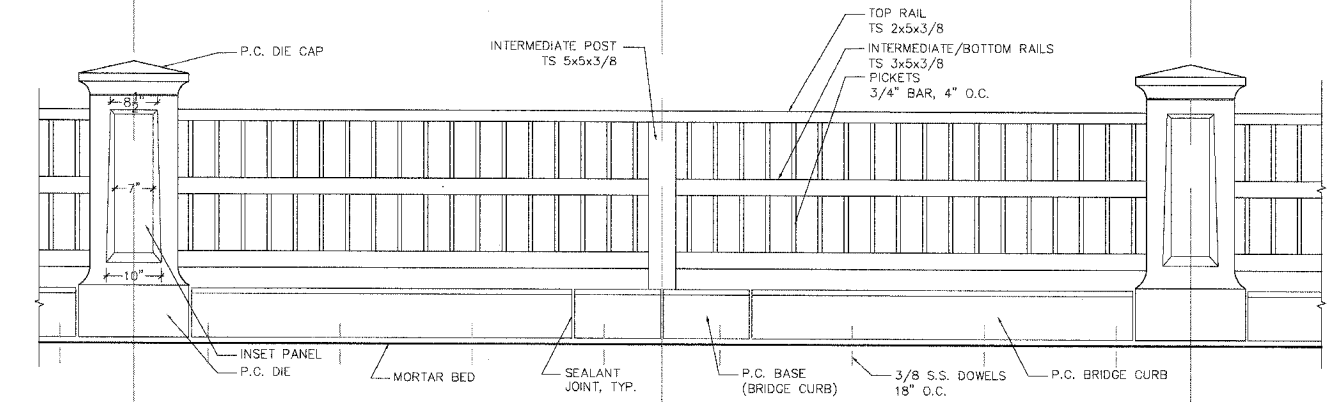
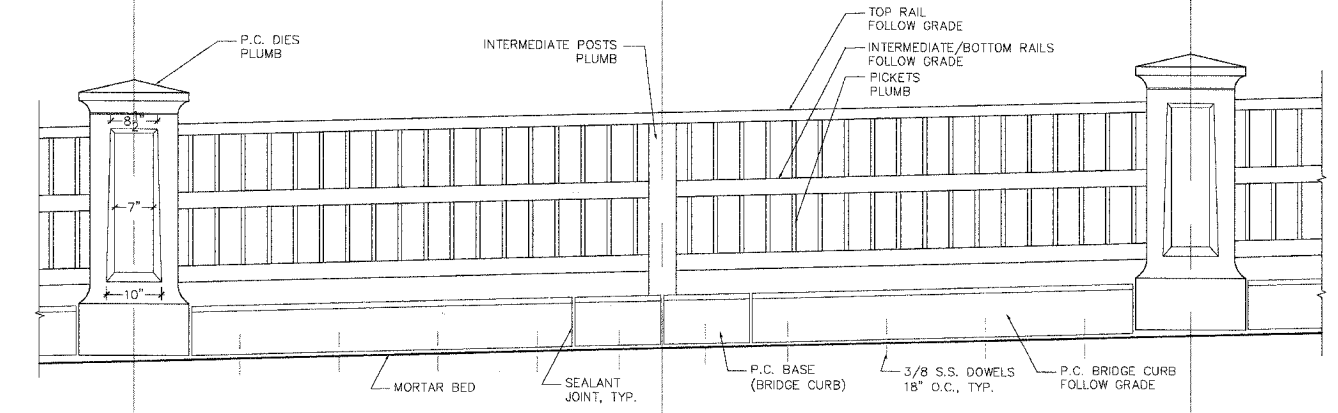
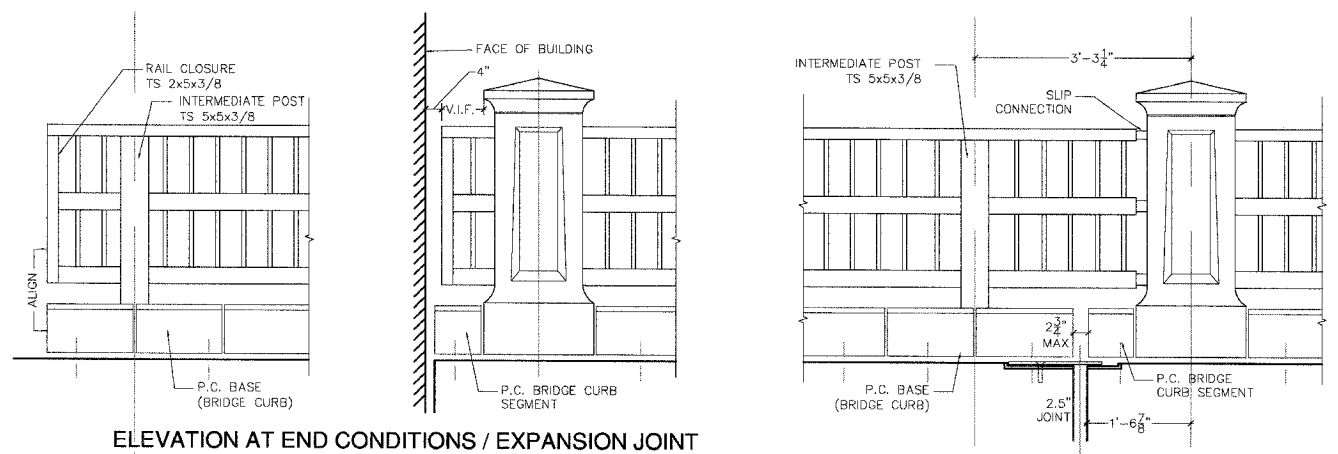


F.A.I.D. RTE.	SECTION	COUNTY	TOTAL SHEETS	SHEET NO.
1441	00-00059-00-BR	KANE	154	139
STA. _____		TO STA. _____		
FED. ROAD DIST. NO. ILLINOIS FED. AID PROJECT				



- NOTES:**
- SEE SHEETS 84 AND 85 FOR STRUCTURAL DETAIL INFORMATION
 - SEE SHEETS 83 AND 125 FOR RAILING LAYOUT INFORMATION

REVISIONS	
NAME	DATE

ILLINOIS DEPARTMENT OF TRANSPORTATION
WILSON STREET
RAILINGS
BRIDGE RAILING

SCALE: VARIES
DATE: 07.28.2006

DRAWN BY: BRJ / JA
CHECKED BY: BRJ / LL

PLT DATE = \$DATE\$
FILE NAME = \$FILE\$
PLOT SCALE = \$SCALE\$
USER NAME = \$USER\$

JLA
JOHNSON · LASKY
ARCHITECTS
180 N. MICHIGAN AVE.
CHICAGO, ILLINOIS 60601