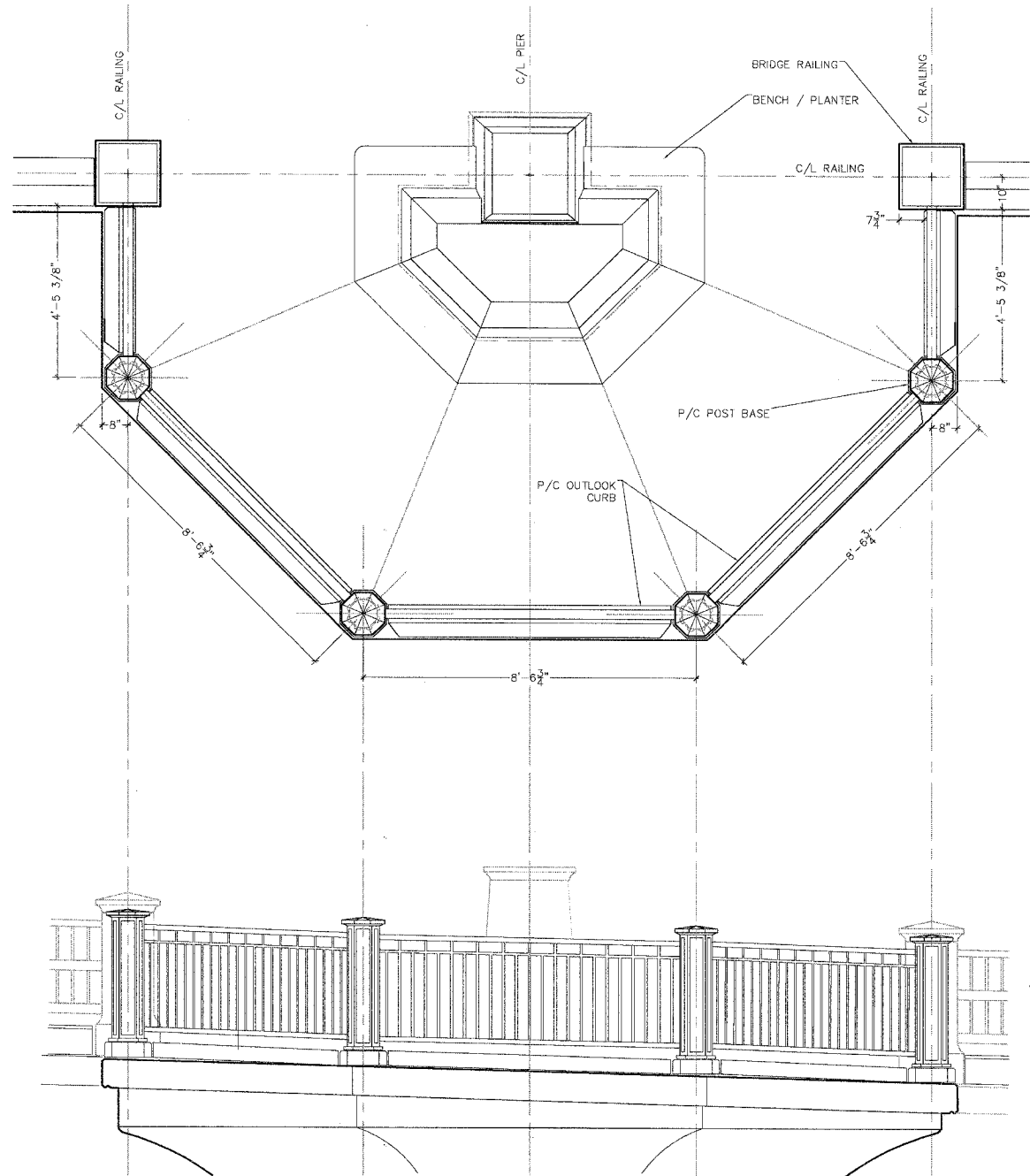
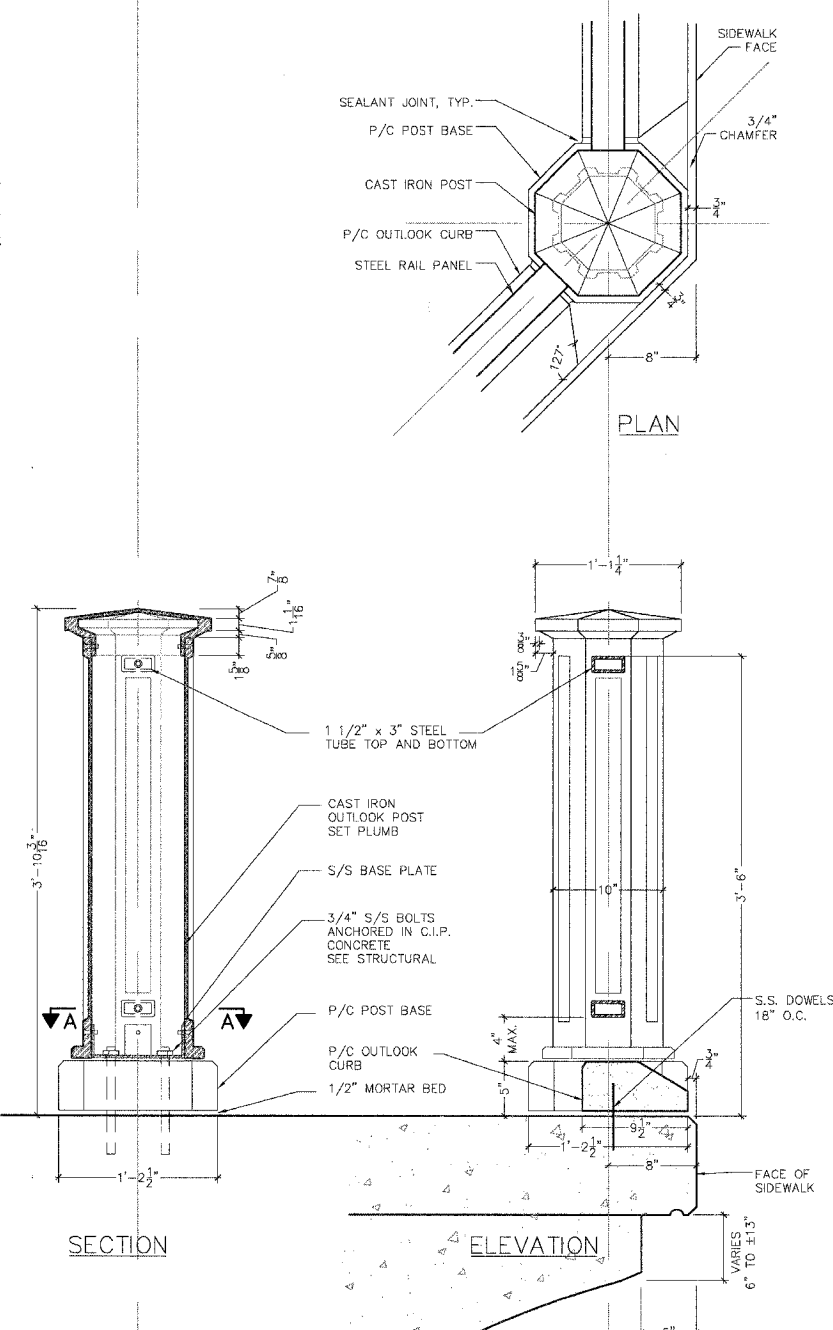


F.A.U. No.	SECTION	COUNTY	TOTAL SHEETS	SHEET NO.
1441	00-00059-00-BR	KANE	154	140
STA. _____ TO STA. _____				
FED. ROAD DIST. NO. - ILLINOIS		FED. AID PROJECT		

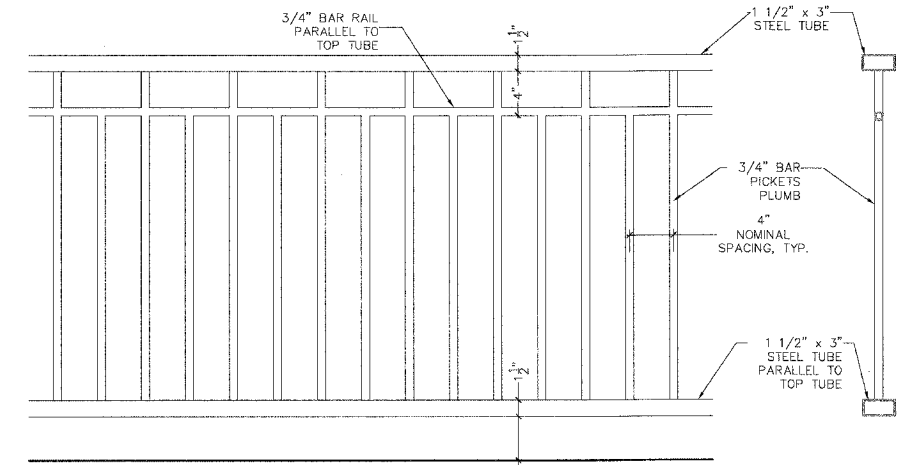


NOTE: OUTLOOK SLOPE VARIES PER OUTLOOK POSTS AND PICKETS TO BE PLUMB, TYP.
OUTLOOK RAILING ELEVATION & PLAN
 SCALE: 1/2" = 1' - 0"

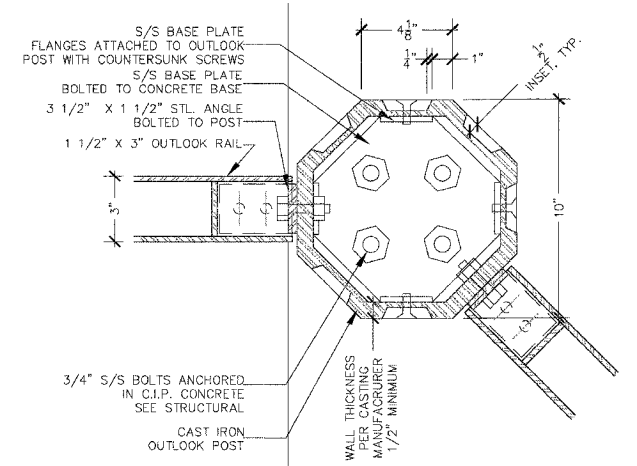


OUTLOOK POST ELEVATION, PLAN AND SECTION
 SCALE: 1 1/2" = 1' - 0"

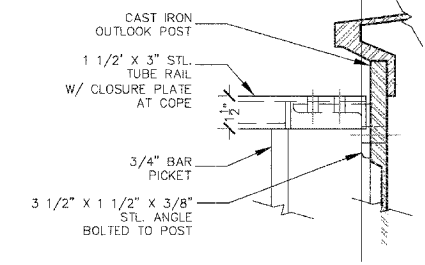
- NOTES:**
- 1 - SEE SHEETS 84 AND 85 FOR STRUCTURAL DETAIL INFORMATION
 - 2 - SEE SHEETS 83 AND 125 FOR RAILING LAYOUT INFORMATION



OUTLOOK RAILING PANEL DETAILS
 SCALE: 1 1/2" = 1' - 0"



OUTLOOK RAILING PANEL CONNECTION TO POST - SECTION A-A
 SCALE: 3" = 1' - 0"



OUTLOOK RAILING CONNECTION TO POST - DETAIL
 SCALE: 3" = 1' - 0"

REVISIONS	
NAME	DATE

ILLINOIS DEPARTMENT OF TRANSPORTATION
 WILSON STREET
 RAILINGS
 OUTLOOK RAILING



SCALE: VARIES
 DATE: 07.28.2006
 DRAWN BY: BRJ / JA
 CHECKED BY: BRJ / LL

PLOT DATE = \$DATE\$
 PLOT SCALE = \$SCALE\$
 USER NAME = \$USER\$