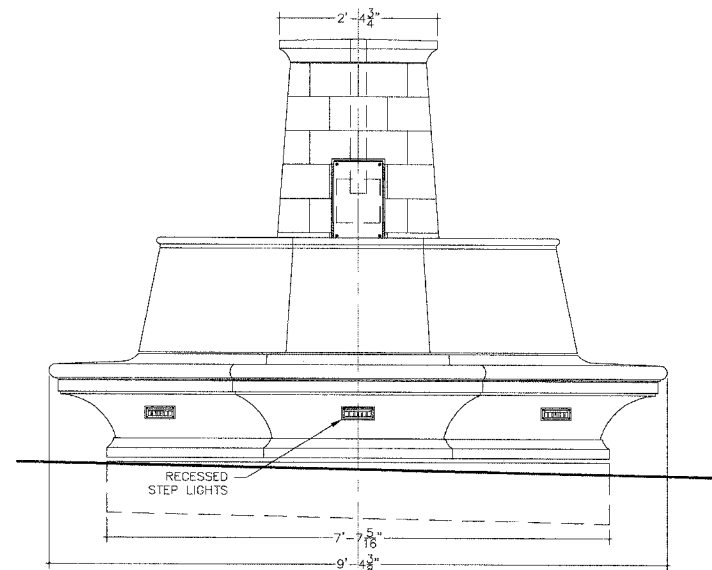
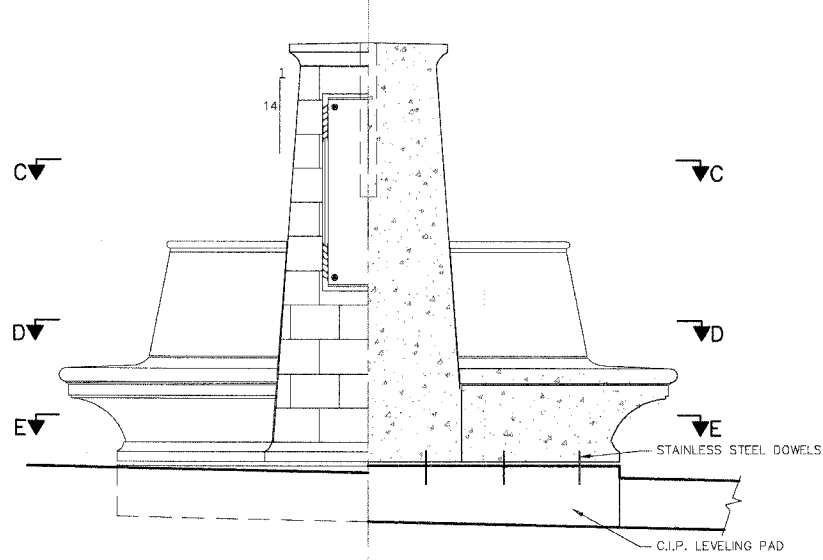


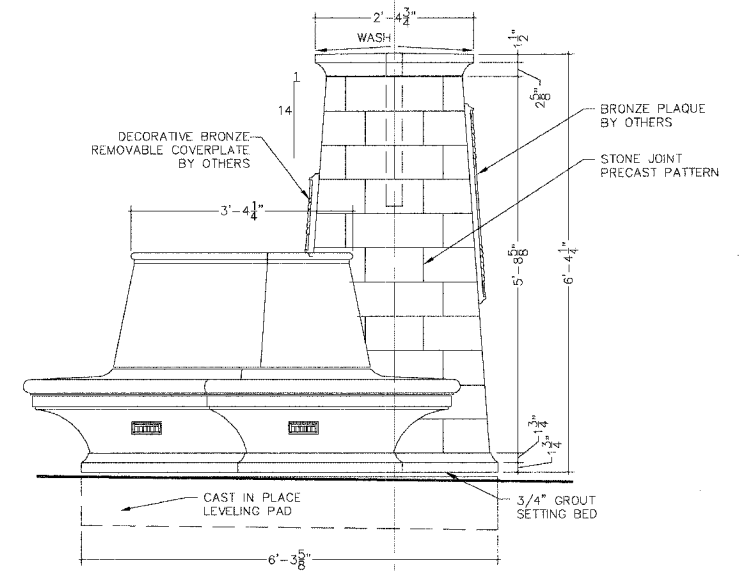
F.A.U. RTE.	SECTION	COUNTY	TOTAL SHEETS	SHEET NO.
1441	00-00059-00-BR	KANE	154	142
STA. _____ TO STA. _____				
FED. ROAD DIST. NO. _____ ILLINOIS		FED. AID PROJECT		



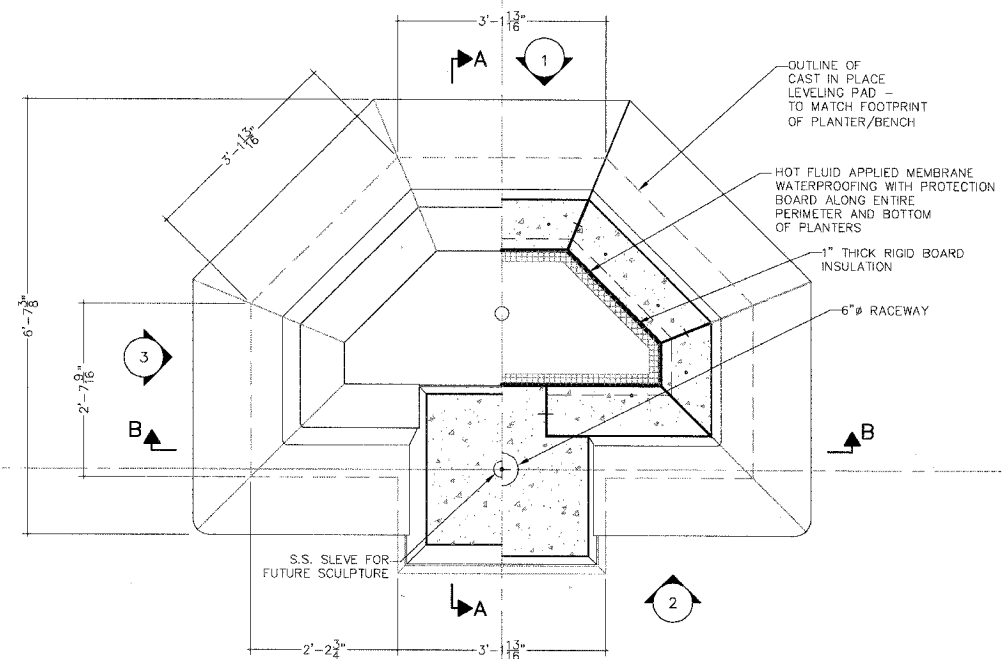
ELEVATION - 1
SCALE: 3/4" = 1' - 0"



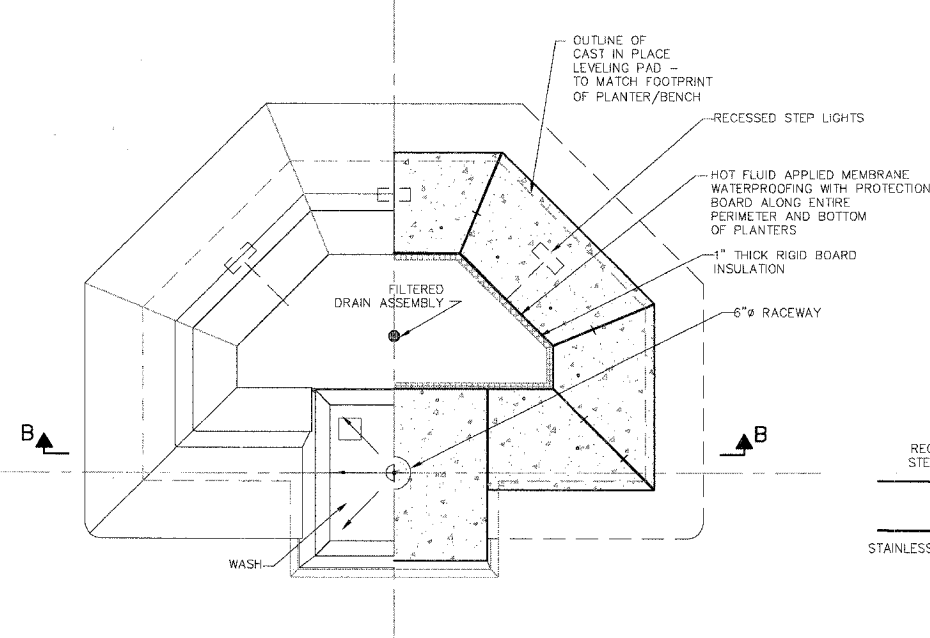
ELEVATION - 2 & SECTION B-B
SCALE: 3/4" = 1' - 0"



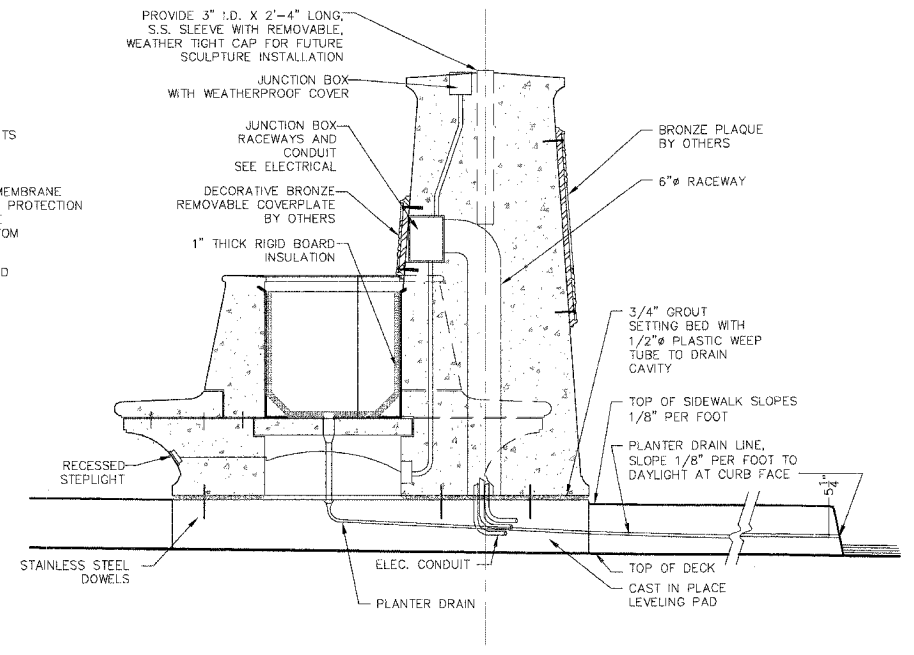
ELEVATION - 3
SCALE: 3/4" = 1' - 0"



SECTION C-C AND D-D
SCALE: 3/4" = 1' - 0"



PLAN AND SECTION E-E
SCALE: 3/4" = 1' - 0"



SECTION A-A
SCALE: 3/4" = 1' - 0"

NOTES:

- 1 - FINAL PRE-CAST CONCRETE DETAILING TO BE PERFORMED BY CONTRACTOR. COORDINATE WITH ALL OTHER WORK SHOWN. SEE STRUCTURAL AND ELECTRICAL SHEETS FOR ADDITIONAL INFORMATION.
- 2 - SEE SHEET 143 FOR ADDITIONAL PLANTER/BENCH DETAILING.
- 3 - SEE SHEET 151 FOR ELECTRICAL DETAILING.

REVISIONS	
NAME	DATE

ILLINOIS DEPARTMENT OF TRANSPORTATION
WILSON STREET
PLANTER/BENCH
PLANS, SECTIONS, ELEVATIONS

SCALE: VARIES
DATE: 07.28.2006
DRAWN BY: BRJ / JA
CHECKED BY: BRJ / LL



PLT DATE = \$DATE\$
PLT NAME = \$PLTNAME\$
PLT SCALE = \$SCALE\$
USER NAME = \$USER\$