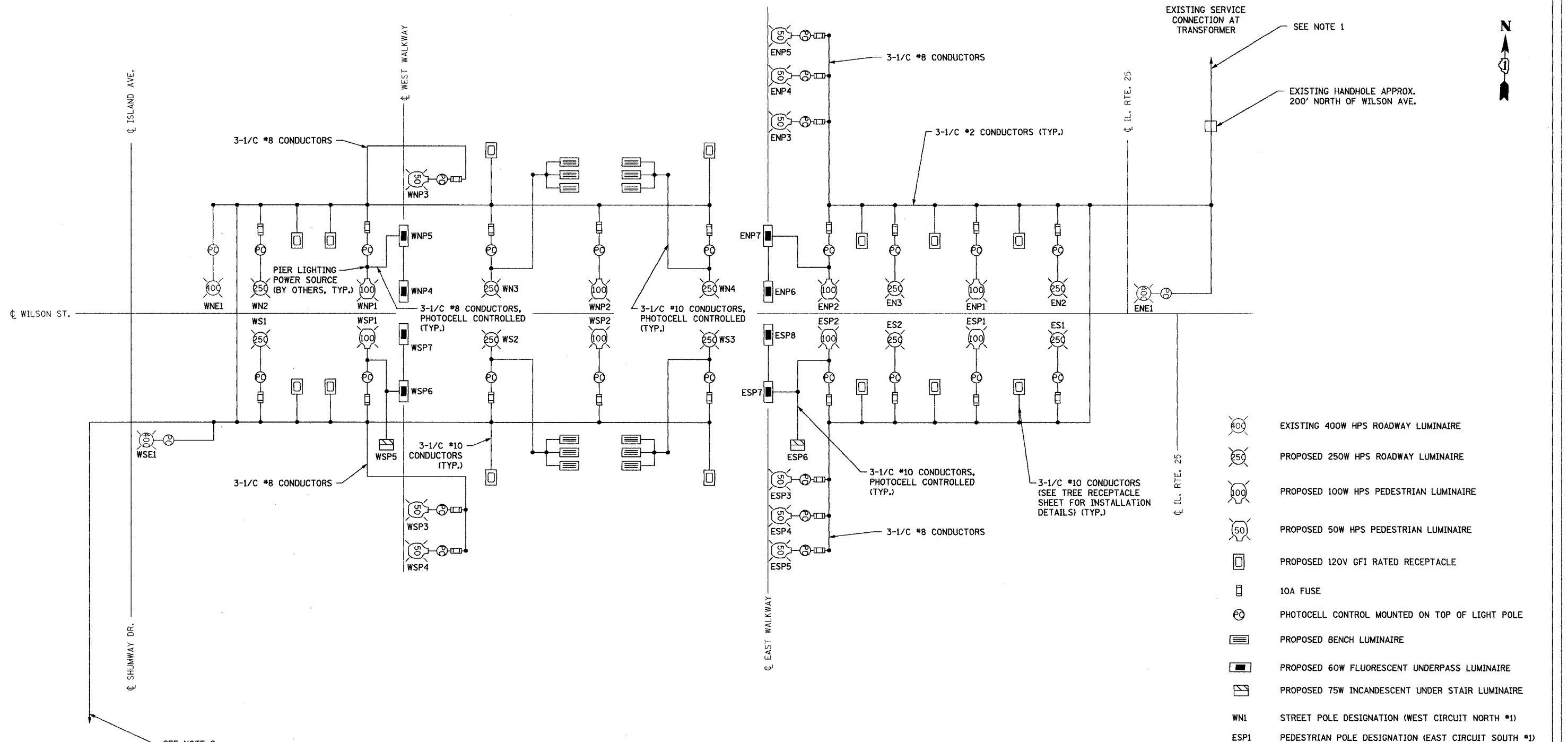


F.A. RTE.	SECTION	COUNTY	TOTAL SHEETS	SHEET NO.
1441	00-00059-00-BR	KANE	154	148
STA.	TO STA.			
FED. ROAD DIST. NO.	ILLINOIS	FED. AID PROJECT		



CIRCUIT	LOAD
WEST	75.72 A
EAST	68.40 A

NOTES:

- CONTRACTOR TO REPLACE CABLE FROM TRANSFORMER TO HANDHOLE AND CONNECT TO TRANSFORMER WITH NEW FUSES AS DIRECTED BY THE BATAVIA ELECTRICAL DEPARTMENT.
- CONTRACTOR TO REPLACE CABLE FROM TRANSFORMER TO LIGHT POLE WSE1 AND CONNECT TO TRANSFORMER WITH NEW FUSES AS DIRECTED BY THE BATAVIA ELECTRICAL DEPARTMENT.

REVISIONS	
NAME	DATE

ILLINOIS DEPARTMENT OF TRANSPORTATION
WILSON STREET
WIRING DIAGRAM
 SCALE: NONE
 DATE: 09/28/06
 DRAWN BY: JDM
 CHECKED BY: RS



PLOT DATE * WATER * FILE * PLOT SCALE * USER NAME * NUMBER