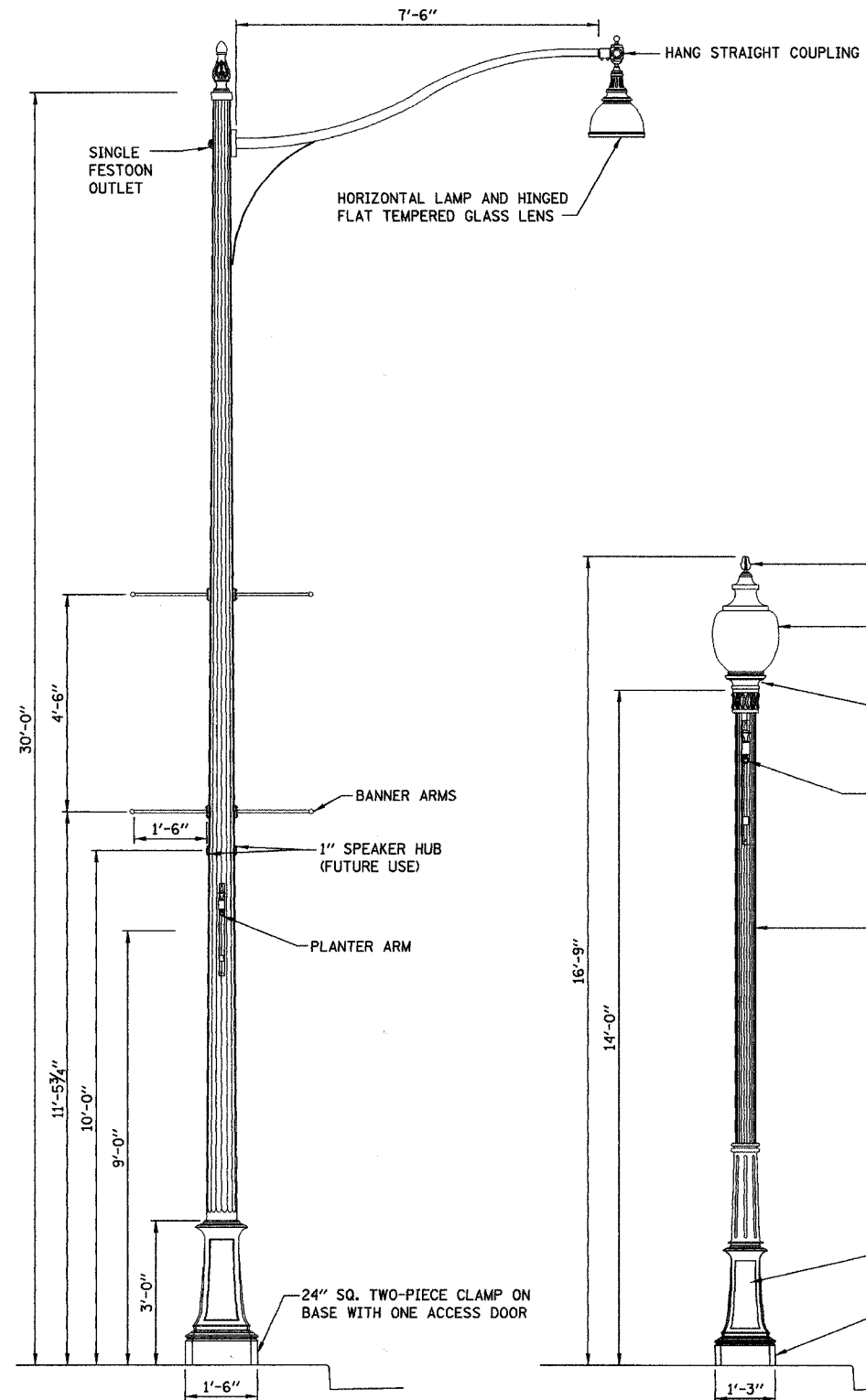
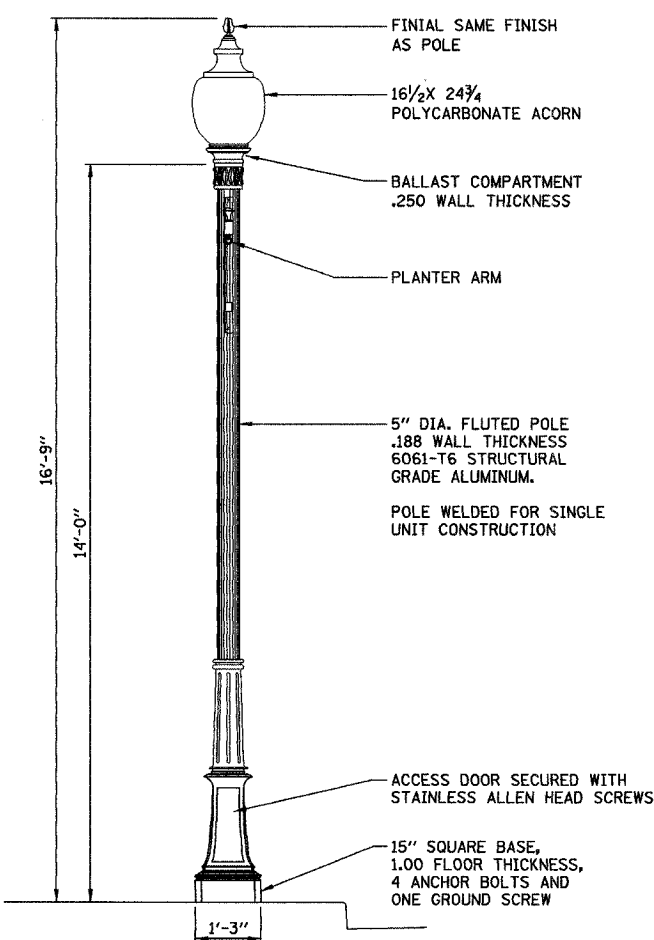
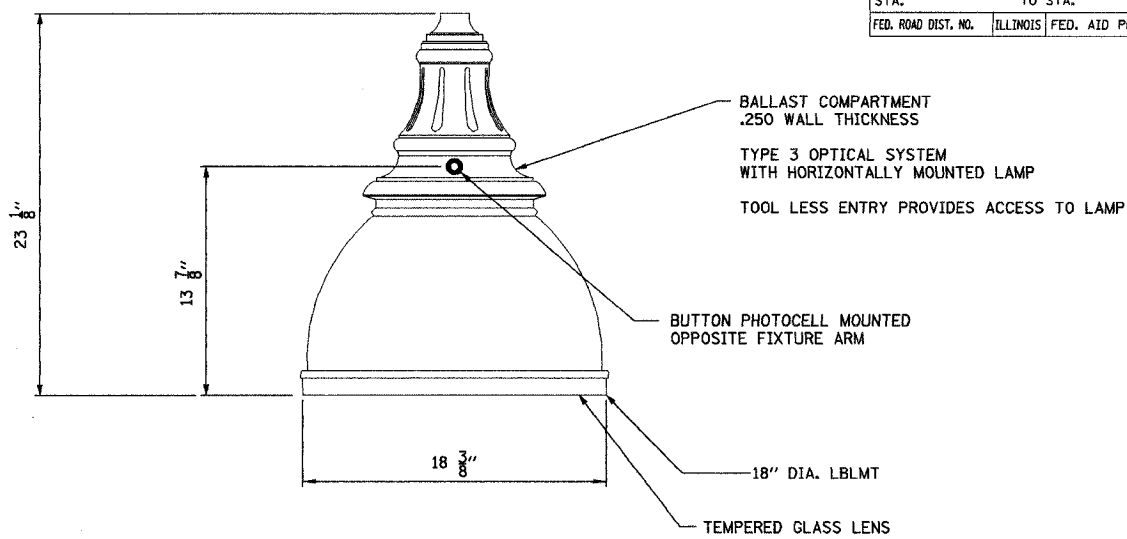


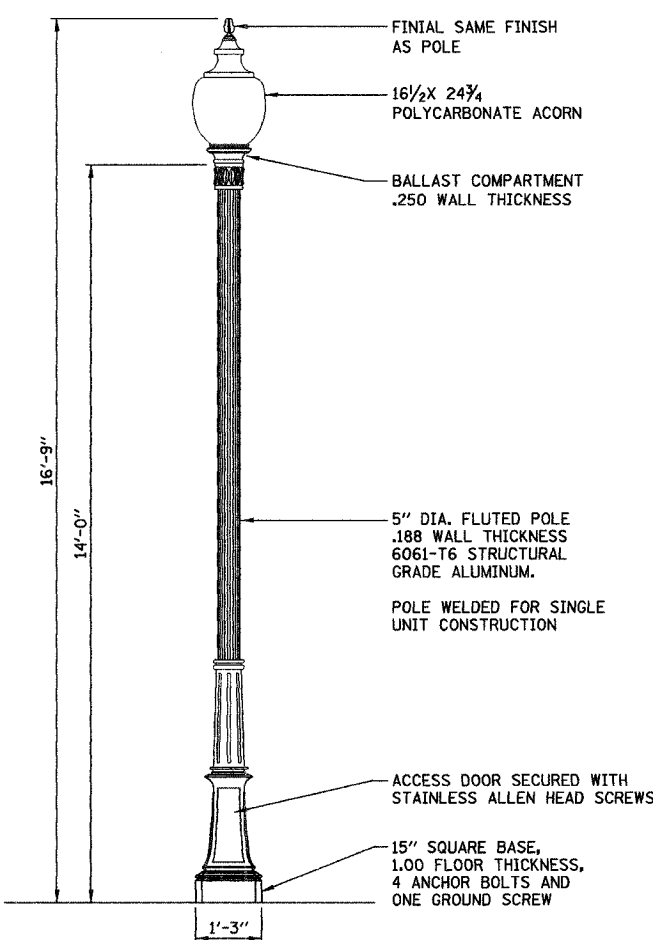
F.A. RTE.	SECTION	COUNTY	TOTAL SHEETS	SHEET NO.
1441	00-00059-00-BR	KANE	154	150
STA. TO STA.				
FED. ROAD DIST. NO.		ILLINOIS	FED. AID PROJECT	



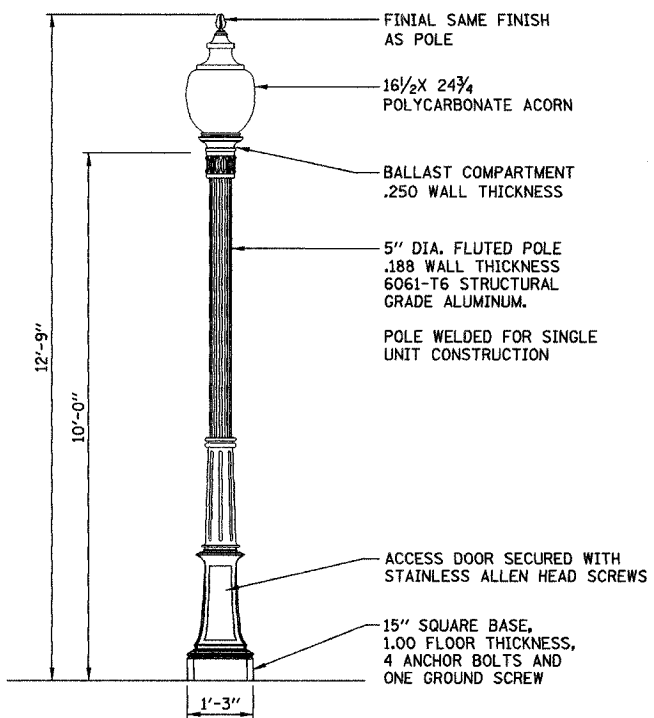
30' TALL ROADWAY LIGHT POLE (RDWY LP)



14' TALL WITH PLANTER ARMS (PED LP1)



14' TALL WITHOUT PLANTER ARMS (PED LP2)



10' TALL POLE (PED LP3)

EJM EJM ENGINEERING, INC.
411 South Wells Street Suite 800
Chicago, Illinois 60607

REVISIONS	
NAME	DATE

ILLINOIS DEPARTMENT OF TRANSPORTATION
WILSON STREET

LIGHT POLE DETAILS

SCALE: 1"=20'
DATE: 09/28/06
DRAWN BY: JDM
CHECKED BY: RS

PLOT DATE = 09/28/06
FILE NAME = #FILEL1
USER NAME = #USER1