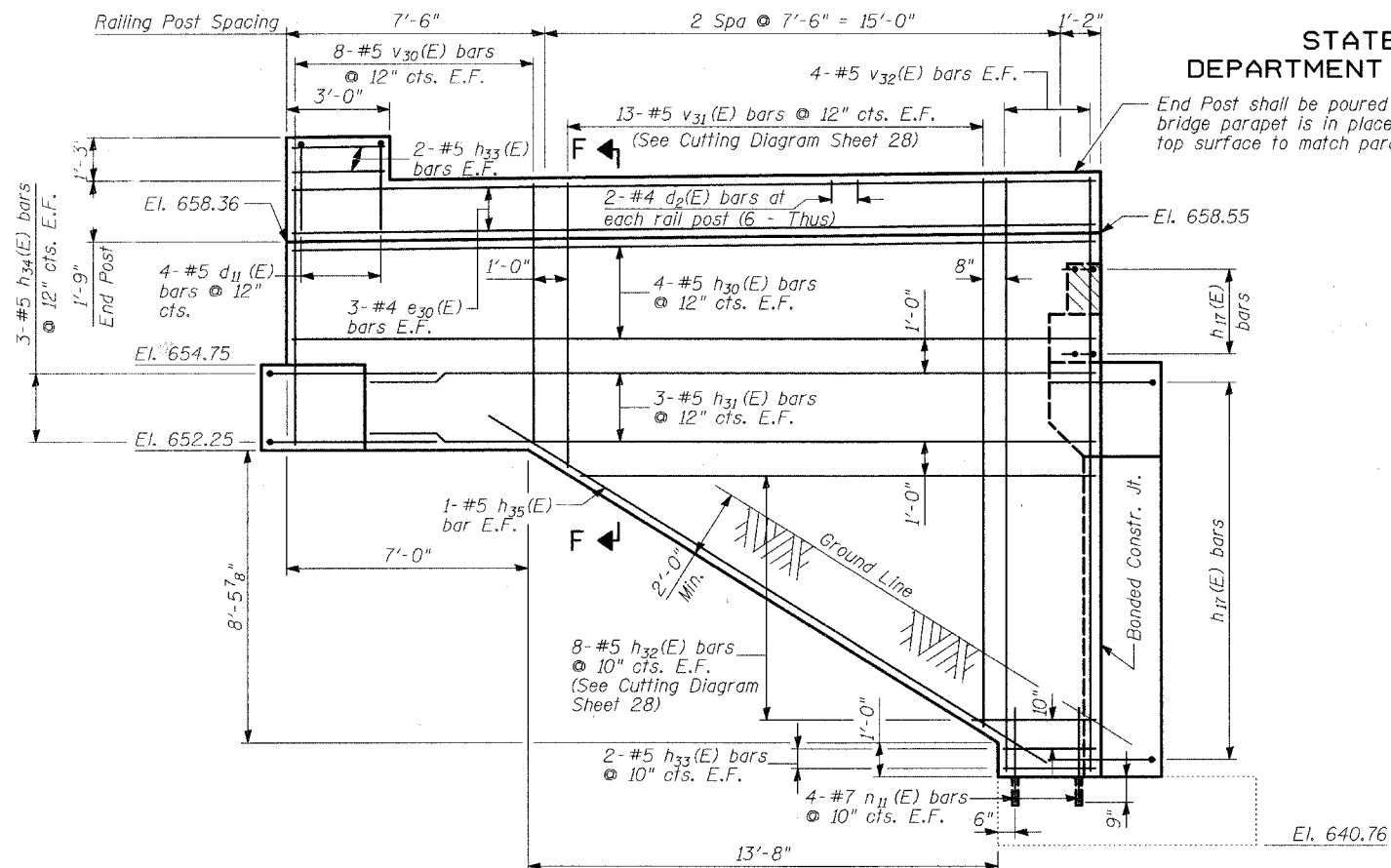
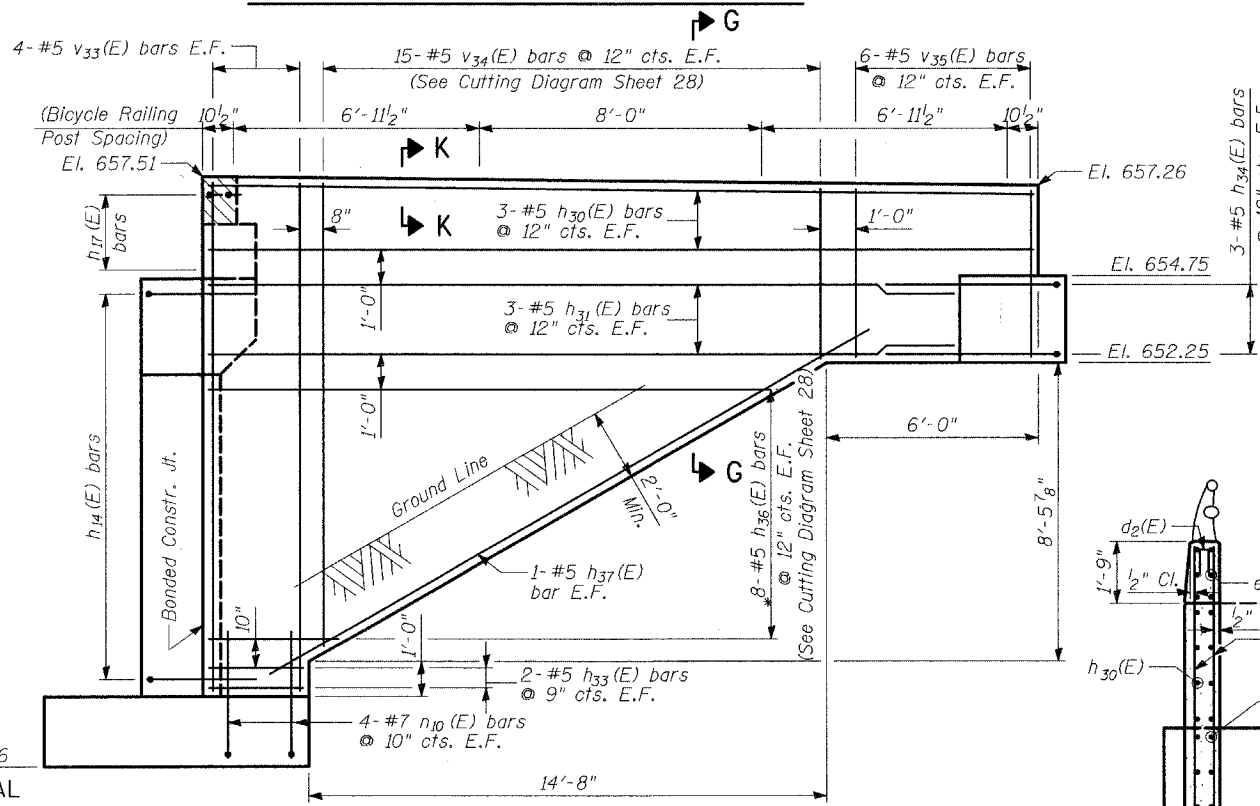


STATE OF ILLINOIS  
DEPARTMENT OF TRANSPORTATION

ROUTE NO.	SECTION	COUNTY	STATION	SHEET NO.	SHEET NO. - 26 39 - SHEETS
1545	*	DUPAGE	97	47	
FED. ROAD DIST. NO.	ILLINOIS	FED. AID PROJECT	CONTRACT NO. 83961		

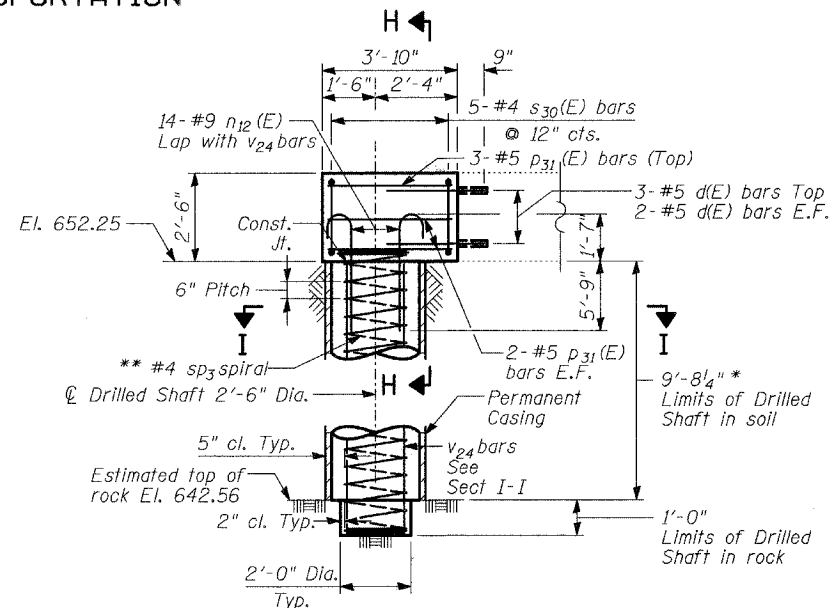


NORTH CURTAIN WALL SIDE ELEVATION

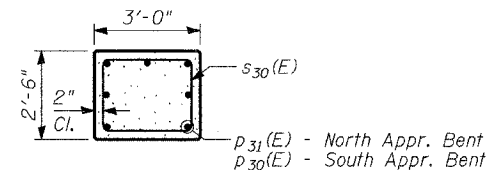


SOUTH CURTAIN WALL SIDE ELEVATION

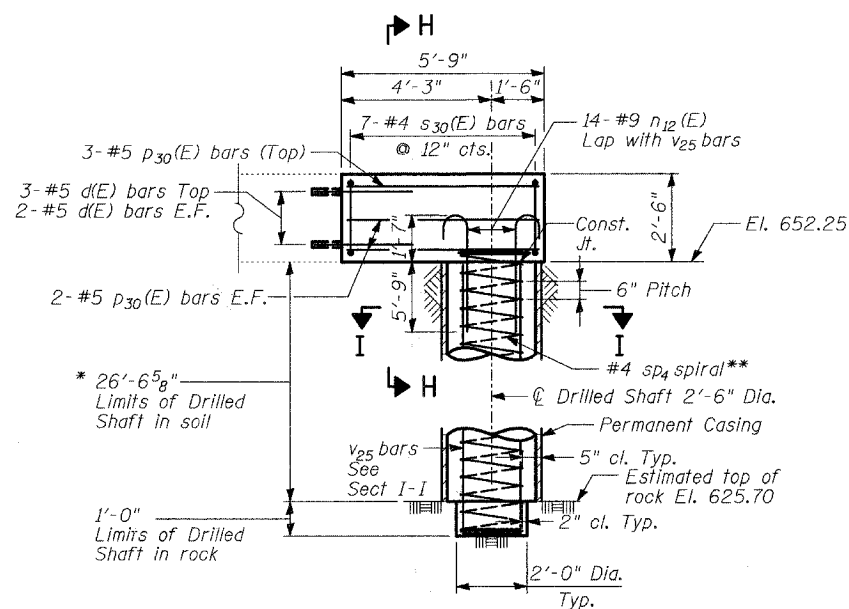
End Post shall be poured after bridge parapet is in place. Form top surface to match parapet grade.



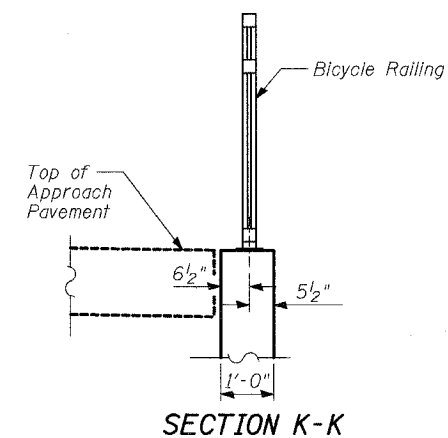
NORTH APPROACH BENT MODIFICATION



SECTION H-H



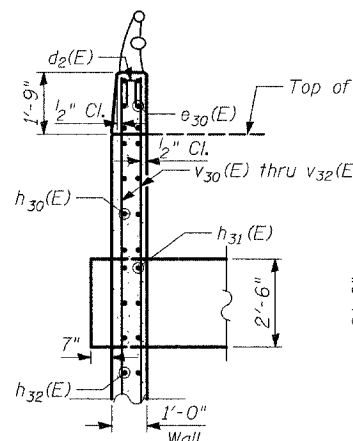
SOUTH APPROACH BENT MODIFICATION



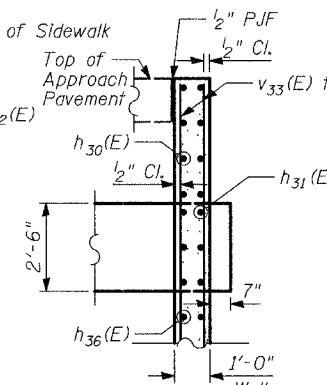
SECTION K-K

\* The quantities and detailing are based on the estimated elevations shown on the plans. The actual elevations may differ at each shaft and corresponding adjustments shall be made to the drilled shaft and reinforcement quantities and payment limits.

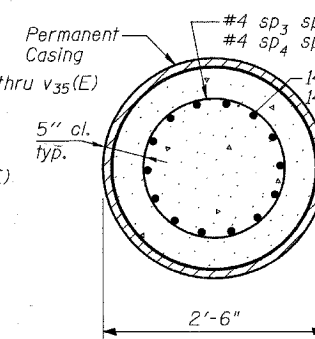
\*\* Provide 1/2 extra turns top and bottom of each drilled shaft. Extend spiral 2' into abutment footing. Provide min. 4-#4 spacers or equivalent.



SECTION F-F



SECTION G-G



SECTION I-I

EAST ABUTMENT CURTAIN WALLS

BAILEY ROAD OVER THE  
WEST BRANCH OF THE DUPAGE RIVER  
FAU 1545  
SECTION 00-00115-00-BR STA. 2+99.15  
DUPAGE COUNTY  
S.N. 022-3028

TYLIN INTERNATIONAL

DESIGNED	- SNB
CHECKED	- SP
DRAWN	- SNB
CHECKED	- SP