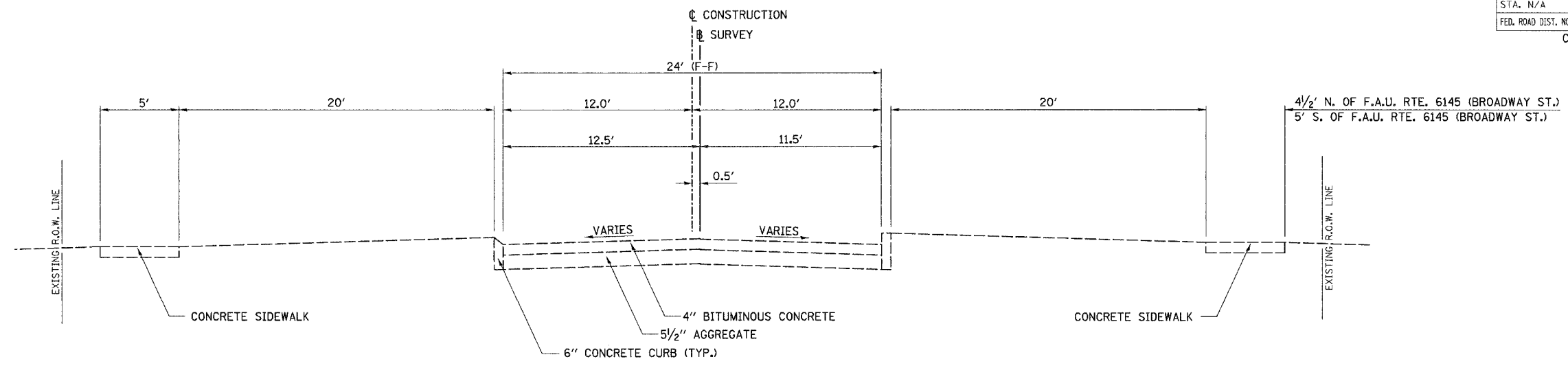
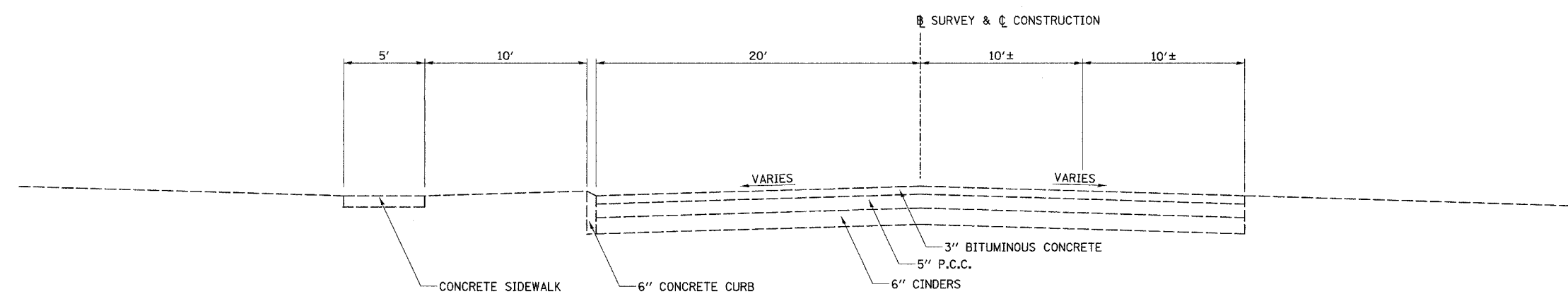


F.A.U. RTE.	SECTION	COUNTY	TOTAL SHEETS	SHEET NO.
6145	01-00590-00-BR	LOGSALLE	168	7
STA. N/A		TO STA. N/A		
FED. ROAD DIST. NO. 3 ILLINOIS		FEDERAL AID PROJECT		
CONTRACT NO. 87293				



EXISTING TYPICAL SECTION
SHABBONA ST.



EXISTING TYPICAL SECTION
ILLINOIS ST.

SOUTH OF F.A.U. RTE. 6145 (BROADWAY ST.)