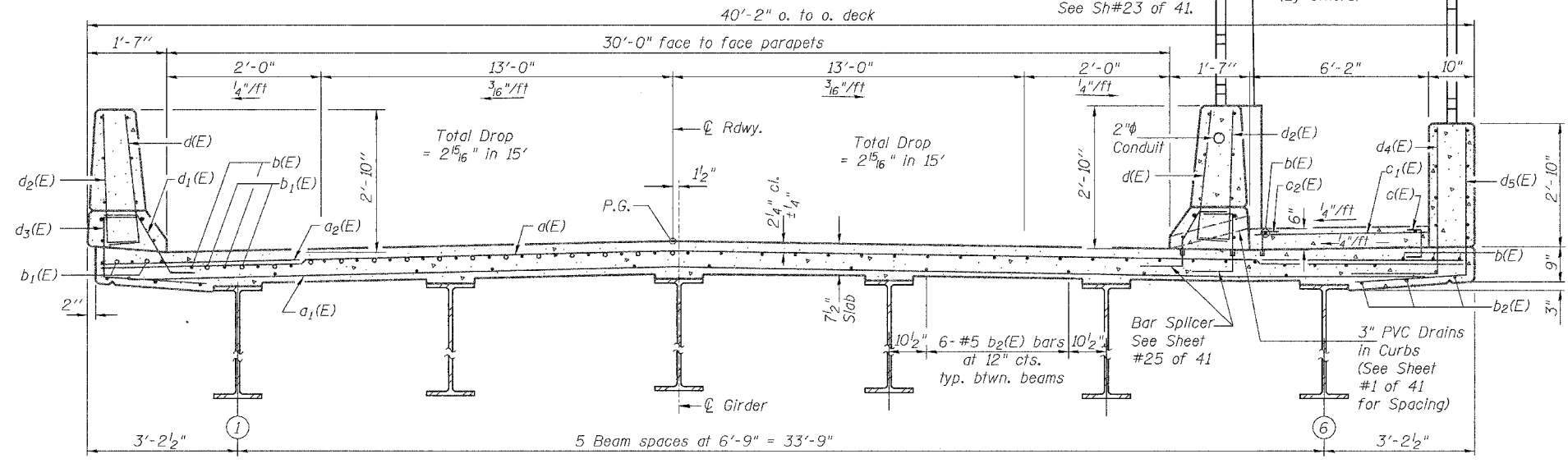


* Place a₃(E) and h₆(E) bars in back of anchor bolt as shown if required to maintain 1" cl. (+0-¹/₈"). Anchor Bolts should be tied to a₃(E) and h₆(E) bars.

Notes:
See Sheets 7 thru 11 of 41 for superstructure details and Bill of Material.
Reinforcement bars designated (E) shall be epoxy coated.
Bars indicated thus 20 x 3-#5 etc. indicates 20 lines of bars with 3 lengths per line.
See Sheets 7, 8, & 9 of 41 for parapet reinforcement.

MIN. BAR LAP (DECK)
#5 = 2'-2"
#6 = 2'-7"



DESIGNED	JOH
CHECKED	BRT
DRAWN	TC
CHECKED	JOH

SUPERSTRUCTURE
FAU ROUTE 6145 OVER
BNSF RAILROAD
SECTION 01-00590-00-BR (COUNTY)
LASALLE COUNTY
STATION 21+75.75
STR. NO. 050-8023

HUTCHISON ENGINEERING, INC.
JACKSONVILLE & JOLIET, ILLINOIS
Date: 3/10/2006