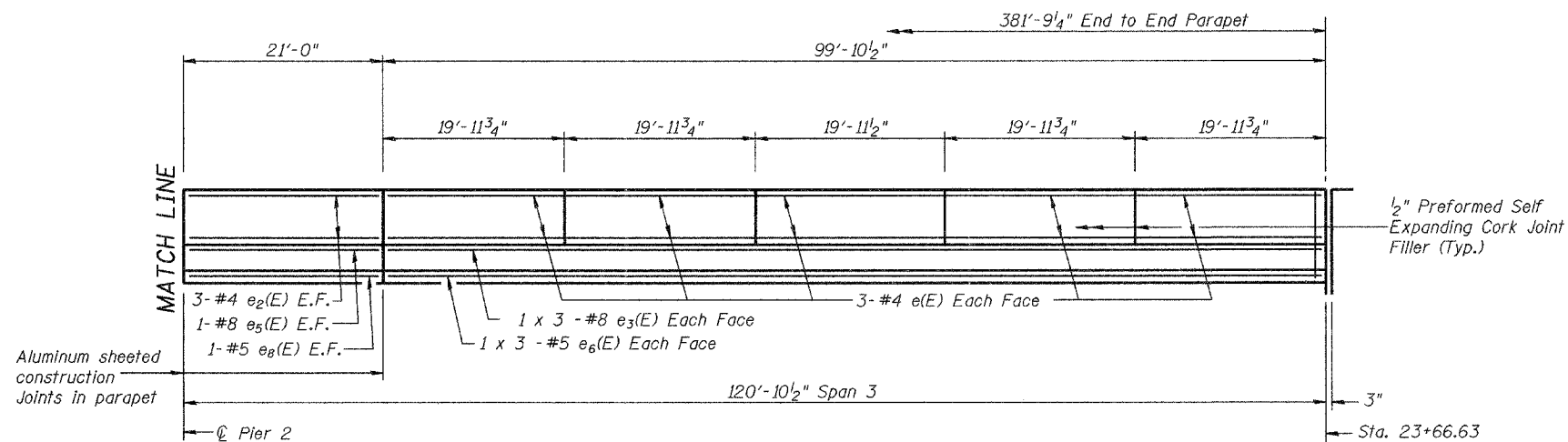
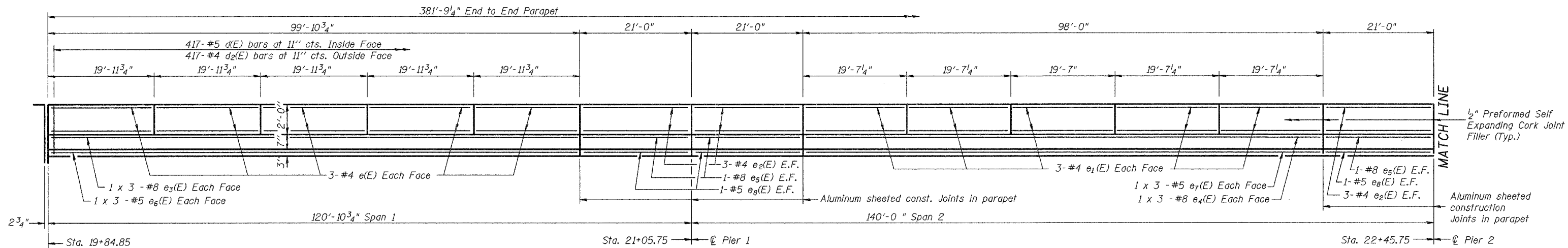


ROUTE NO.	SEC	COUNTY	TOWNSHIP	SHEET NO.
FAU 6145	*	LASALLE	168	87
FED. ROAD DIST. NO. 3	ILLINOIS	PROJECT		

SHEET NO. 7
41 SHEETS

* 01-00590-00-BR (County)

CONTRACT NO. 87293



MIN. BAR LAP (PARAPET)

- #4 = 1'-4"
- #5 = 1'-8"
- #8 = 3'-5"

PARAPET ELEVATION (NORTH TRAFFIC BARRIER)
(Looking North at North Roadway Parapet)

DESIGNED	JOH
CHECKED	BRT
DRAWN	TRD
CHECKED	JOH

SUPERSTRUCTURE DETAILS
FAU ROUTE 6145 OVER
BNSF RAILROAD
SECTION 01-00590-00-BR (COUNTY)
LASALLE COUNTY
STATION 21+75.75
STR. NO. 050-8023

HUTCHISON ENGINEERING, INC.
JACKSONVILLE & JOLIET, ILLINOIS

Date: 3 /10 /2006