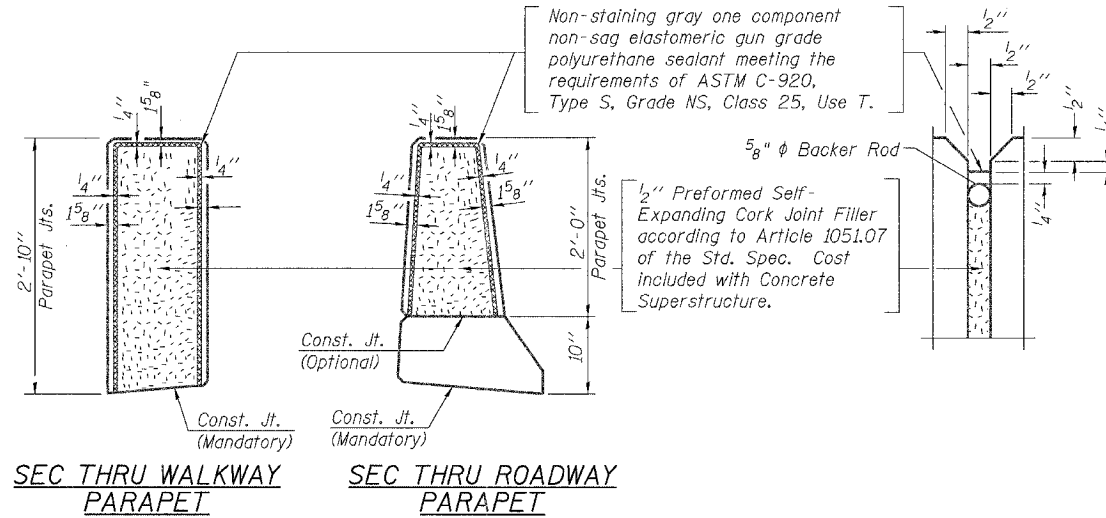
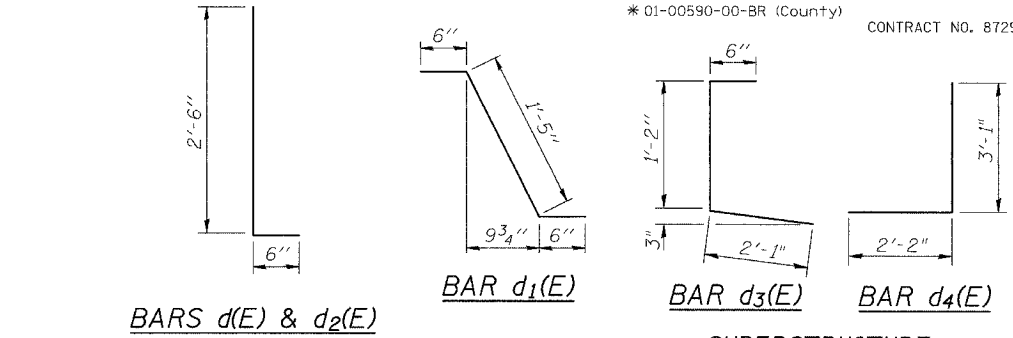


ROADWAY PARAPET JOINT DETAILS
(⊙ Piers)

WALKWAY PARAPET JOINT DETAILS
(⊙ Piers)



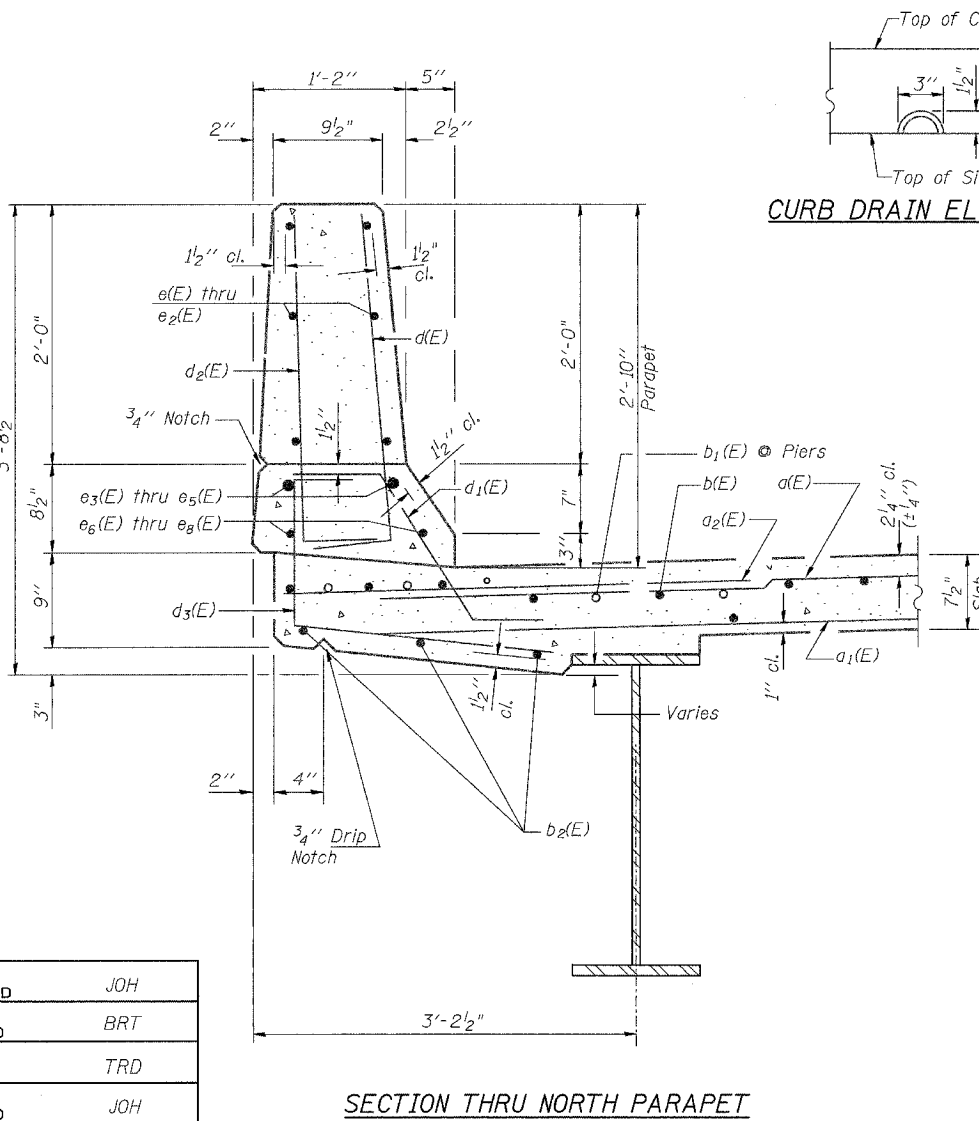
ROADWAY & WALKWAY PARAPET JOINT DETAILS



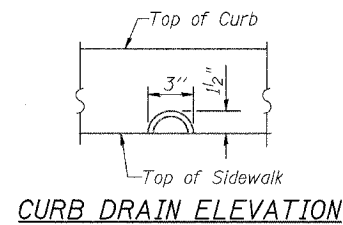
SUPERSTRUCTURE BILL OF MATERIAL

Bar	No.	Size	Length	Shape
d(E)	705	#5	38'-9"	—
d1(E)	509	#5	38'-4"	—
d2(E)	704	#6	4'-6"	—
d3(E)	4	#5	39'-0"	—
b(E)	539	#5	36'-8"	—
b1(E)	246	#6	28'-9"	—
b2(E)	468	#5	31'-4"	—
c(E)	382	#4	2'-3"	⊠
c1(E)	382	#4	5'-8"	—
c2(E)	382	#4	1'-6"	⊠
d(E)	834	#5	3'-0"	—
d1(E)	417	#5	2'-5"	⌂
d2(E)	834	#4	3'-0"	—
d3(E)	417	#4	3'-9"	⌂
d4(E)	417	#6	5'-3"	⌂
d5(E)	417	#4	5'-6"	⌂
d6(E)	15	#6	9'-4"	⌂
d7(E)	9	#6	4'-5"	⌂
d8(E)	176	#4	2'-1"	⌂
e(E)	200	#4	19'-7"	—
e1(E)	100	#4	19'-3"	—
e2(E)	80	#4	20'-8"	—
e3(E)	24	#8	35'-6"	—
e4(E)	12	#8	34'-10"	—
e5(E)	16	#8	20'-8"	—
e6(E)	24	#5	34'-6"	—
e7(E)	12	#5	34'-0"	—
e8(E)	16	#5	20'-8"	—
x(E)	43	#5	4'-1"	⌂

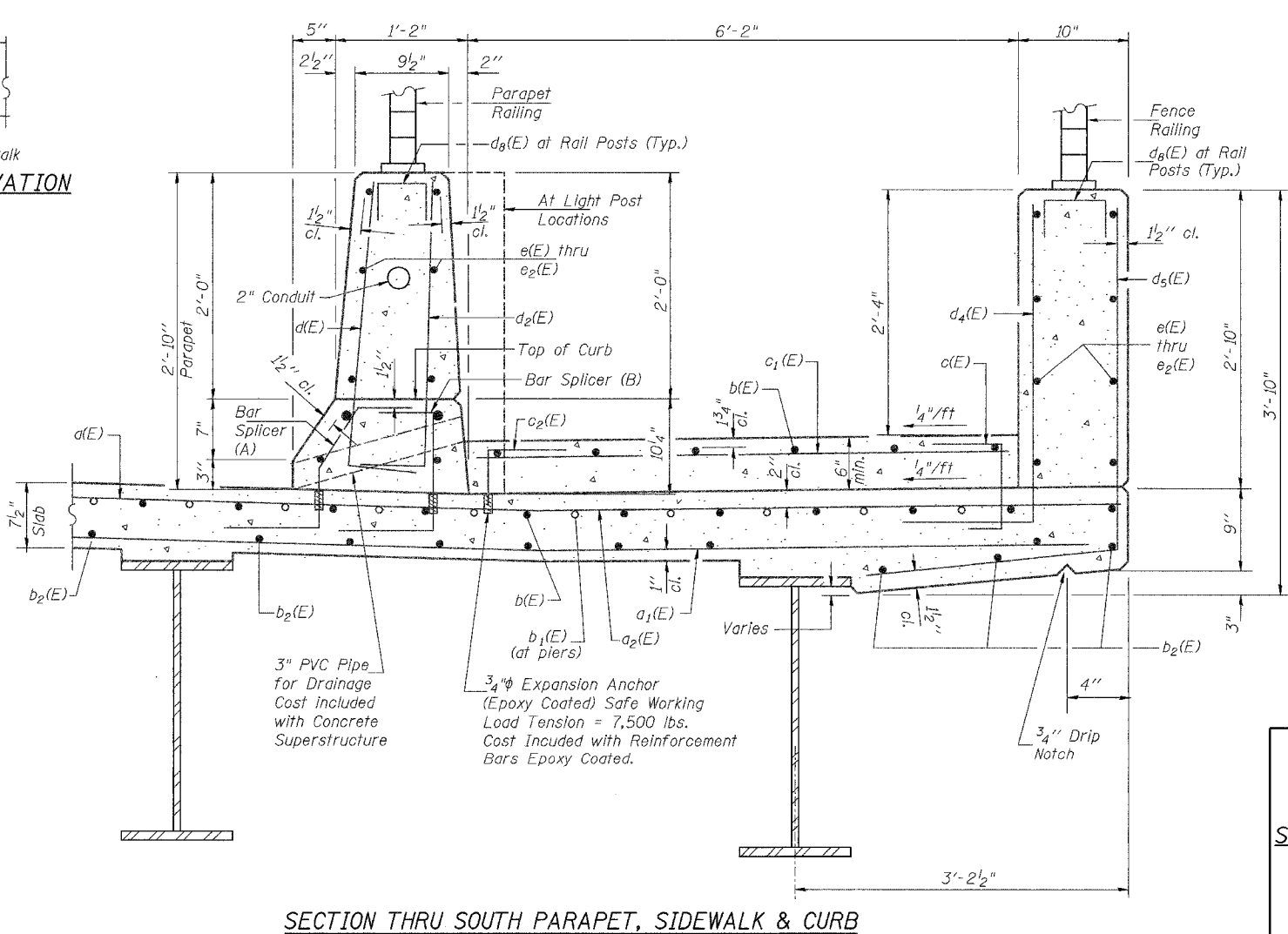
Reinforcement Bars, Epoxy Coated	Pound	125,510
Concrete Superstructure	Cu. Yds.	554.0
Bar Splicers	Each	832



SECTION THRU NORTH PARAPET



CURB DRAIN ELEVATION



SECTION THRU SOUTH PARAPET, SIDEWALK & CURB

DESIGNED	JOH
CHECKED	BRT
DRAWN	TRD
CHECKED	JOH

SUPERSTRUCTURE DETAILS
FAU ROUTE 6145 OVER
BNSF RAILROAD
SECTION 01-00590-00-BR (COUNTY)
LASALLE COUNTY
STATION 21+75.75
STR. NO. 050-8023

HUTCHISON ENGINEERING, INC.
JACKSONVILLE & JOLIET, ILLINOIS
Date: 3/10/2006