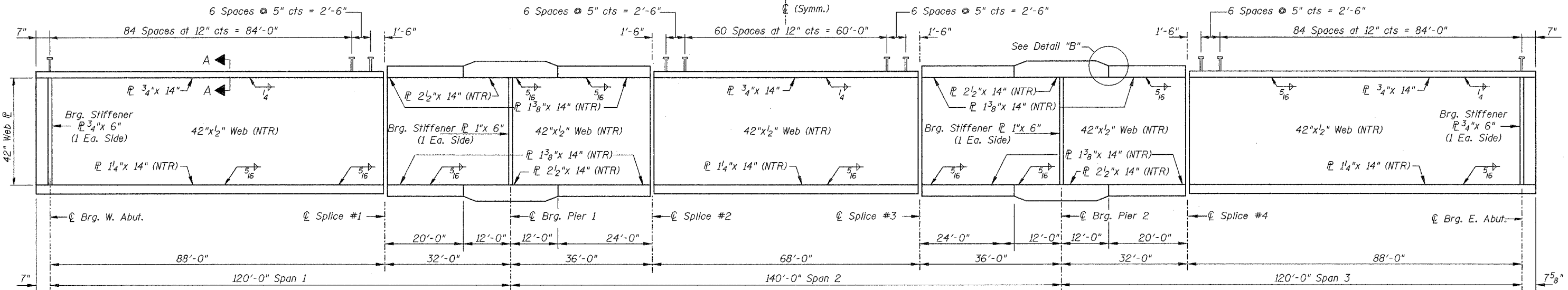
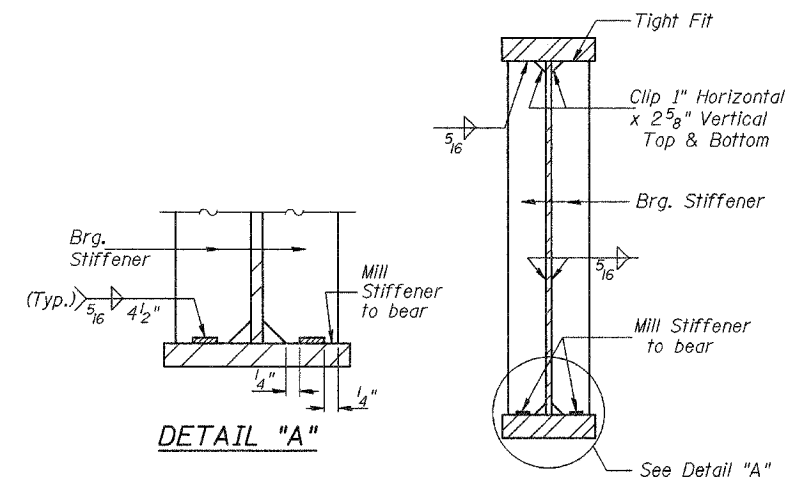
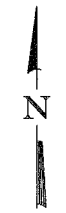
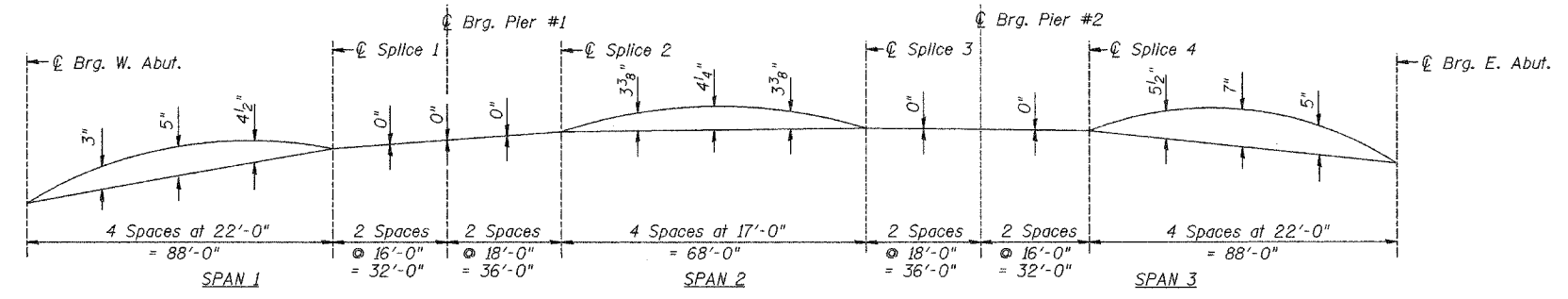
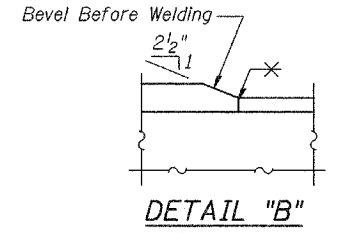
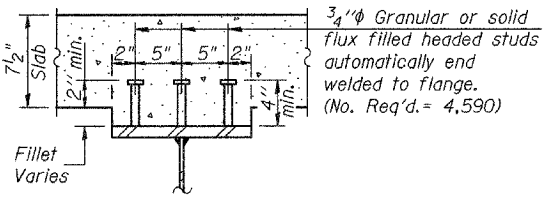


PLAN
End Diaphragm - D (10 Req'd)
Interior Diaphragm - D_I (90 Req'd)



GIRDER ELEVATION
"NTR" denotes plates for which Notch Toughness Requirements are applicable.



CAMBER DIAGRAM

DESIGNED	JOH
CHECKED	BRT
DRAWN	TRD
CHECKED	JOH

STRUCTURAL STEEL FRAMING PLAN
FAU ROUTE 6145 OVER
BNSF RAILROAD
SECTION 01-00590-00-BR (COUNTY)
LASALLE COUNTY
STATION 21+75.75
STR. NO. 050-8023

HUTCHISON ENGINEERING, INC.
JACKSONVILLE & JOLIET, ILLINOIS
Date: 8/26/2005