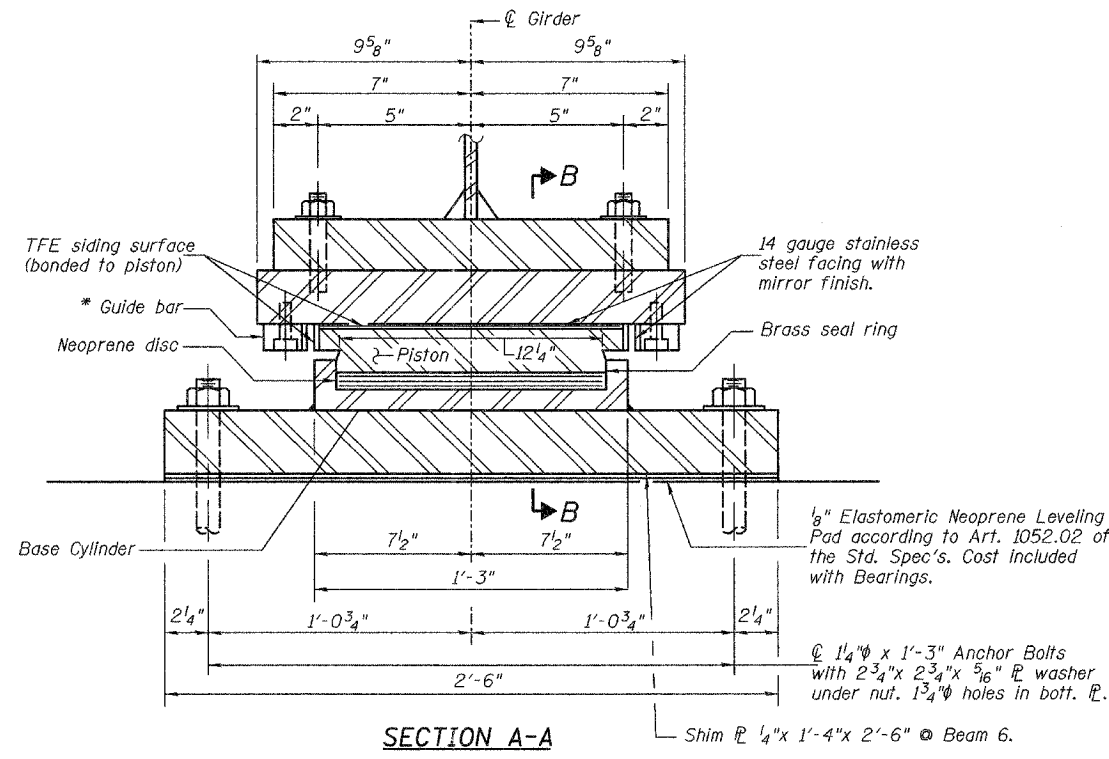
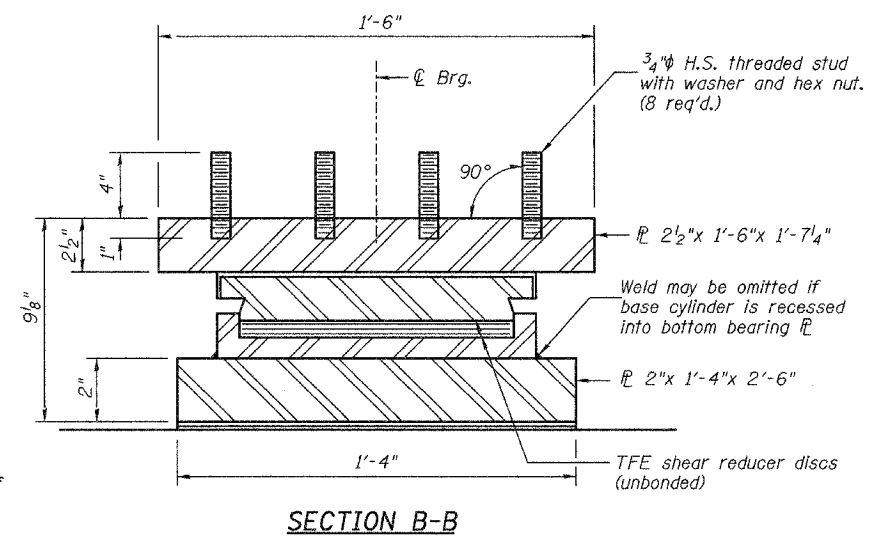


ELEVATION AT PIER 2



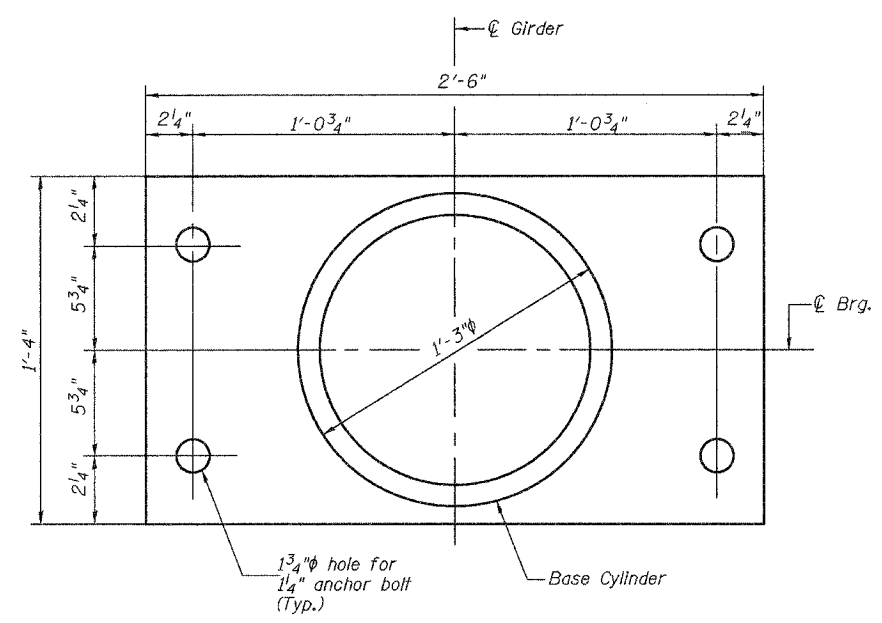
SECTION A-A



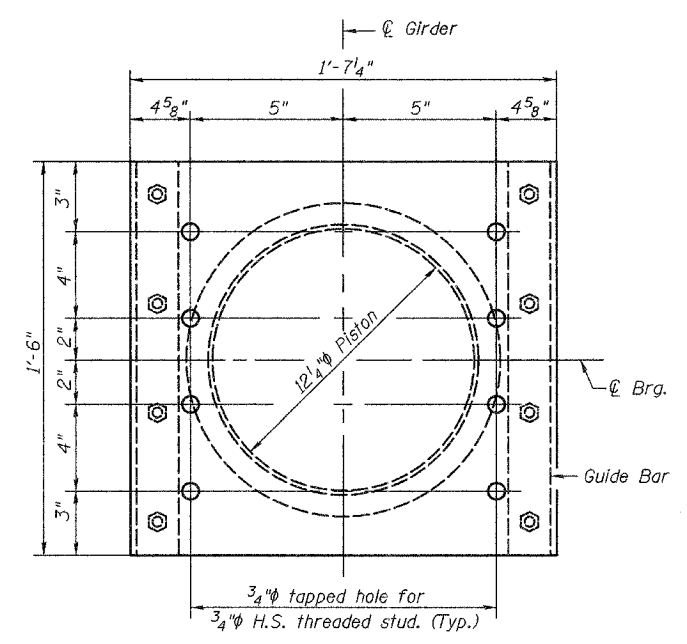
SECTION B-B

* As alternates to the bolted connection shown. The guide bars may be connected to the top bearing plate by groove welds or the guide bars and top bearing plate may be fabricated as a single piece.

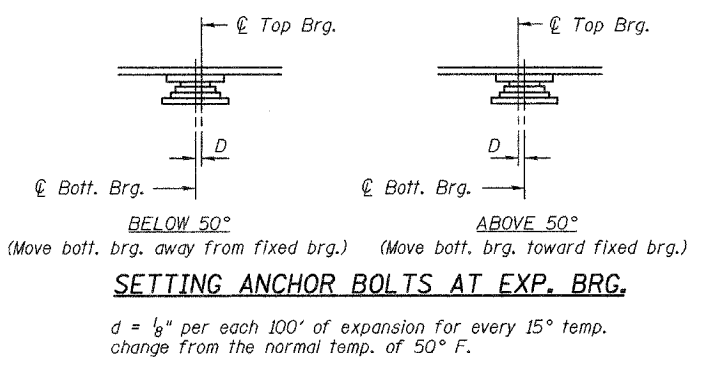
GUIDED EXPANSION FLOATING BEARING



BOTTOM BEARING AND BASE CYLINDER PLAN



TOP BEARING AND PISTON PLAN



Notes: The plates of the Bearing Assembly shall be AASHTO M270, Grade 50W. For anchor bolt installation details, see sheet 24 of 41.

BILL OF MATERIAL

Item	Unit	Total
Floating Bearings, Guided Expansion, 350 kip	Each	6

BEARING DATA

	Pier 2
Vertical design load	315 k
Total required movement	2"

BEARING DETAILS PIER 2
FAU ROUTE 6145 OVER
BNSF RAILROAD
SECTION 01-00590-00-BR (COUNTY)
LASALLE COUNTY
STATION 21+75.75
STR. NO. 050-8023

HUTCHISON ENGINEERING, INC.
 JACKSONVILLE & JOLIET, ILLINOIS
 Date: 8 /10 /2006

DESIGNED	JOH
CHECKED	BRT
DRAWN	TD
CHECKED	JOH