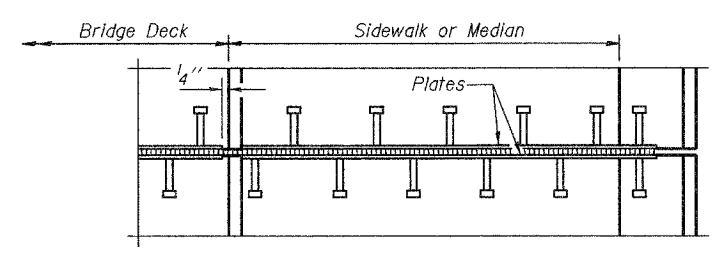


*Cut retainer bars in sidewalk or median 6" short of the sidewalk or median face.

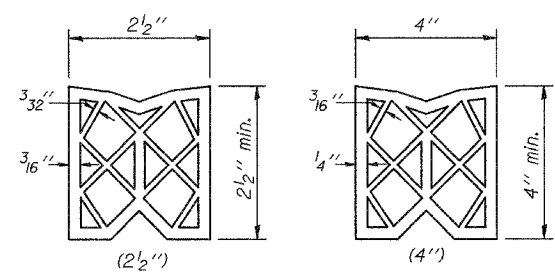
SECTION THRU EXPANSION JOINT
(2 1/2" and 4" joint seals)

Bridge Joint System (Expansion)		
Design Movement	Required Preformed Joint Seal Size	Required Strip Seal Rated movement
1"	2 1/2"	1"
1 5/8"	4"	2"

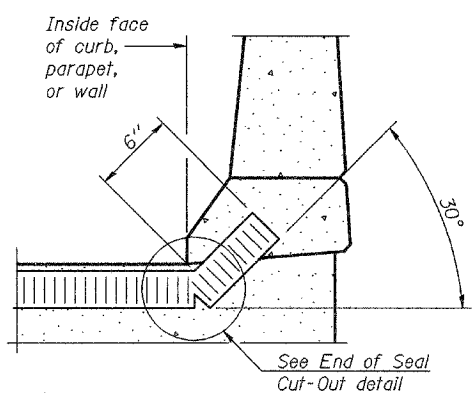


PLAN AT SIDEWALK OR MEDIAN

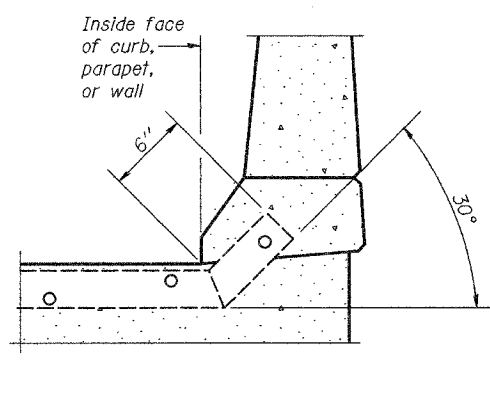
GENERAL NOTES
Furnish steel plates in segments of 20 feet maximum length. Maximum space between installed segments shall be 3/16". Seal space with silicone sealant suitable for structural steel.



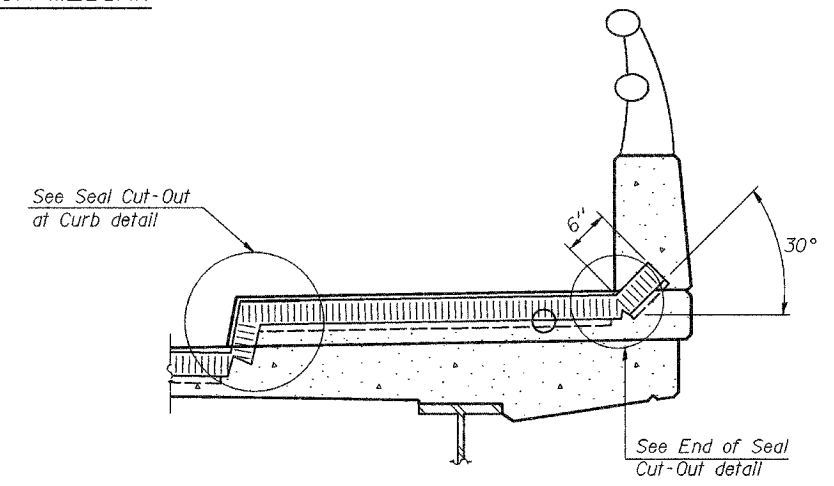
PREFORMED JOINT SEAL



AT CURB, PARAPET, OR WALL
(Showing seal)



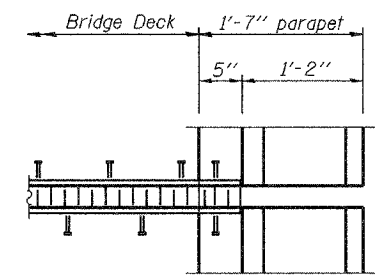
AT CURB, PARAPET, OR WALL
(Showing plate)



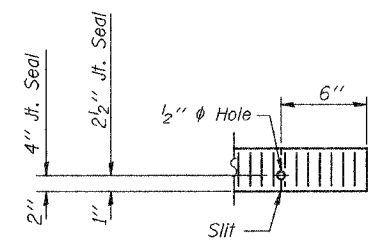
AT SIDEWALK OR MEDIAN*
(Showing plate and seal)

* Shorter plates with a single row of studs at 12" centers may be necessary on medians which are shallower than 9". See manufacturer's recommendation.

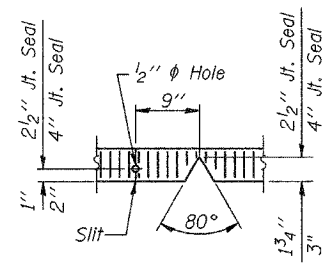
TYPICAL END TREATMENTS



PLAN AT PARAPET



END OF SEAL CUT-OUT



SEAL CUT-OUT AT CURB

BILL OF MATERIAL

Item	Unit	Total
Bridge Joint System (Expansion), 1 5/8"	FOOT	39

DESIGNED	JOH
CHECKED	BRT
DRAWN	TC
CHECKED	JOH

EJ-BJS 9-01-03

(Sheet 1 of 2)

BRIDGE JOINT SYSTEM - EXPANSION
(PREFORMED JOINT SEAL)
FAU ROUTE 6145 OVER
BNSF RAILROAD
SECTION 01-00590-00-BR (COUNTY)
LASALLE COUNTY
STATION 21+75.75
STR. NO. 050-8023

HUTCHISON ENGINEERING, INC.
JACKSONVILLE & JOLIET, ILLINOIS
Date: 3 /10 /2006