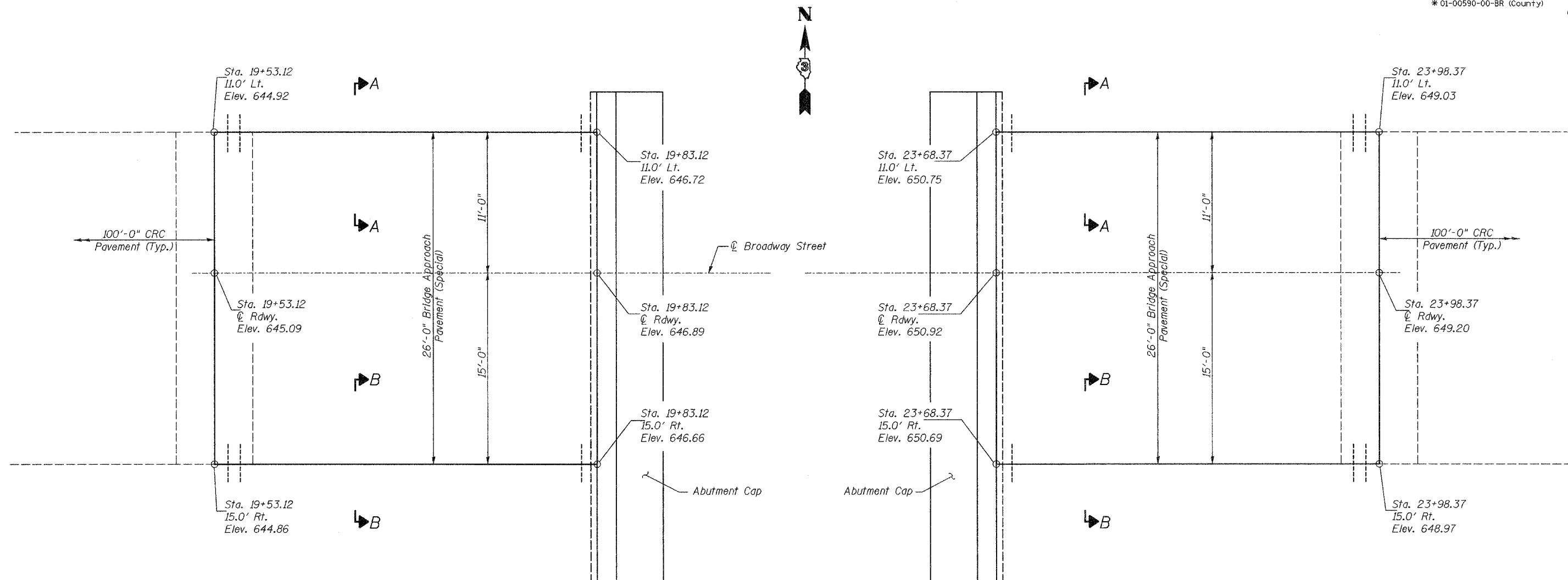


ROUTE NO.	SEC.	COUNTY	SHEET NO.	TOTAL SHEETS
FAU 6145	*	LASALLE	168	109
FED. ROAD DIST. NO. 3	BLDGES.	PROJECT		

SHEET NO. 29  
41 SHEETS

\* 01-00590-00-BR (County)

CONTRACT NO. 87293

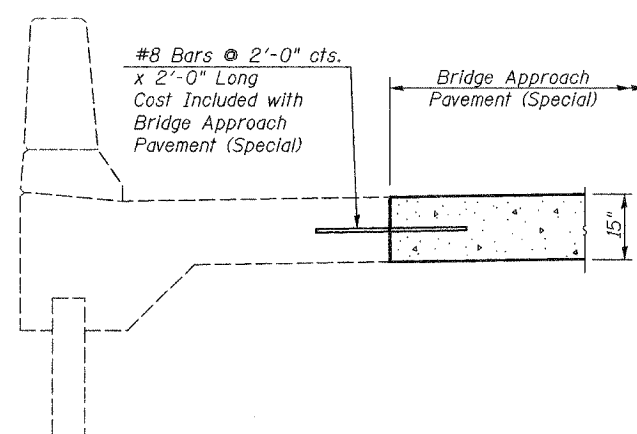


**PLAN - BRIDGE APPROACH PAVEMENT**

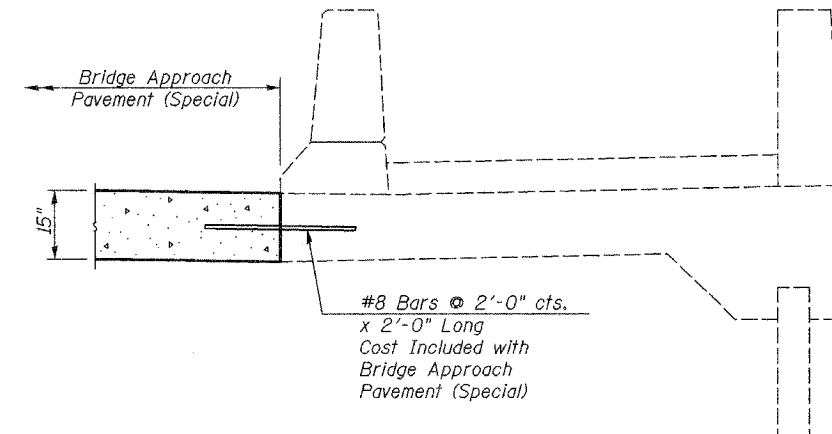
For additional details see Standard 420401.

**BILL OF MATERIAL**

Item	Unit	Total
Bridge Approach Pavement (Special)	Sq. Yd.	173



**SECTION A-A**



**SECTION B-B**

DESIGNED	JOH
CHECKED	BRT
DRAWN	TC & TD
CHECKED	JOH

**FOR INFORMATION ONLY**

**BRIDGE APPROACH PAVEMENT (SPECIAL)**  
**FAU ROUTE 6145**  
**SECTION 01-00590-00-BR (COUNTY)**  
**LASALLE COUNTY**  
**STATION 21+75.75**  
**STR. NO. 050-8023**

HUTCHISON ENGINEERING, INC.  
 JACKSONVILLE & JOLIET, ILLINOIS

Date: 3 /10 /2006