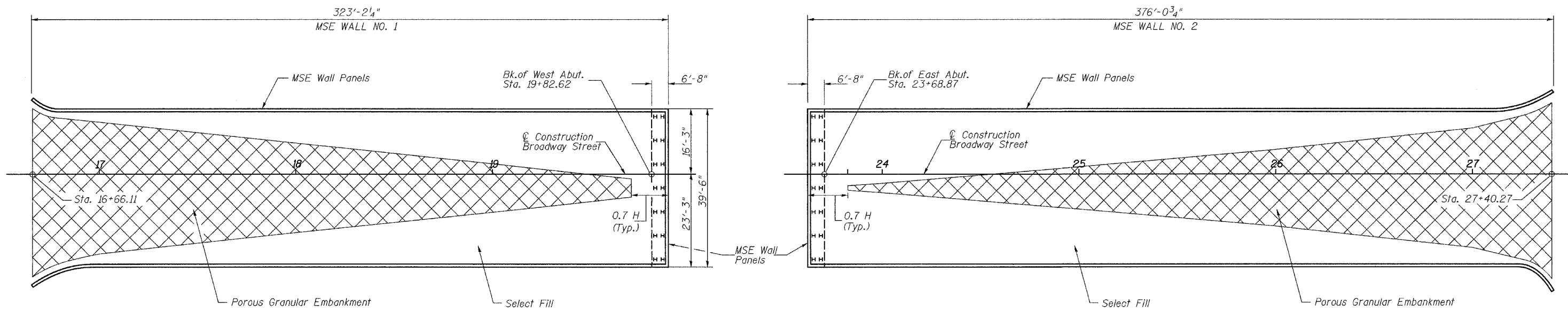


ROUTE NO.	SEC	COUNTY	SHEET NO.	SHEET
FAU 6145	*	LASALLE	168	124
FED. ROAD DIST. NO. 3	ILLINOIS	PROJECT		

SHEET NO. 3
23 SHEETS

* 01-00590-00-BR (County)

CONTRACT NO. 87293



WALL NO. 1

PLAN - MSE WALLS
(Not to Scale)



WALL NO. 2

DESIGNED	JOH
CHECKED	BRT
DRAWN	TD
CHECKED	JOH

**MECHANICALLY STABILIZED EARTH
RETAINING WALLS
GENERAL LAYOUT
FAU ROUTE 6145
SECTION 01-00590-00-BR (COUNTY)
LASALLE COUNTY
STATION 16+66.11 TO 27+40.27**

HUTCHISON ENGINEERING, INC.
JACKSONVILLE & JOLET, ILLINOIS

Date: 3 /10 /2006