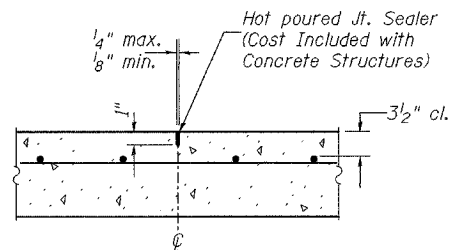


ROUTE NO.	SEC.	COUNTY	TOTAL SHEETS	SHEET NO.
FAU 6145	*	LASALLE	168	129
FED. ROAD DIST. NO. 3	ILLINOIS	PROJECT		

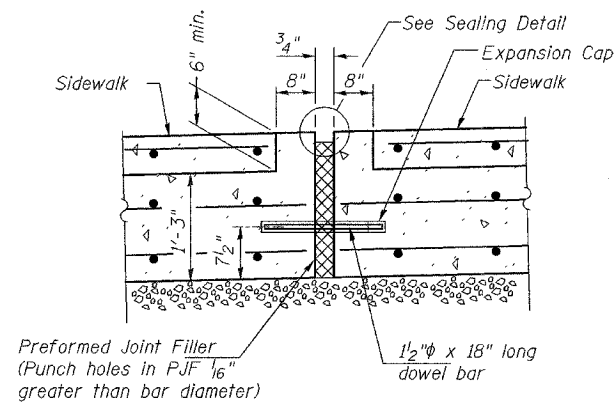
SHEET NO. 8
23 SHEETS

* 01-00590-00-BR (County)

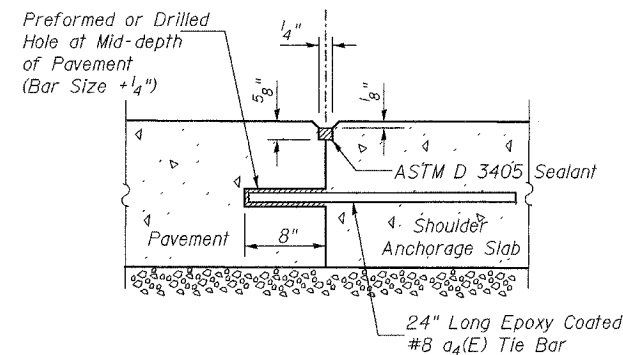
CONTRACT NO. 87293



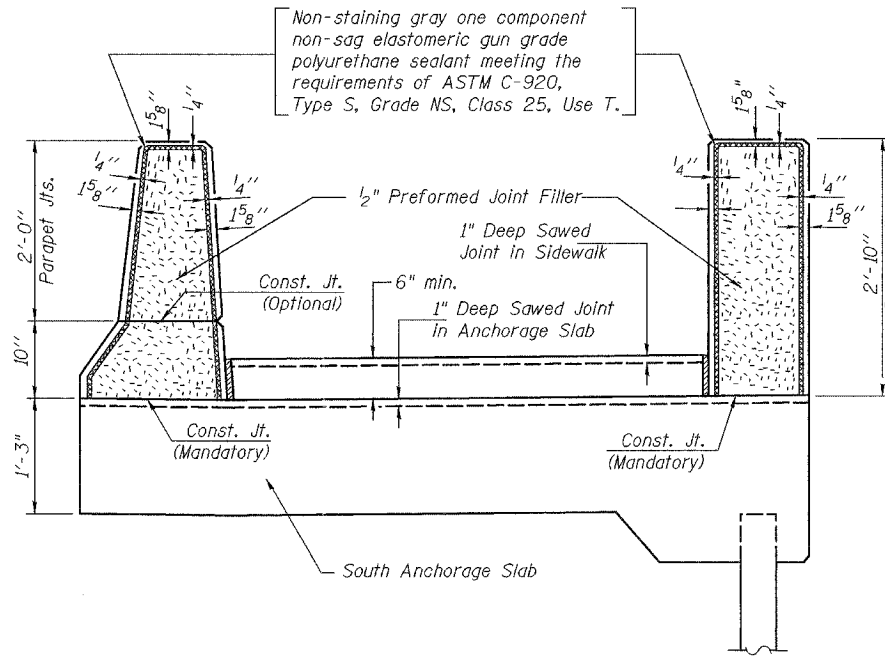
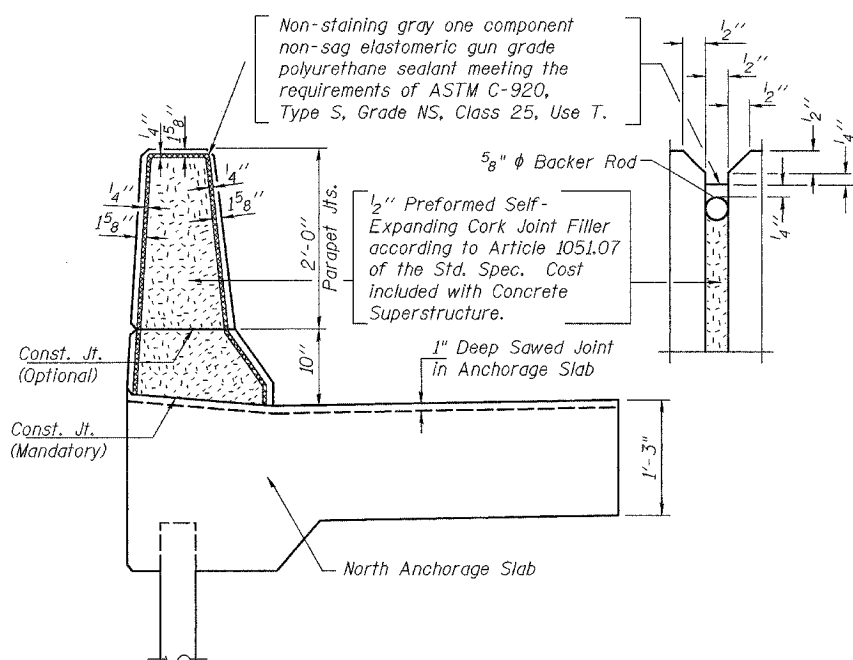
TRANSVERSE SAWED CONSTRUCTION JOINT DETAIL
(In Anchorage Slab)



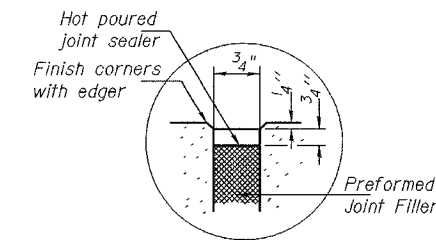
SECTION C-C
(Transverse Expansion Joint)



LONGITUDINAL CONSTRUCTION JOINT
GROUTED-IN-PLACE TIE BAR
(See Art. 420.10(d) of Standard Specifications)



PARAPET JOINT, SLAB & SIDEWALK
CONTRACTION JOINT DETAIL



SEALING DETAIL

DESIGNED	JOH
CHECKED	BRT
DRAWN	TD
CHECKED	JOH

NOTES

Reinforcement bars designated (E) shall be epoxy coated.
All edges shall have a 3/4 inch chamfer unless noted otherwise.
Sawed Construction Joints and Construction Joints in Shoulders, and grooved joints and expansion joints in Parapets, shall align with sawed contractions joints in PCC Pavement (Jointed)

PARAPET, SHOULDER & PAVEMENT JOINT DETAILS
FAU ROUTE 6145
SECTION 01-00590-00-BR (COUNTY)
LASALLE COUNTY
STATION 16+66.11 TO 27+40.27

HUTCHISON ENGINEERING, INC.
JACKSONVILLE & JOLIET, ILLINOIS

Date: 3/10/2006