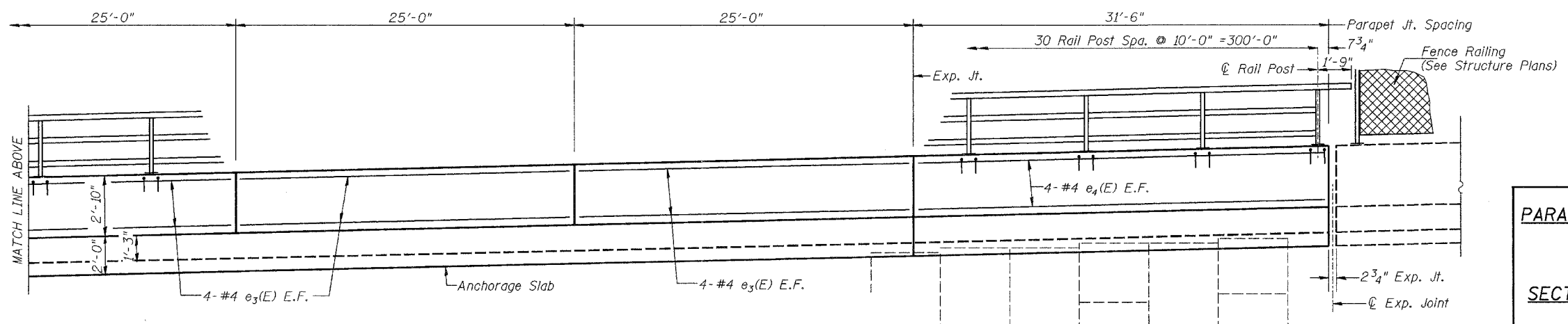
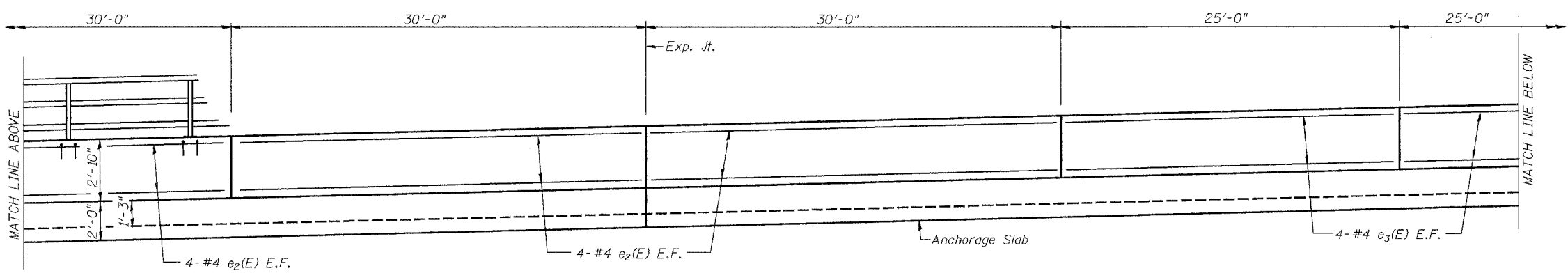
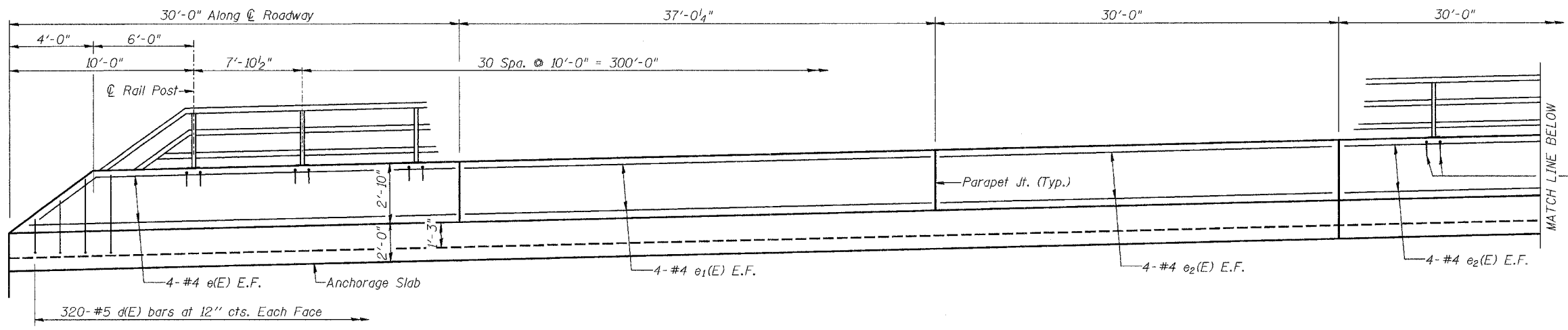
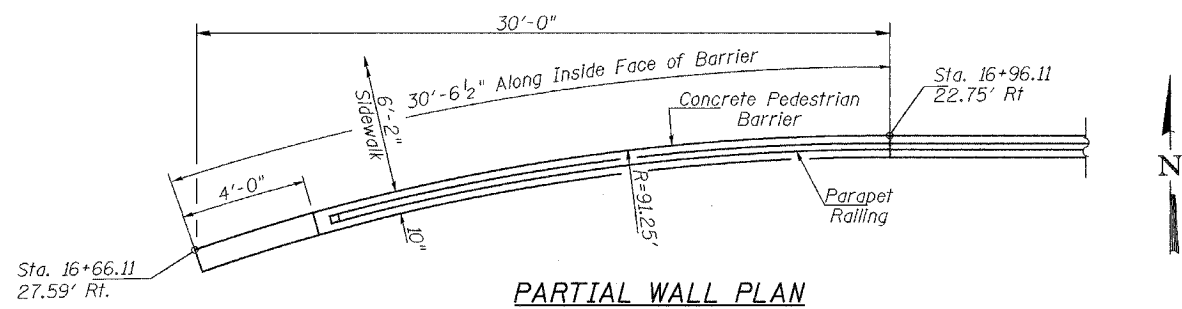


F.A.U. RTE.	SECTION	COUNTY	TOTAL SHEETS	SHEET NO.
6145	*	LASALLE	168	138
FED. ROAD DIST. NO. 3 ILLINOIS FED. AID PROJECT				

SHEET NO. 17
23 SHEETS

* 01-00590-00-BR (County)

CONTRACT NO. 87293



2-#4 d3(E) bars at each parapet rail post location

NOTE
Reinforcement in parapet included in Bar List on Sh.#13 of 23.

DESIGNED	JOH
CHECKED	BRT
DRAWN	TD
CHECKED	JOH

CONCRETE PEDESTRIAN BARRIER ELEVATION (South Parapet)
MSE WALL NO. 1
(Outside Face Looking North)

PARAPET JT. & RAIL POST SPACING
MSE WALL NO. 1
FAU ROUTE 6145
SECTION 01-00590-00-BR (COUNTY)
LASALLE COUNTY
STATION 16+66.11 TO 27+40.27

HUTCHISON ENGINEERING, INC.
JACKSONVILLE & JOLIET, ILLINOIS
Date: 3/10/2006