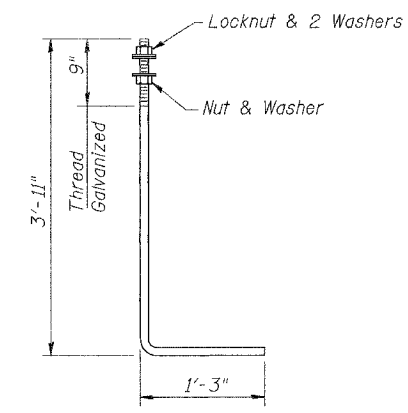
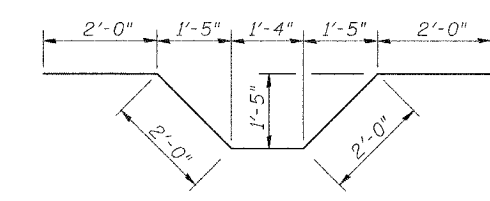


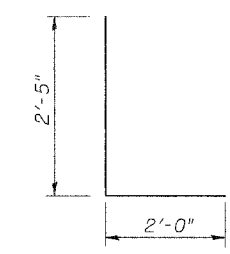
SECTION A-A



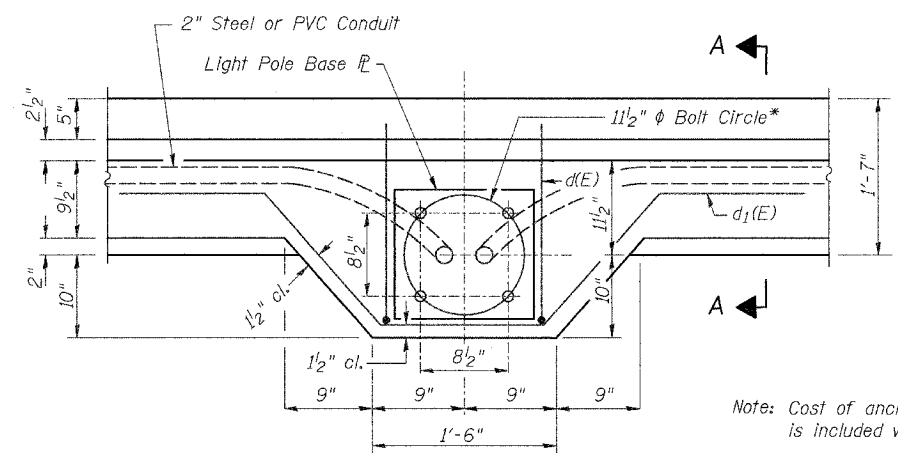
1" ϕ ANCHOR ROD
(ASTM F 1554 Grade 105)



BAR d₆(E)



BAR d₇(E)



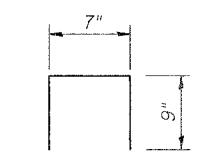
LIGHT POLE MOUNTING PLAN

* Match Light Pole Manufacturer Requirements.

Note: Cost of anchor rods is included with Light Pole.

LIGHT FIXTURE LOCATION

Location	Station	Offset
Wall No. 1	16+91.10	16.58' Rt.
Wall No. 1	18+14.62	16.58' Rt.
Wall No. 1	19+34.62	16.58' Rt.
Wall No. 2	24+33.37	16.58' Rt.
Wall No. 2	25+73.37	16.58' Rt.
Wall No. 2	27+15.27	16.58' Rt.



BAR d₈(E)

DESIGNED	JOH
CHECKED	BRT
DRAWN	TD
CHECKED	JOH

LIGHTING DETAILS
MSE WALL NO. 1 & 2
FAU ROUTE 6145
SECTION 01-00590-00-BR (COUNTY)
LASALLE COUNTY
STATION 16+66.11 TO 27+40.27

HUTCHISON ENGINEERING, INC.
 JACKSONVILLE & JOLIET, ILLINOIS
 Date: 3/10/2006