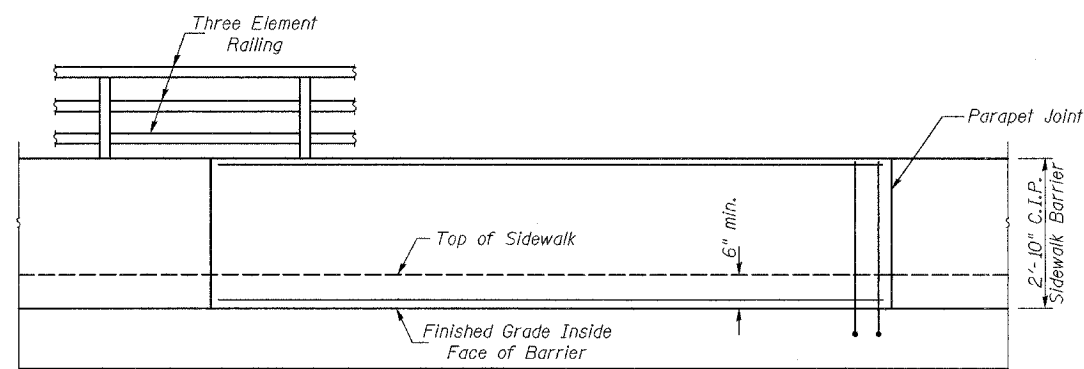
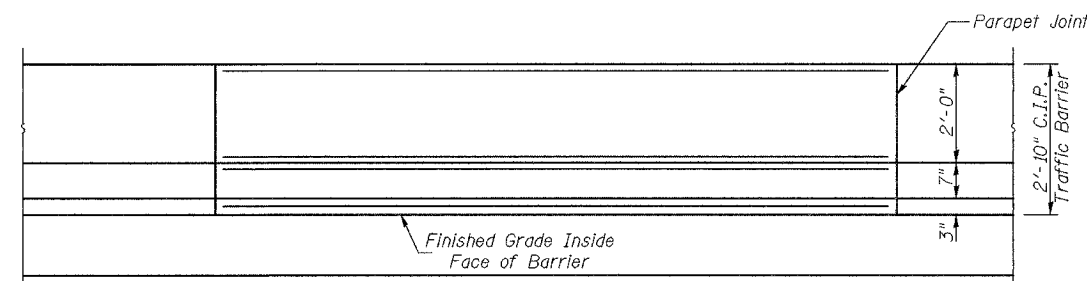


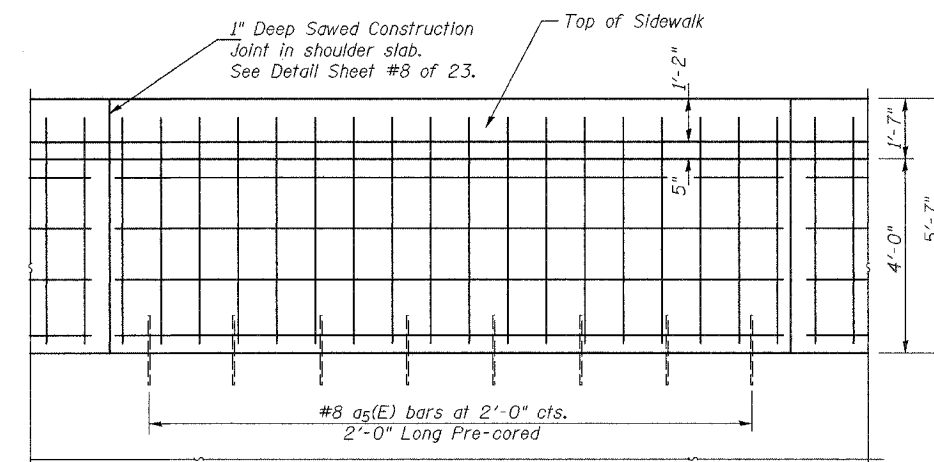
**PARAPET ELEVATION**  
(Traffic Barrier)



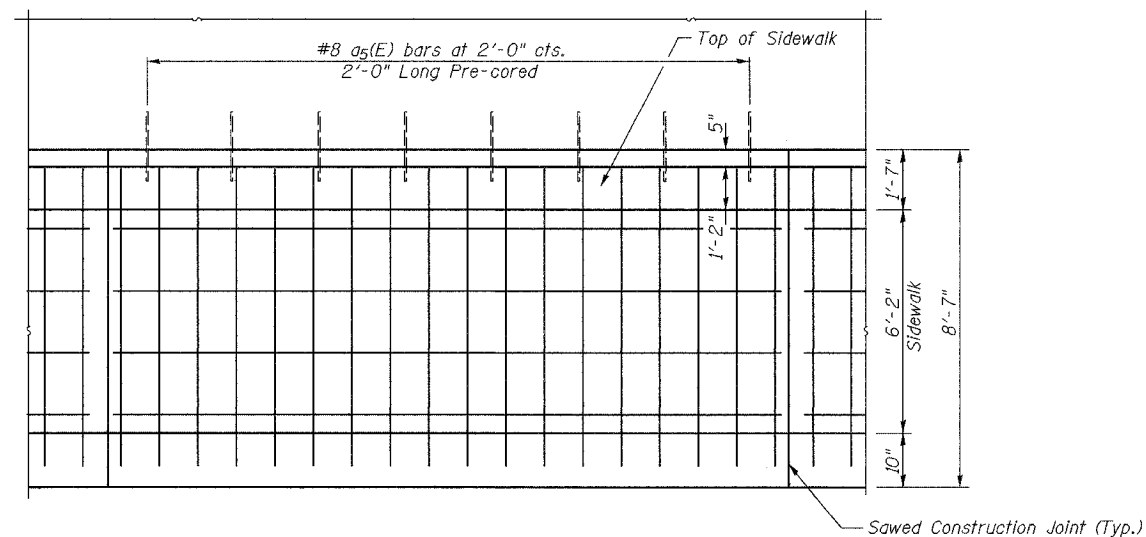
**PARAPET ELEVATION**  
(Sidewalk Barrier)



**PARAPET ELEVATION**  
(Traffic Barrier)



**PLAN - SHOULDER SLAB & CONCRETE BARRIER**  
(North Side)



**PLAN - SHOULDER SLAB & CONCRETE BARRIER**  
(South Side)

DESIGNED	JOH
CHECKED	BRT
DRAWN	TC & TD
CHECKED	JOH

**SHOULDER SLAB & PARAPET DETAILS**  
MSE WALL NO. 1 & 2  
FAU ROUTE 6145  
SECTION 01-00590-00-BR (COUNTY)  
LASALLE COUNTY  
STATION 16+66.11 TO 27+40.27

HUTCHISON ENGINEERING, INC.  
JACKSONVILLE & JOLIET, ILLINOIS

Date: 3 /10 /2006