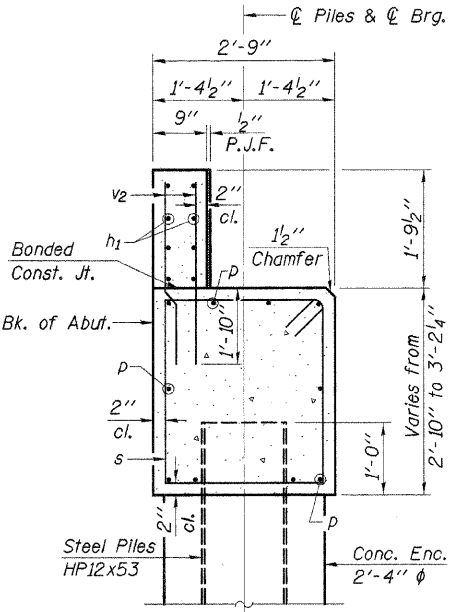
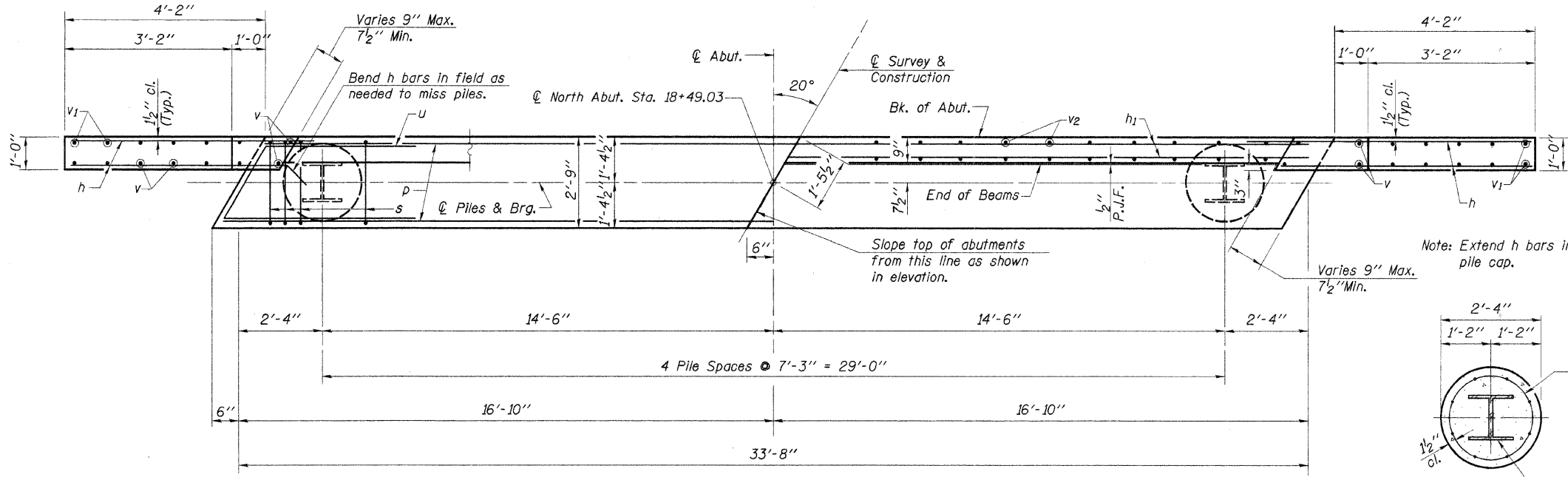


Note: After beams are in place and dowel rods grouted, the backwall and the portions of the wingwalls above the Bonded Construction Joint shall be poured.

ELEVATION
(Looking North)



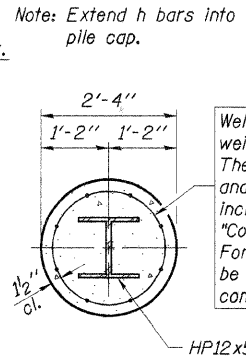
SECTION THRU ABUT.



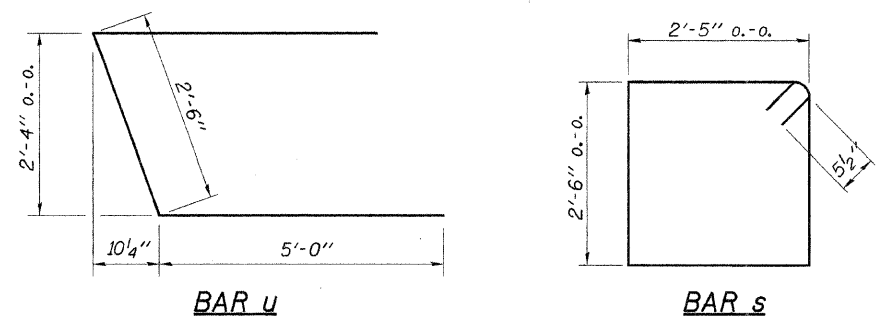
PLAN

**NORTH ABUTMENT
BILL OF MATERIAL**

Bar	No.	Size	Length	Shape
h	28	#5	6'-3"	—
h ₁	12	#4	17'-9"	—
p	10	#7	33'-4"	—
s	34	#5	10'-9"	□
u	8	#6	12'-6"	▤
v	16	#4	4'-4"	—
v ₁	12	#4	3'-9"	—
v ₂	64	#4	3'-5"	—
Concrete Structures			Cu. Yd.	13.4
Reinforcement Bars			Pound	1760
Test Pile Steel HP12x53			Each	1
Steel Piles HP12x53			Foot	180
Concrete Encasement			Cu. Yd.	2.4



PILE DATA



PILE DATA

Type..... Steel Piles HP12x53
 No. Req'd..... 5**
 Design Capacity..... 40 Tons/Pile
 Drive to..... 60 Tons/Pile
 Est. Length..... 45 Feet/Pile

**Includes 1 Test Pile to be driven in a permanent location at the North Abutment.

DESIGNED	S.F.M.
CHECKED	F.J.S.
DRAWN	S.A.P. & J.P.S.
CHECKED	S.F.M.

NORTH ABUTMENT

SECTION 03-00295-00-BR
 VILLAGE OF CISSNA PARK
 IROQUOIS COUNTY
 STATION 19+11

4440 ASH GROVE SPRINGFIELD, IL 62711 (217) 793-8800 www.fehr-graham.com	FEHR-GRAHAM & ASSOCIATES, LLC ENGINEERING AND SCIENCE CONSULTANTS	JOB NO.: 9709 FILE: ABUT-30R-BW.DGN DATE: 06/14/05
--	---	--