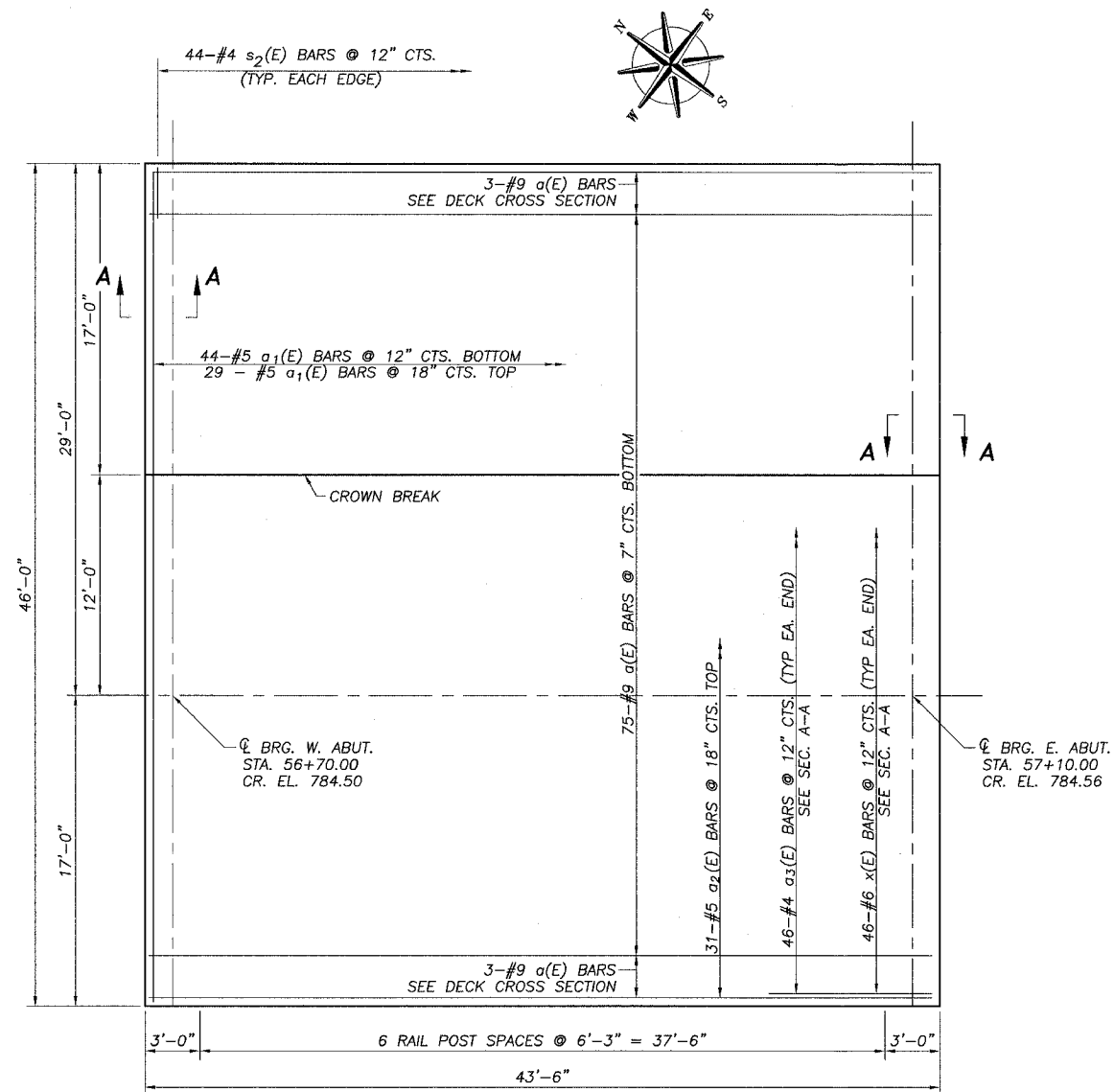


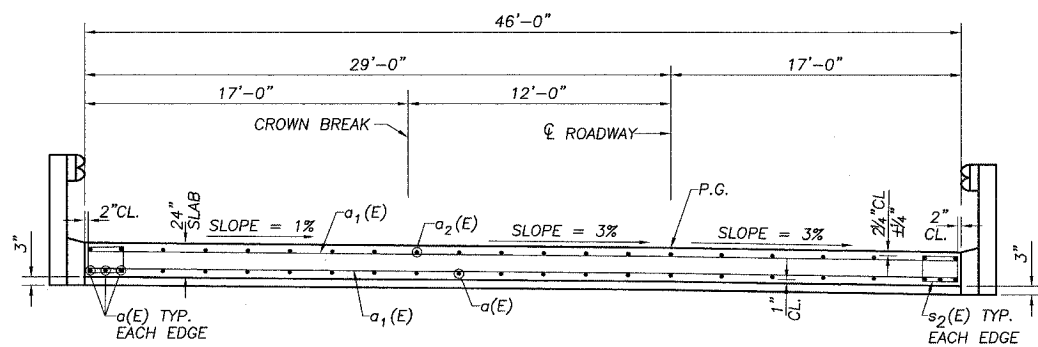
FAS ROUTE NO.	SEC.	COUNTY	TOTAL SHEETS	SHEET NO.
-	*	DEKALB	21	16

ILLINOIS PROJECT BR-1122(107)

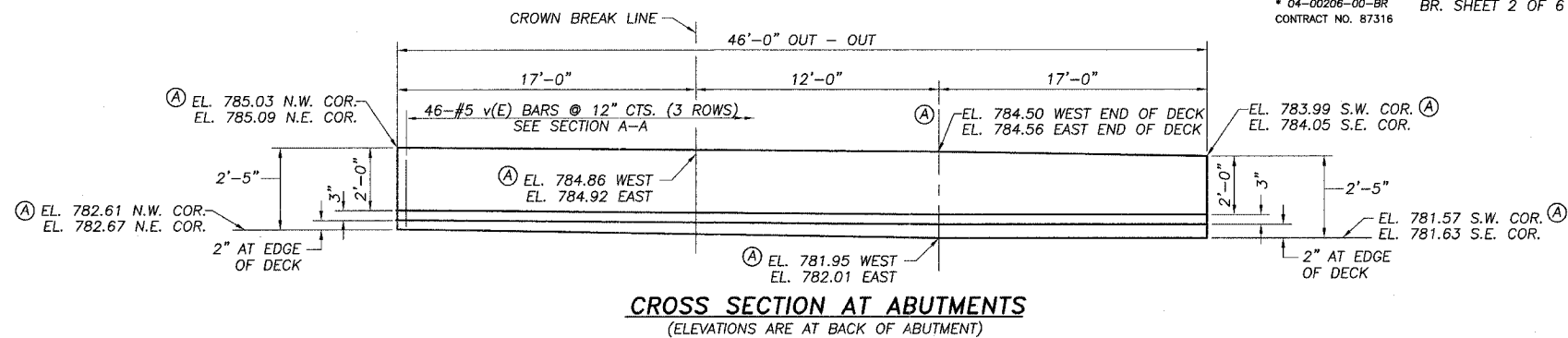
* 04-00206-00-BR BR. SHEET 2 OF 6
CONTRACT NO. 87316



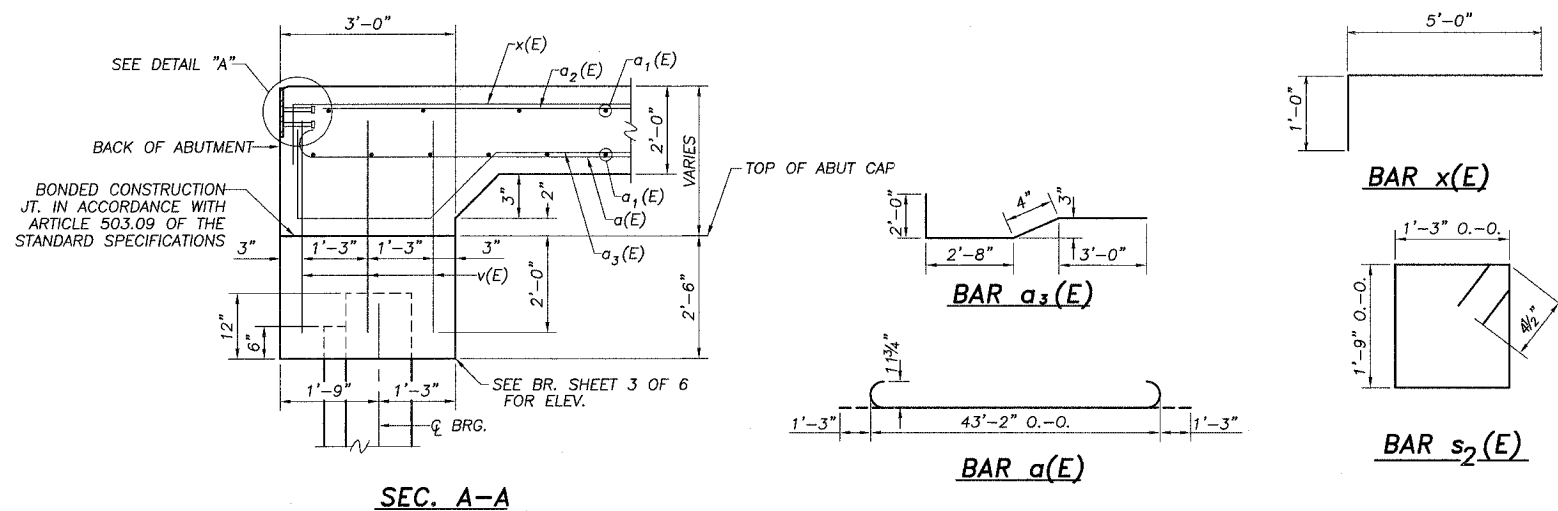
PLAN



CROSS SECTION THRU DECK



CROSS SECTION AT ABUTMENTS
(ELEVATIONS ARE AT BACK OF ABUTMENT)



SEC. A-A

** FURNISH IN THREE LENGTHS. MAXIMUM SPACE BETWEEN INSTALLED SEGMENTS SHALL BE 3/16". SEAL SPACE WITH SILICONE SEALANT SUITABLE FOR STRUCTURAL STEEL.

** 3/4" x 7" PLATE FABRICATE TO CROWN (TYP.)
BACK OF ABUTMENT
3/4" x 8" GRANULAR OR SOLID FLUX FILLED HEADED STUDS CONFORMING TO ARTICLE 706.32 OF THE STANDARD SPECIFICATIONS AUTOMATICALLY END WELDED. AT 12" ALT. CTS.

3/16" HOLES AT 12"CTS. FOR 3/8" BOLTS. ALL BOLTS SHALL BE BURNED, SAWED OR CHIPPED OFF FLUSH WITH THE PLATES AFTER FORMS ARE REMOVED.

DETAIL "A"

NOTE: AFTER FABRICATION ALL SURFACES OF THE STEEL PLATES SHALL BE GIVEN ONE SHOP COAT OF PAINT SPECIFIED FOR STRUCTURAL STEEL. NO FIELD PAINTING REQUIRED.

BILL OF MATERIAL - SUPERSTRUCTURE

BAR	NO.	SIZE	LENGTH	SHAPE
a(E)	81	#9	45'-8"	U
a1(E)	73	#5	45'-8"	—
a2(E)	31	#5	43'-2"	—
a3(E)	92	#4	8'-0"	U
s2(E)	88	#4	6'-9"	□
v(E)	276	#5	4'-0"	—
x(E)	92	#6	6'-0"	U
CONCRETE SUPERSTRUCTURES			CU. YD.	152.6
REINFORCEMENT BARS EPOXY COATED			LBS.	20320
PROTECTIVE COAT			SQ. YD.	242
BRIDGE DECK GROOVING			SQ. YD.	222
FURNISHING AND ERECTING STRUCTURAL STEEL			LBS.	1769

* INCLUDES END OF DECK PLATES AND STUDS
REINFORCEMENT BARS INDICATED (E) SHALL BE EPOXY COATED.

SUPERSTRUCTURE
SECTION 04-00206-00-BR
CHERRY VALLEY ROAD
DEKALB COUNTY
S.N. 019-3061