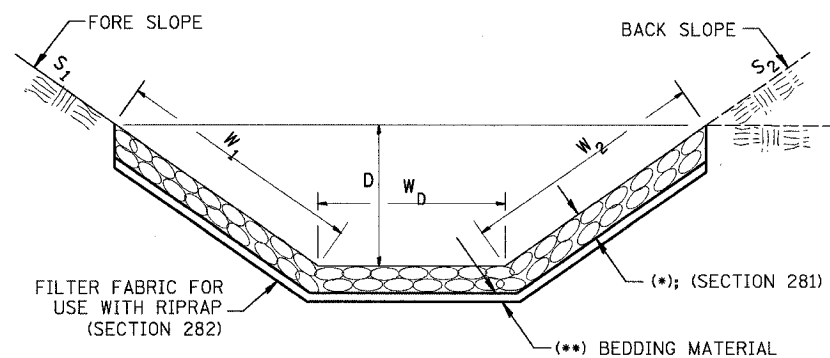


F.A.P. RTE.	SECTION	COUNTY	TOTAL SHEETS	SHEET NO.
646	(Y)W-1, RS-3	PEORIA	142	102
STA. N/A		TO STA. N/A		
FED. ROAD DIST. NO.	ILLINOIS FED. AID PROJECT			

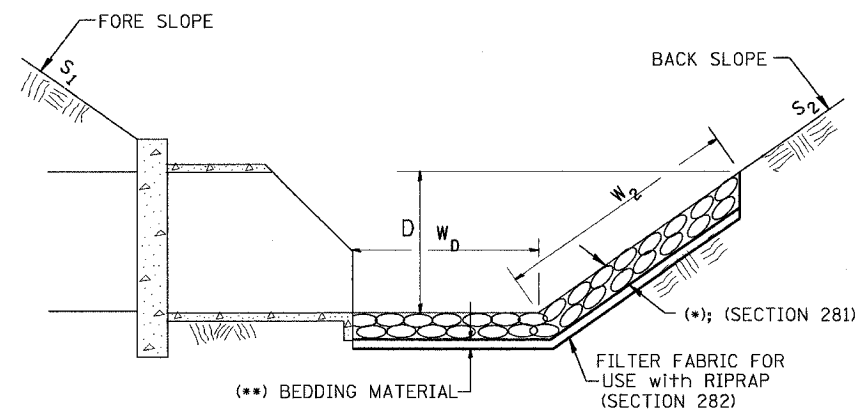
**CASE 1
(DITCH)**



(*)				
LOCATION	WIDTH (1)	LENGTH	RIPRAP	FABRIC
STA TO STA	m (lin ft)	m (lin ft)	m tons (tons)	m ² (sq yds)
TOTAL				

(1) WIDTH = $W_1 + W_2 + W_D$

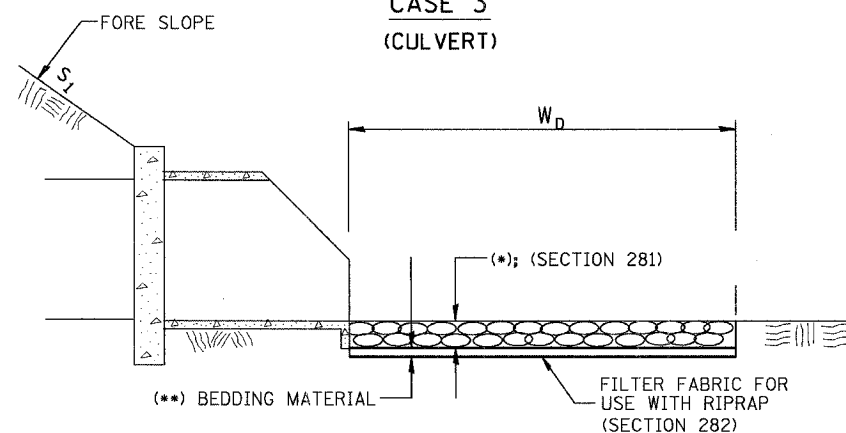
**CASE 2
(CULVERT & SLOPE)**



(*)				
LOCATION	WIDTH (1)	LENGTH	RIPRAP	FABRIC
STA TO STA	m (lin ft)	m (lin ft)	m tons (tons)	m ² (sq yds)
TOTAL				

(1) WIDTH = $W_2 + W_D$

**CASE 3
(CULVERT)**



(*)				
LOCATION	WIDTH (1)	LENGTH	RIPRAP	FABRIC
STATION	m (lin ft)	m (lin ft)	m tons (tons)	m ² (sq yds)
FRONTAGE RD #2				
2+415	5.0	6.0	21.4	30
TOTAL			21.4	30

(1) WIDTH = W_D

1. Designer to specify riprap size, quantity, and bedding material.
 2. Designer to specify thickness of bedding material.
 3. Designer to specify thickness of bedding material.
 4. Include District Special Provision if needed.

DATE

All slope ratios are expressed as units of vertical displacement to units of horizontal displacement (V:H).

All dimensions are in millimeters (inches) unless otherwise noted.

ILLINOIS DEPARTMENT OF TRANSPORTATION

SPECIAL DETAIL SHEET

RIPRAP DITCH FOR EROSION PROTECTION

CADD DETAIL 281001-D4

SCALE: NOT DRAWN TO SCALE

DRAWN BY CADD

DATE

CHECKED BY

DATE	REVISIONS	BY
1-1-97	RENUM. A-12.02, NEW REVISION BOX	T.P.
12-1-97	CORRECT FILTER FABRIC LEADER ARROW	J.A.