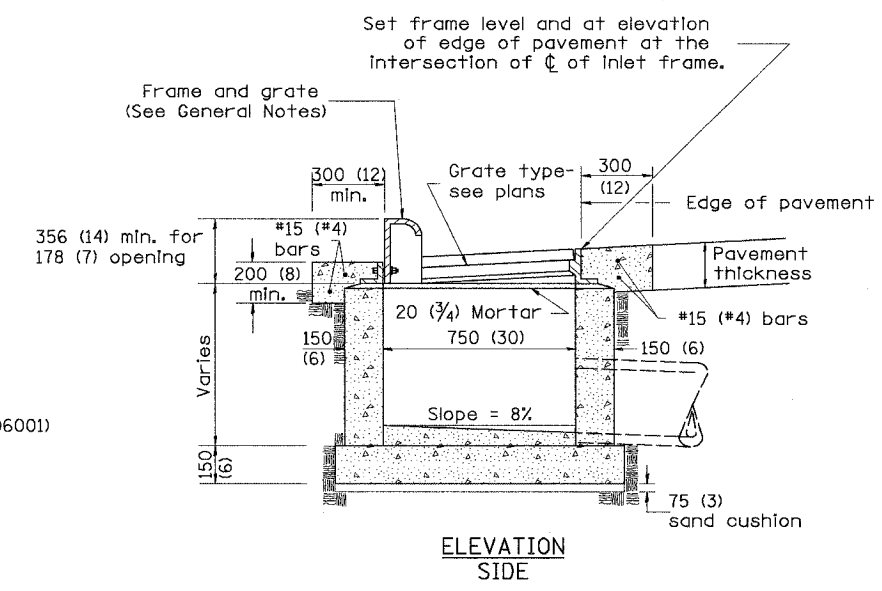
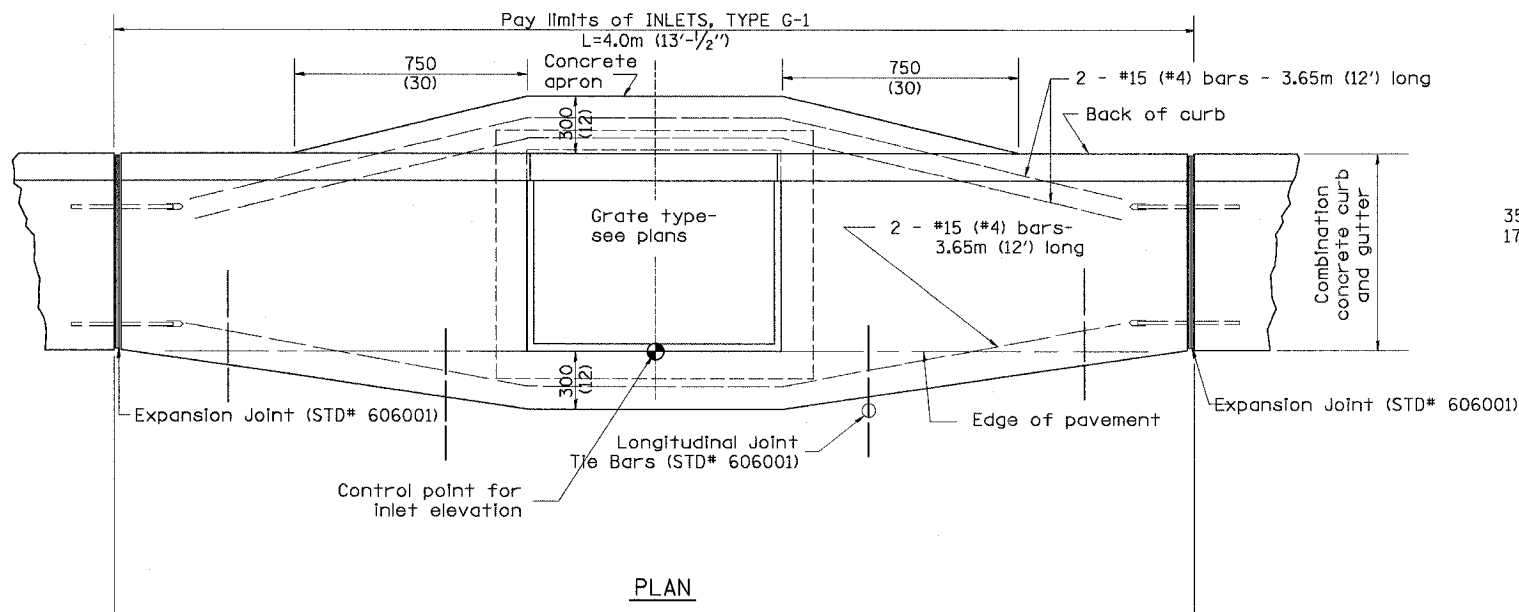
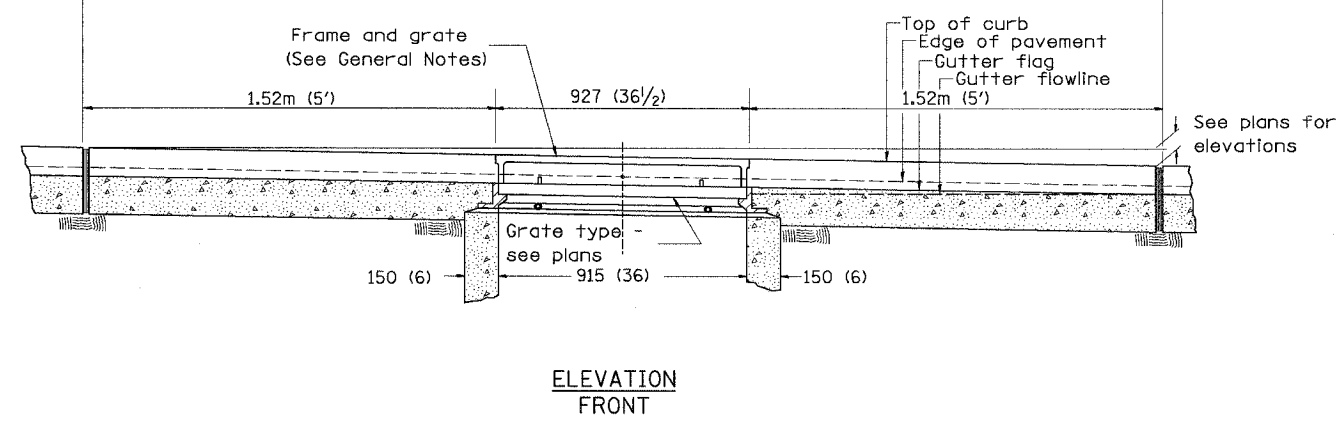


F.A.P. RTE.	SECTION	COUNTY	TOTAL SHEETS	SHEET NO.
646	(Y)W-1, RS-3	PEORIA	142	104
STA. N/A	TO STA. N/A			
FED. ROAD DIST. NO.	ILLINOIS	FED. AID PROJECT		



GENERAL NOTES

1. Inlet construction shall be in accordance with Section 602 of the Standard Specifications.
2. Combination Concrete Curb & Gutter shall be constructed in accordance with Section 606 of the Standard Specifications.
3. See District CADD Standard 604001-D4 for frame and grates.



1. Include State Standard 420001 for combination concrete curb and gutter details.
 2. Include State Standard 420001 for pavement joints.
 3. Include District CADD Standard for frame and grates and specify grate type in plans.
 4. Include District CADD Special Provision. Pay Item includes transitional c.c. & g., Inlet and frame and grate.
 5. The designer should include pavement removal quantities when the apron requires pavement removal.
 \$\$\$DATE\$\$\$

All dimensions are in millimeters (Inches) unless otherwise noted.

ILLINOIS DEPARTMENT OF TRANSPORTATION
DISTRICT CADD STANDARD

DATE	REVISIONS	BY
1-1-97	RENUM. B-4.01, NEW REVISION BOX	T.P.
10-99	REVISION TO GENERAL NOTES	J.A.
2-00	REVISION TO DESIGNER NOTES	J.A.

INLETS, TYPE G-1
CADD STD NO. 602001-D4
SCALE NOT TO SCALE
DATE \$\$\$DATE\$\$\$
DRAWN BY CADD
CHECKED BY