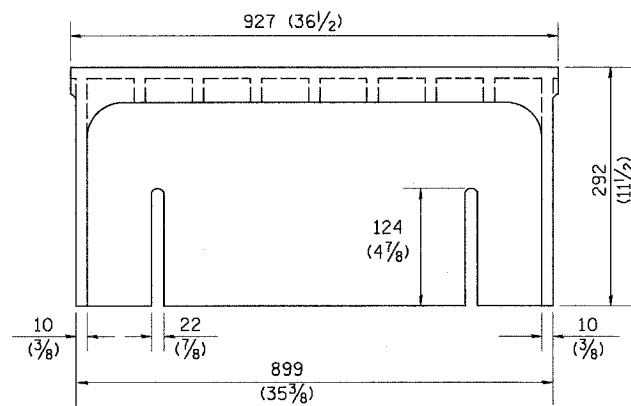
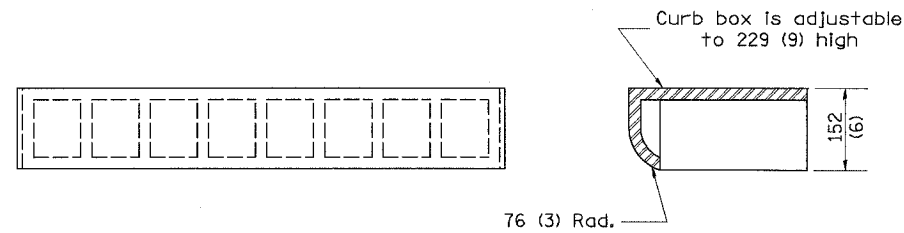
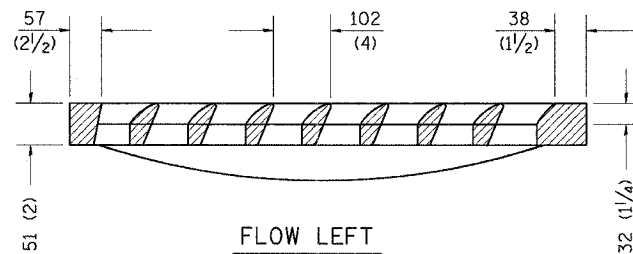
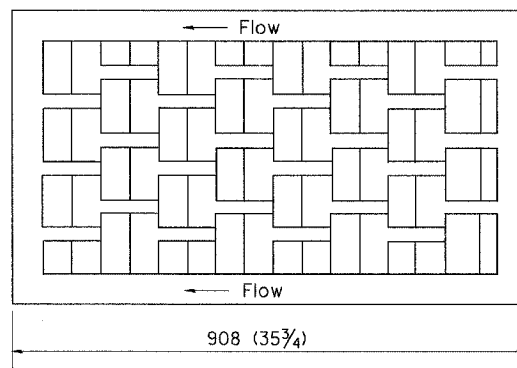


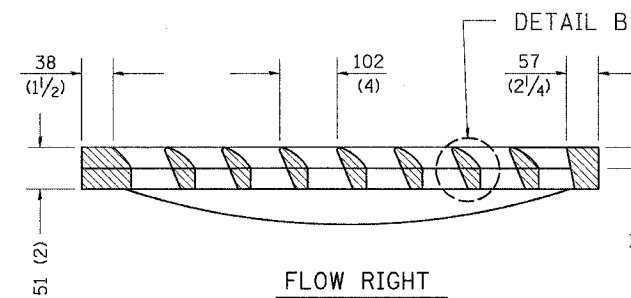
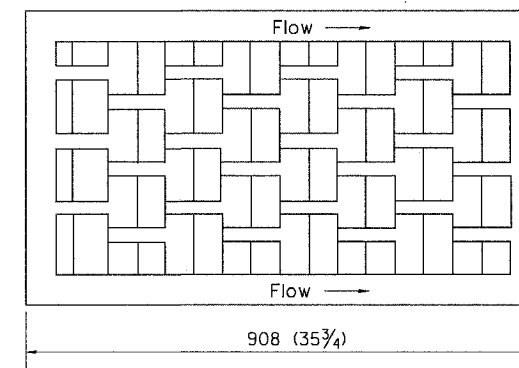
F.A.P. RTE.	SECTION	COUNTY	TOTAL SHEETS	SHEET NO.
646	(YW-1, RS-3)	PEORIA	142	105
STA. N/A	TO STA. N/A			
FED. ROAD DIST. NO.	ILLINOIS FED. AID PROJECT			



**CAST CURB BOX**  
50 kg (110 lbs.)

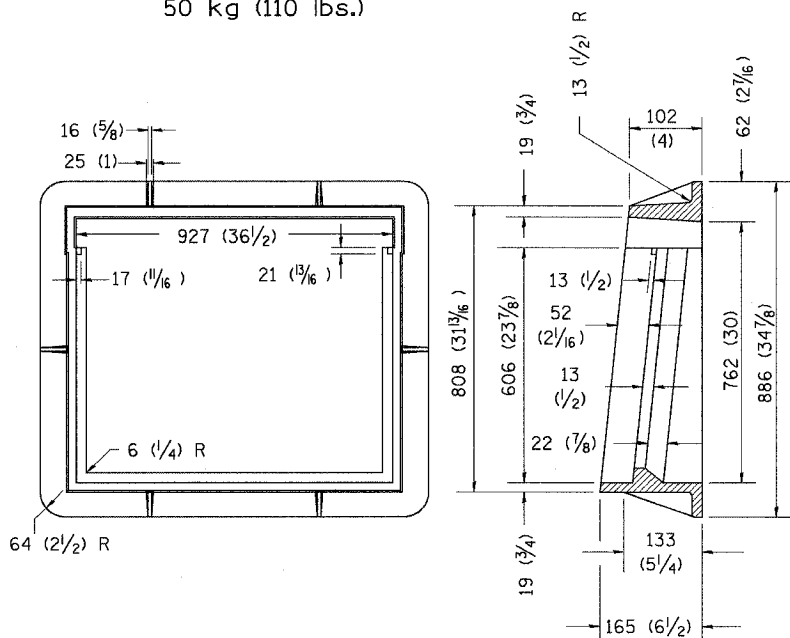
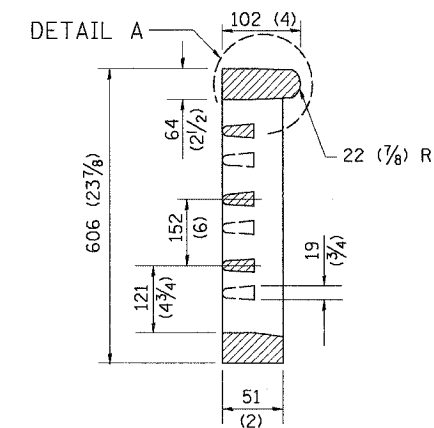


**FLOW LEFT**

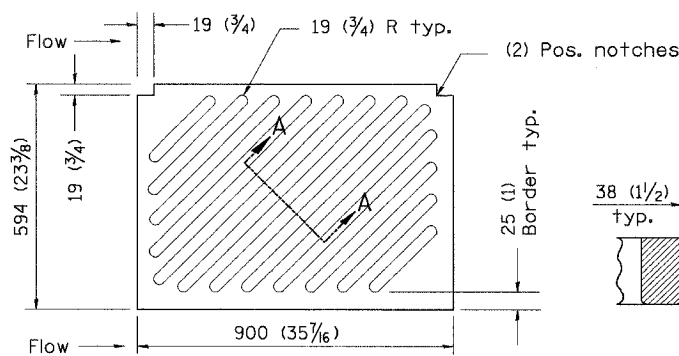


**FLOW RIGHT**

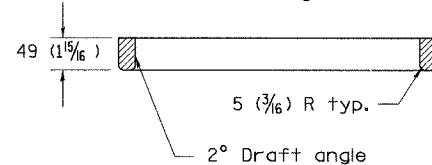
**CAST VANE GRATES**  
(SPECIFY LEFT OR RIGHT FLOW)  
104 KG (230 lbs.)



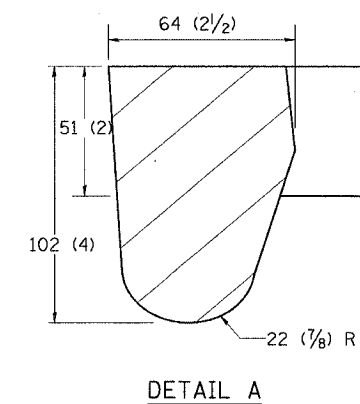
**CAST FRAME**  
123 kg (271 lbs.)



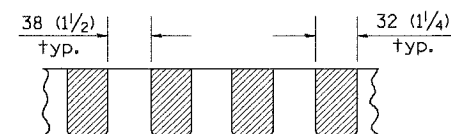
NOTE: Flow right shown



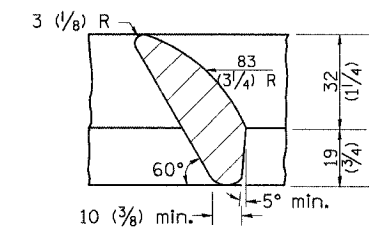
**CAST DIAGONAL GRATE**  
(Reversible for flow)  
98 kg (217 lbs.)



**DETAIL A**



**SECTION A-A**



**DETAIL B**

**GENERAL NOTES**

- The frame and grate shown on this drawing are for use with all TYPE G-1 and TYPE G-1, SPECIAL DRAINAGE STRUCTURES. See plans for grate type and flow direction.
- Flow direction: As viewed from street side.
- Material: cast gray iron.

DATE	REVISIONS	BY
1-1-97	RENLM. B-10.01, NEW REVISION BOX	T.P.

All dimensions are in millimeters (Inches) unless otherwise noted.

ILLINOIS DEPARTMENT OF TRANSPORTATION  
DISTRICT CADD STANDARD  
FRAME AND GRATES FOR  
TYPE G-1 AND TYPE G-1, SPECIAL  
DRAINAGE STRUCTURES  
CADD STANDARD 604001-D4  
SCALE NOT TO SCALE  
DATE \*\*DATE\*\*

DRAWN BY CADD  
CHECKED BY

4. This drawing based upon "NEENAH" designs as follows:  
 Inlet Frame: R-3246-A, Curb Box: R-3250  
 Reversible Diagonal Grates: R-3246-A  
 Vane Grates: R-3246-AL (flow left)  
 R-3246-AR (flow right)

\$\$\$DATE\$\$\$