

STATE OF ILLINOIS  
DEPARTMENT OF TRANSPORTATION

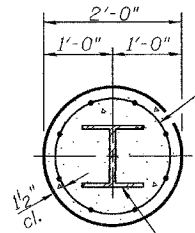
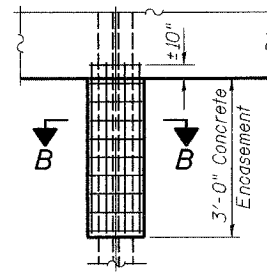
ROUTE NO.	SECTION	COUNTY	TOTAL SHEETS	SHEET NO.	SHEET NO. 15
S.B.I. 1	(8C)B-2	WABASH	36	26	21 SHEETS
FED. ROAD DIST. NO. 7	ILLINOIS	FED. AID PROJECT			

Contract #94783

**PILE DATA**

Type: Steel HP12x53  
Nominal Req'd. Bearing: 354 kips  
Factored Resistance Available: 177 kips  
Est. Length: 68'  
No. Required: 6+1 Test Pile

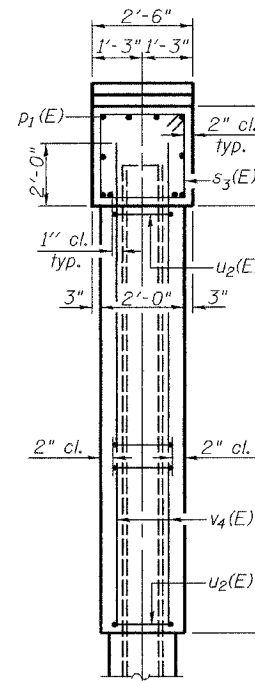
Note: Drive all Piles only to the Nominal Required Bearing including Test Pile.



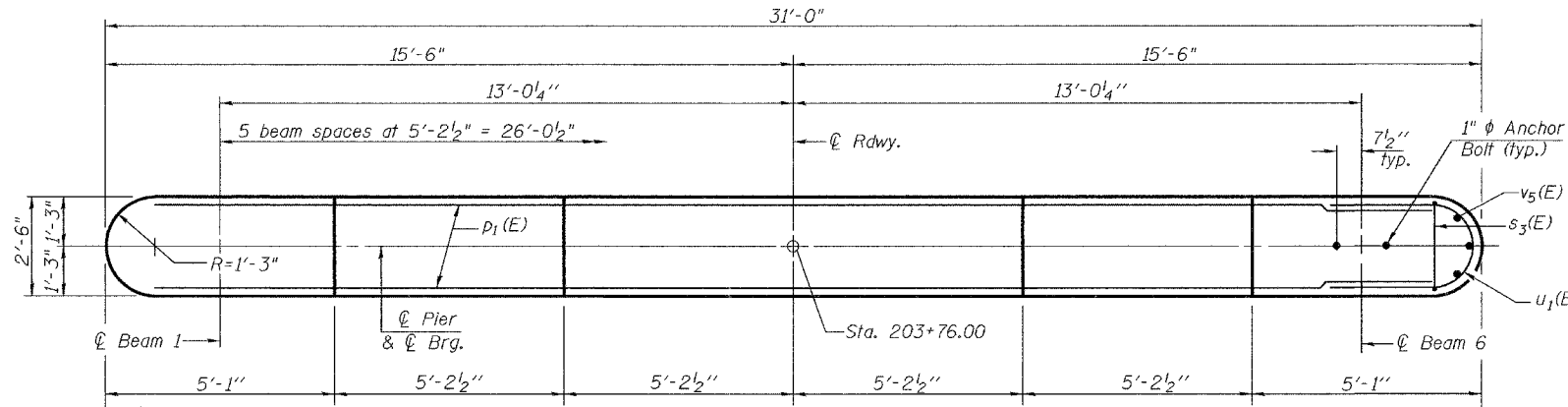
Welded wire fabric 6x6-W4.0xW4.0 weighing 58#/100 sq. ft. The cost of Excavation, Concrete Encasement and Reinforcement is included with Furnishing Piles. Forms for Encasement may be omitted when soil conditions permit.

SECTION B-B  
HP12x53

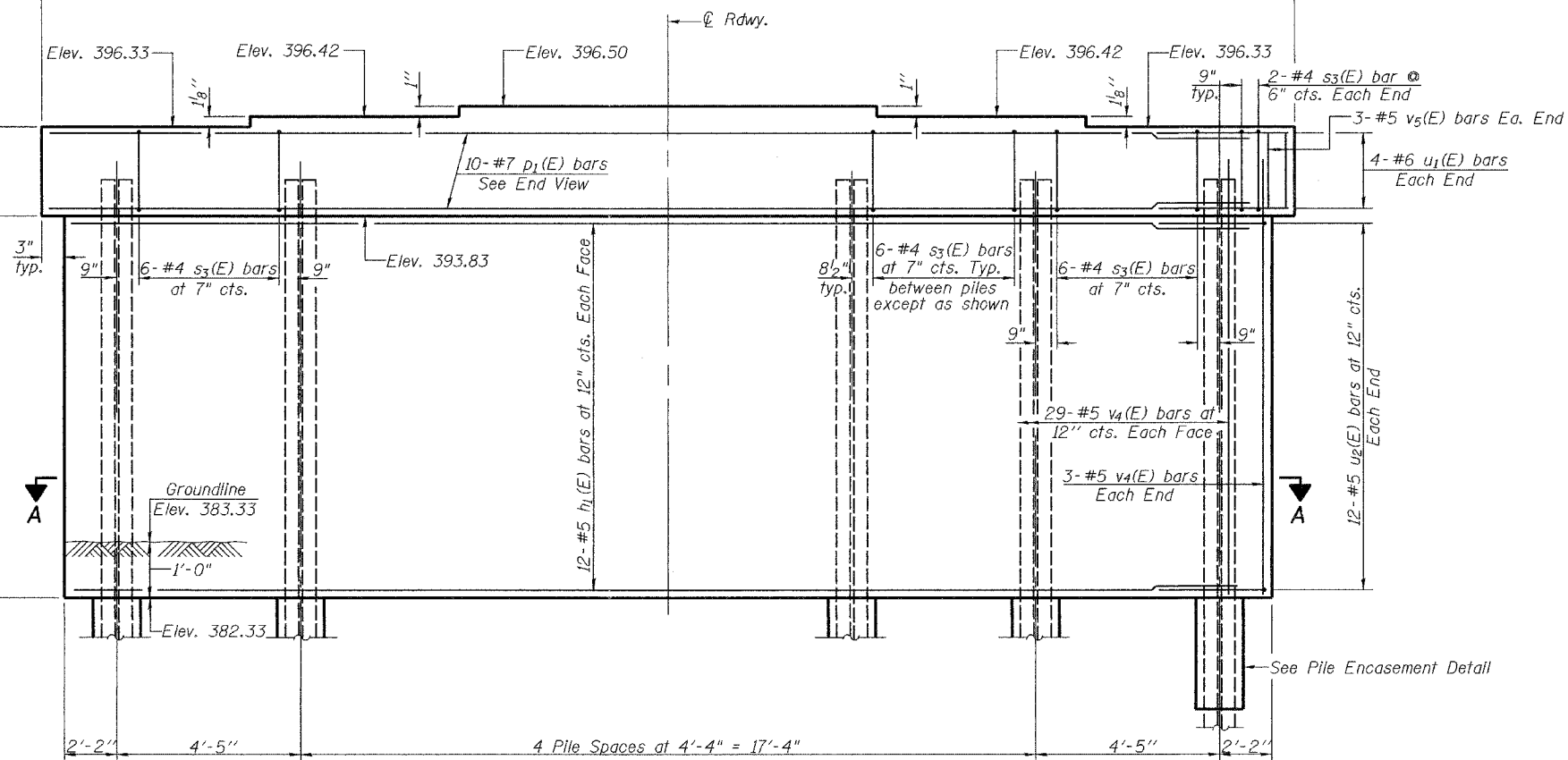
**PILE ENCASMENT DETAILS**



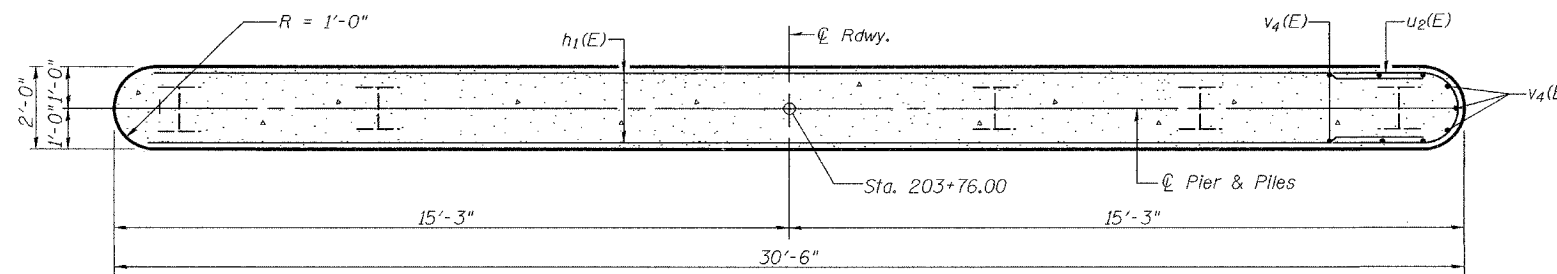
**END VIEW**



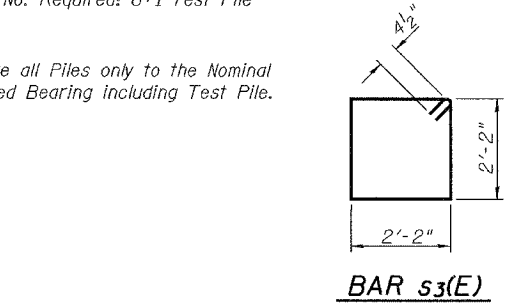
**TOP PLAN**



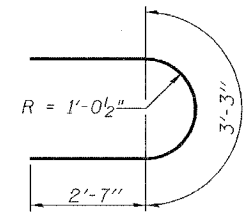
**ELEVATION**  
(Looking East)



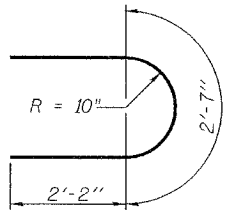
**SECTION A-A**



**BAR s3(E)**



**BAR u1(E)**



**BAR u2(E)**

**BILL OF MATERIAL**

Bar	No.	Size	Length	Shape
h1(E)	24	#5	28'-6"	—
p1(E)	10	#7	28'-6"	—
s3(E)	40	#4	9'-5"	□
u1(E)	8	#6	8'-5"	U
u2(E)	24	#5	6'-11"	U
v4(E)	64	#5	13'-4"	—
v5(E)	6	#5	2'-2"	—
Concrete Structures			Cu. Yd.	32.9
Reinforcement Bars, Epoxy Coated			Pound	2730
Furnishing Steel Piles HP12x53			Foot	408
Structure Excavation			Cu. Yd.	7.4
Test Pile Steel HP 12x53			Each	1
Driving Piles			Foot	408

Notes:  
Pour steps monolithically with cap.  
Reinforcement bars designated (E) shall be epoxy coated.  
For anchor bolt installation details see sheet 12 of 21.  
Place Reinforcement bars in Cap to miss Anchor Bolts.

DESIGNED Dewey Coultas  
CHECKED Chi Cheung Chau  
DRAWN R. Sommer  
CHECKED D.H.C./C.C.C.

September 18 2006  
EXAMINED Thomas J. Domagala  
PASSED Ralph E. Anderson

**PIER 1**  
**S.B.I. RT. 1 SEC. (8C)B-2**  
**WABASH COUNTY**  
**STATION 204+42.25**  
**STRUCTURE No. 093-0022**