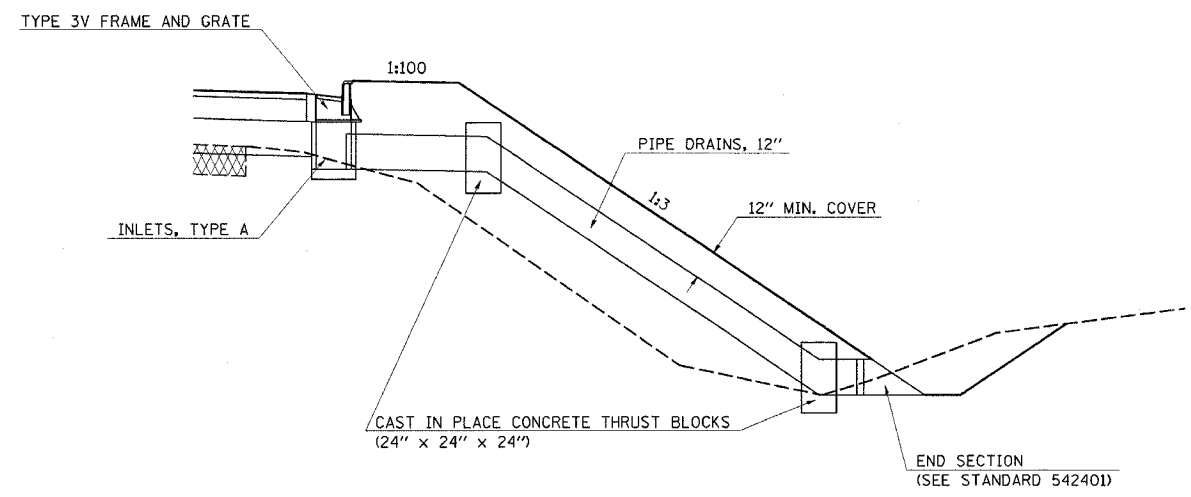


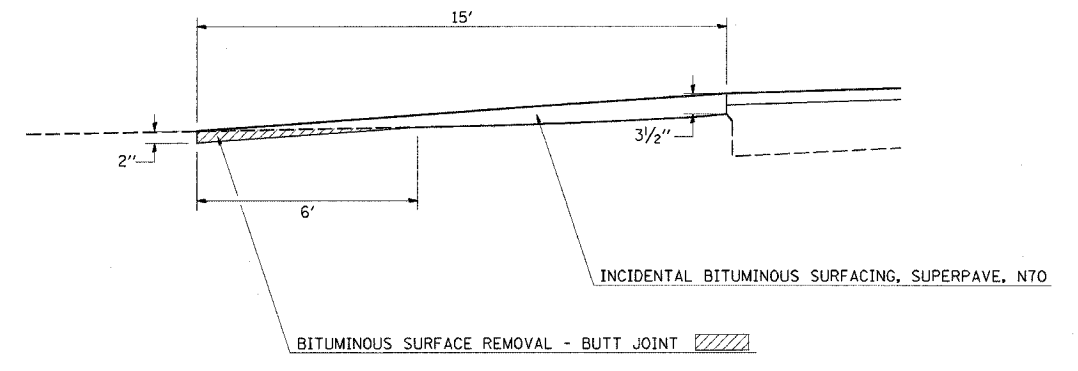
F.A.I. RTE.	SECTION	COUNTY	TOTAL SHEETS	SHEET NO.
*	(25-4 HB-1)B	EFFINGHAM	67	8
STA.		TO STA.		
FED. ROAD DIST. NO.		ILLINOIS FED. AID PROJECT		

* FAI RTE. 57/70

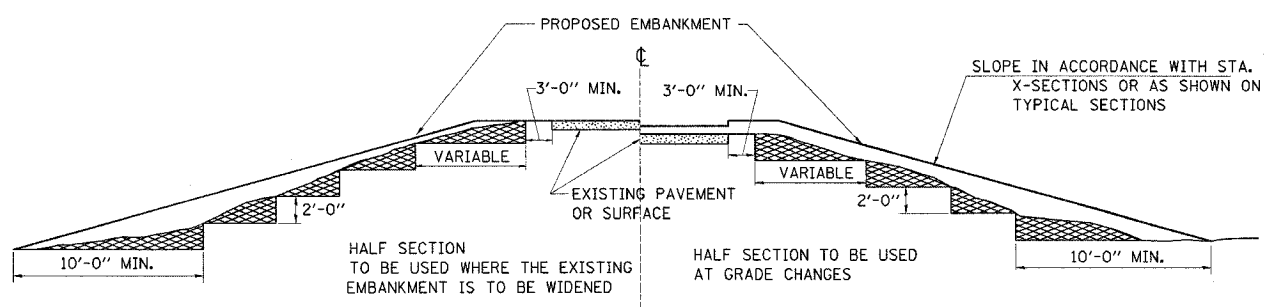
DRAINAGE DETAIL



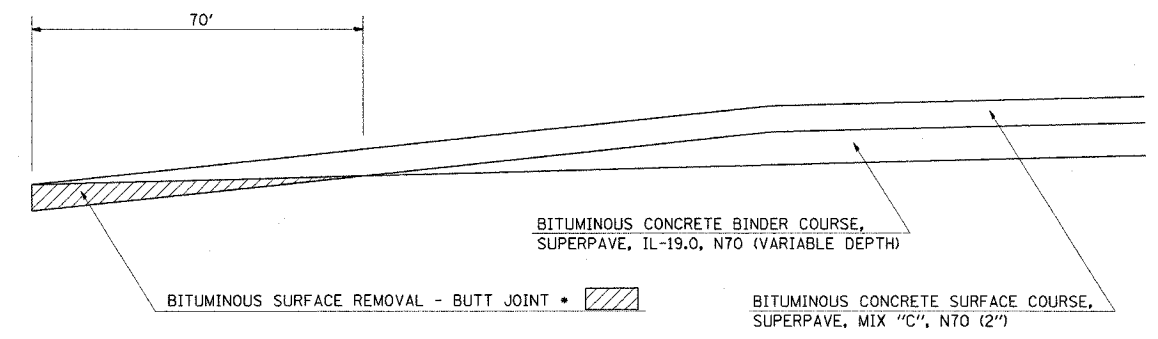
SIDE ROAD DETAIL



MATERIAL TO BE REMOVED AND REPLACED IN THE EMBANKMENT IN ACCORDANCE WITH ART. 205.04 OF THE STANDARD SPECIFICATION. COST TO BE INCLUDED IN THE VARIOUS ITEMS OF EXCAVATION AND NO ADDITIONAL COMPENSATION WILL BE ALLOWED BECAUSE OF THIS WORK.



BENCHING DETAIL



BUTT JOINT DETAIL

STA. 59+95.00 TO STA. 60+65.00

REVISIONS	
NAME	DATE

ILLINOIS DEPARTMENT OF TRANSPORTATION

DETAILS

SCALE: VERT. DATE: HORIZ.

DRAWN BY CHECKED BY

PLT DATE = 6/21/2006
 PLOT NAME = 04785.DWG
 PLOT SCALE = 1"=20'
 USER NAME = dstrut