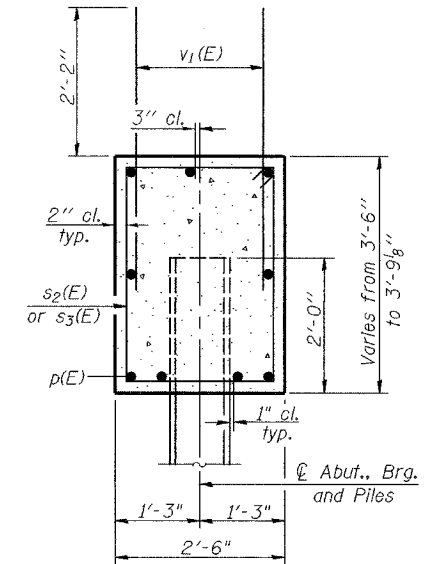
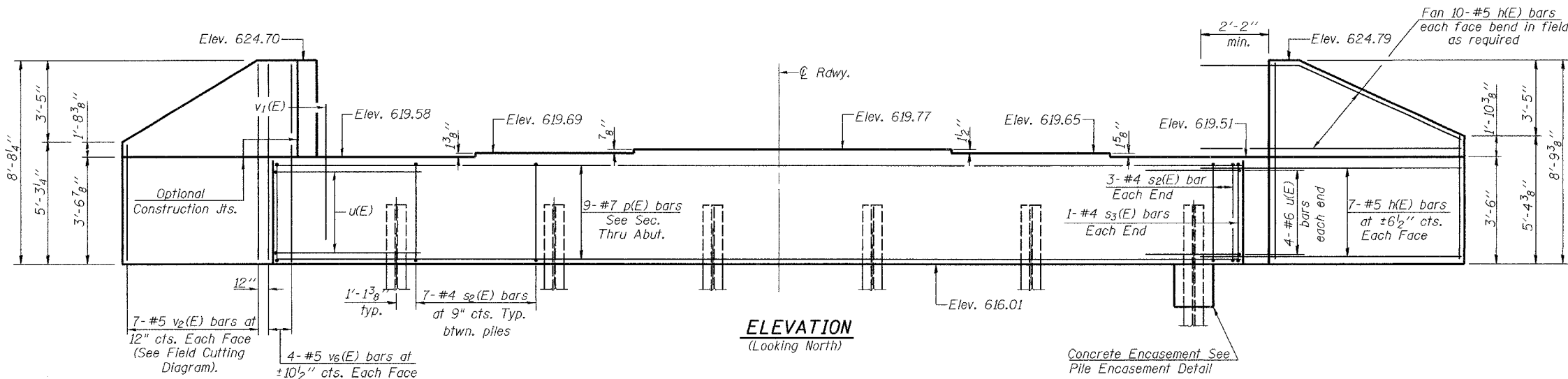


Notes: Four steps monolithically with cap.  
 Reinforcement bars designated (E) shall be epoxy coated.  
 Space reinforcement in cap to miss anchor bolts.  
 For anchor bolt installation details see sheet 12 of 18.

STATE OF ILLINOIS  
 DEPARTMENT OF TRANSPORTATION

ROUTE NO.	SECTION	COUNTY	SHEET	SHEET	SHEET NO. 13
F.A.I. 70	25-4HB-1/B	EFFINGHAM	67	39	18 SHEETS
FED. ROAD DIST. NO. 7	ILLINOIS	FED. AID PROJECT			

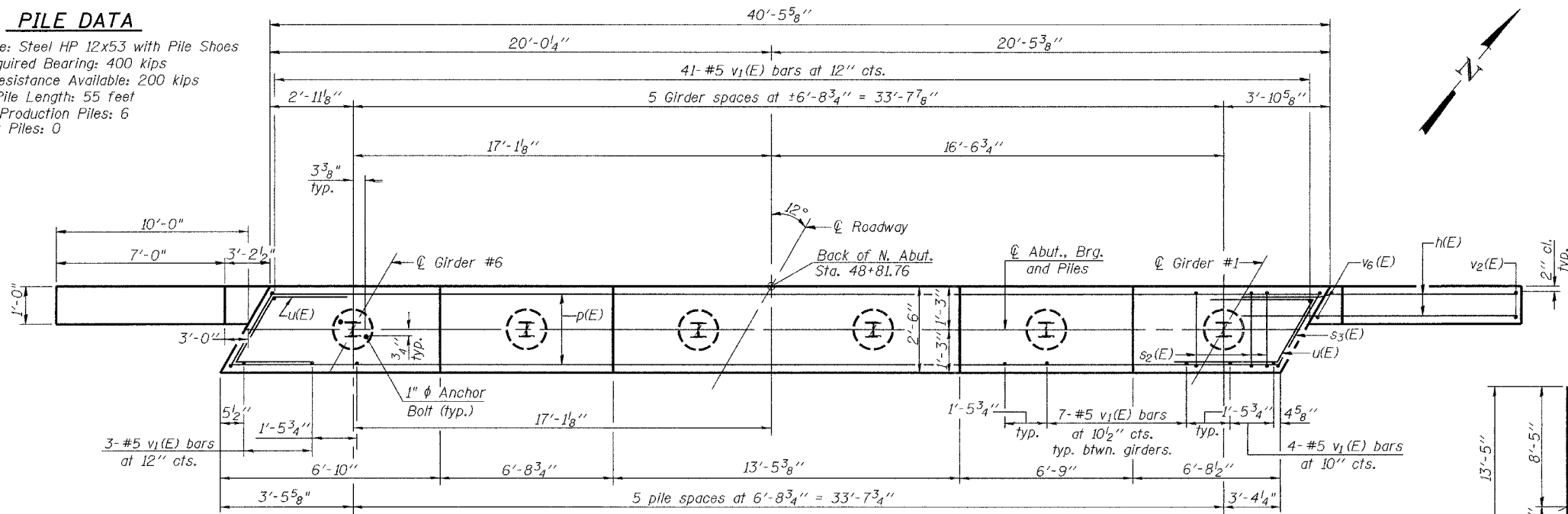
Contract #94785



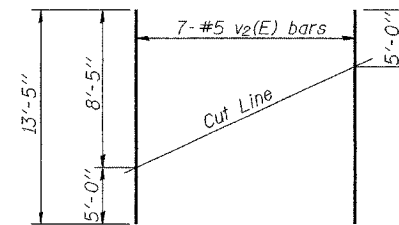
SEC. THRU ABUT.

PILE DATA

Type & Size: Steel HP 12x53 with Pile Shoes  
 Nominal Required Bearing: 400 kips  
 Factored Resistance Available: 200 kips  
 Estimated Pile Length: 55 feet  
 Number of Production Piles: 6  
 No. of Test Piles: 0

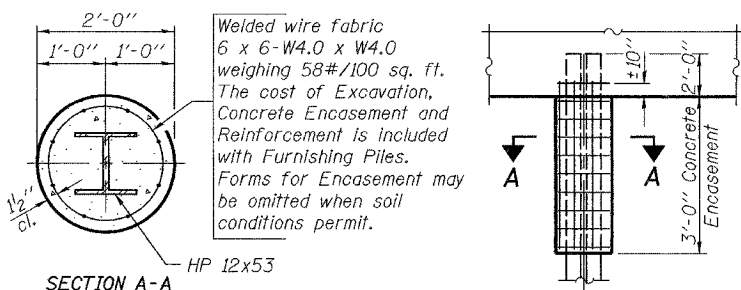


PLAN

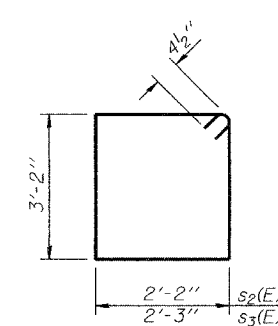


FIELD CUTTING DIAGRAM

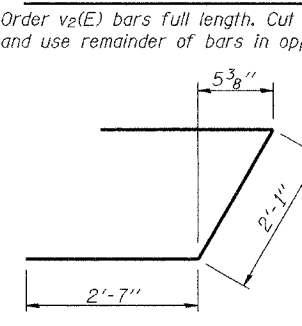
Order v2(E) bars full length. Cut as shown and use remainder of bars in opposite face.



PILE ENCASEMENT DETAIL



BARS s2(E) & s3(E)



BAR u(E)

BILL OF MATERIAL

Bar	No.	Size	Length	Shape
h(E)	68	#5	13'-2"	—
p(E)	9	#7	40'-2"	—
s2(E)	41	#4	11'-5"	□
s3(E)	2	#4	11'-7"	□
u(E)	8	#6	7'-3"	└
v1(E)	84	#5	4'-3"	—
v2(E)	14	#5	13'-5"	—
v6(E)	16	#5	8'-5"	—
Concrete Structures	Cu. Yd.	19.0		
Reinforcement Bars	Pound	2800		
Epoxy Coated				
Structure Excavation	Cu. Yd.	75.8		
Furnishing Steel	Foot	330		
Piles HP12x53				
Driving Piles	Foot	330		
Pile Shoes	Each	6		

DESIGNED	Dhruv Narielwala
CHECKED	Steve Ryan
DRAWN	R. Sommer
CHECKED	DPN/SMR

September 28, 2006  
 EXAMINED *Thomas J. Demagalki*  
 PASSED *Ralph E. Anderson*  
 ENGINEER OF BRIDGES AND STRUCTURES

NORTH ABUTMENT  
 F.A.I. RT. 70 SEC. (25-4HB-1/B)  
 EFFINGHAM COUNTY  
 STATION 49+98.84  
 STRUCTURE NO. 025-0102