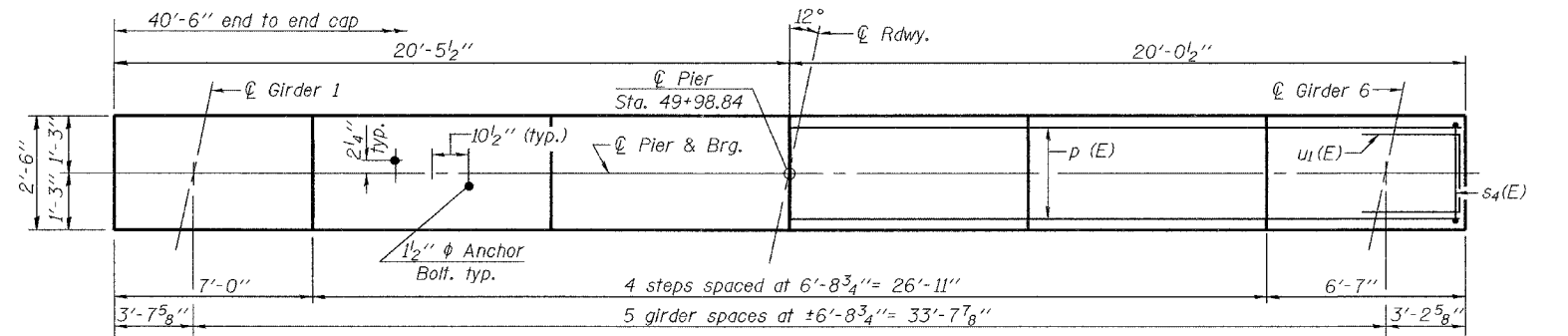


Notes: Space reinforcement in cap to miss anchor bolts.
 Pour steps monolithically with cap.
 Bars indicated thus 14 x 2- #5 etc. indicates 14 lines of bars with 2 lengths per line.
 For anchor bolt installation details, see sheet 12 of 18.

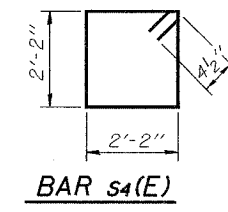
STATE OF ILLINOIS
 DEPARTMENT OF TRANSPORTATION

ROUTE NO.	SECTION	COUNTY	TOTAL SHEETS	SHEET NO.	SHEET NO. 15 18 SHEETS
F.A.I. 70	(25-4HB-1)B	EFFINGHAM	67	41	
FED. ROAD DIST. NO. 7		ILLINOIS	FED. AID PROJECT		

Contract #94785

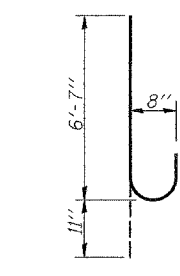


TOP PLAN

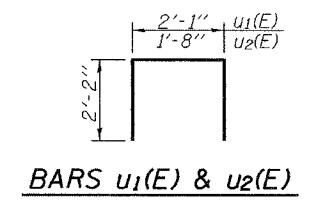


MIN. BAR LAP
 #5 bar = 2'-5"

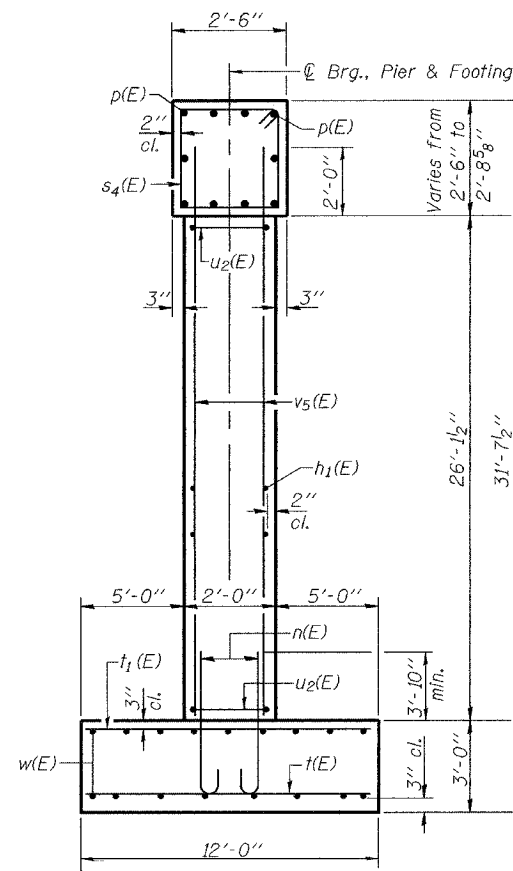
BAR s4(E)



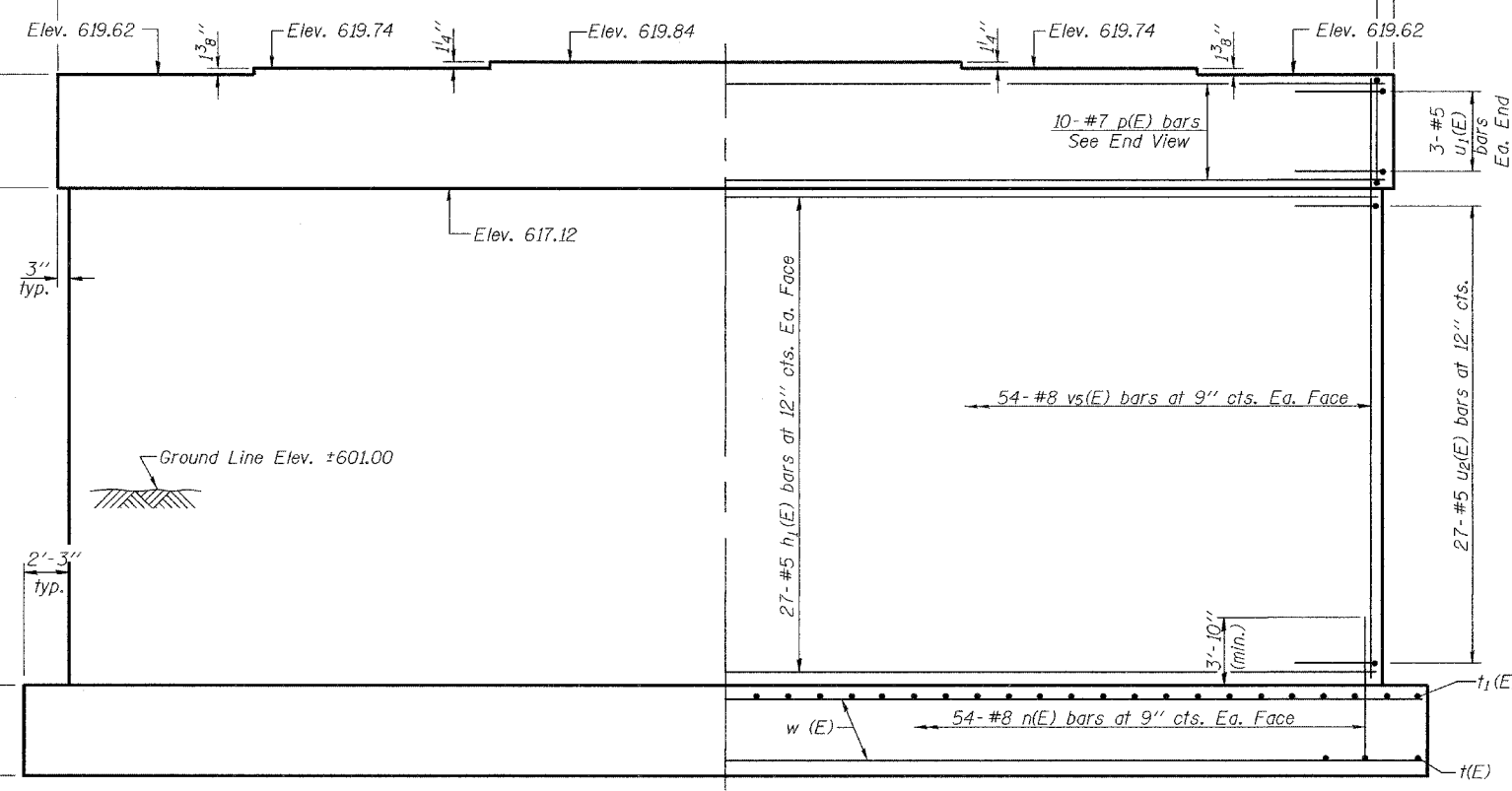
BAR n(E)



BARS u1(E) & u2(E)

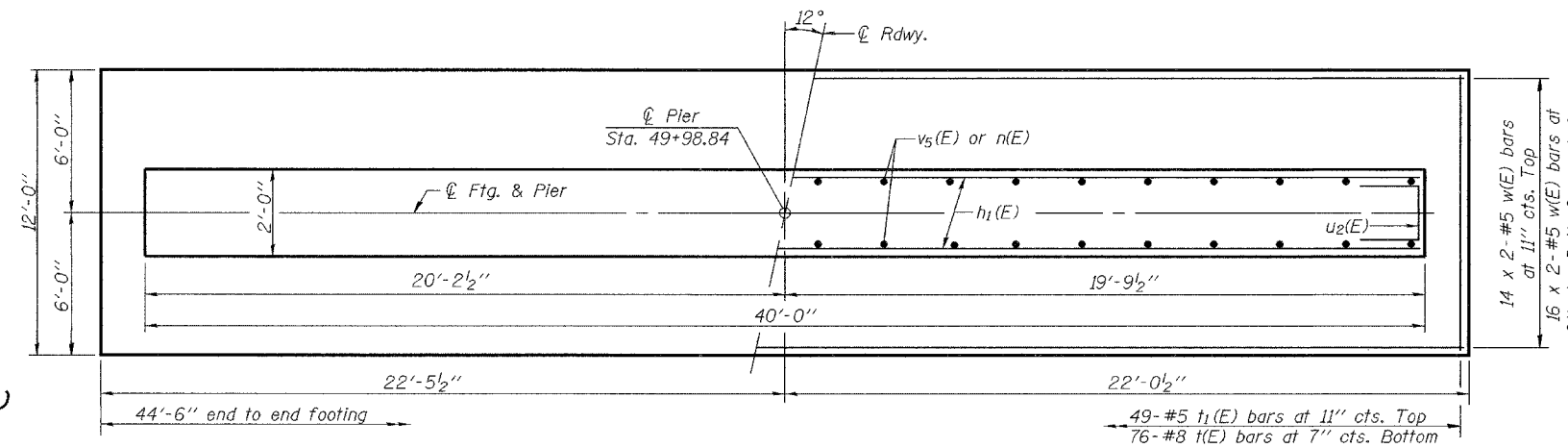


END VIEW



ELEVATION
 (Looking South)

Factored Bearing Resistance = 10 ksf



FOOTING PLAN

BILL OF MATERIAL

Bar	No.	Size	Length	Shape
h1(E)	54	#5	39'-8"	—
n(E)	108	#8	7'-6"	U
p(E)	10	#7	40'-2"	—
s4(E)	41	#4	9'-5"	□
t(E)	76	#8	11'-6"	—
t1(E)	49	#5	11'-6"	—
v5(E)	108	#8	28'-0"	—
u1(E)	6	#5	6'-5"	Π
u2(E)	54	#5	6'-0"	Π
w(E)	60	#5	23'-3"	—
Concrete Structures		Cu. Yd.	146.3	
Reinforcement Bars, Epoxy Coated		Pound	18300	
Braced Excavation		Cu. Yd.	373.6	

Reinforcement bars designated (E) shall be epoxy coated.

DESIGNED	Dhruv Narlelwala
CHECKED	Steve Ryan
DRAWN	R. Sommer
CHECKED	DPN/SMR

EXAMINED	September 28, 2006	Thomas J. Domagalaki
PASSED		Ralph E. Anderson

PIER
 F.A.I. RT. 70 SEC. (25-4HB-1)B
 EFFINGHAM COUNTY
 STATION 49+98.84
 STRUCTURE NO. 025-0102