

ROUTE NO.	SECTION	CITY	TOTAL SHEETS	SHEET NO.
FAU 9835	02-00037-00-PV	GREENVILLE	25	14
FED. ROAD DIST. NO.	ILLINOIS		PROJECT M-5078 (6)	

CONTRACT No 972 82

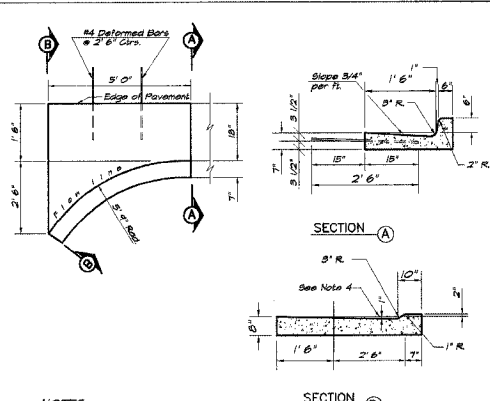
REVISIONS	NO.	BY	DATE
DESIGNED			
SCALE	as noted		
DRAWN	Map		
DATE	Lee Jenkins		Sept. 2004
FIELD BOOK			
JOB NO.			C-4-025A
XXX			

BAINBRIDGE & ASSOCIATES, INC.
 Consulting Engineers
 1670 SOUTH TAYLORVILLE ROAD
 DECATUR ILLINOIS
 Illinois License 184-001215

CITY OF GREENVILLE, ILLINOIS
 STREET IMPROVEMENTS
 MISCELLANEOUS DETAILS

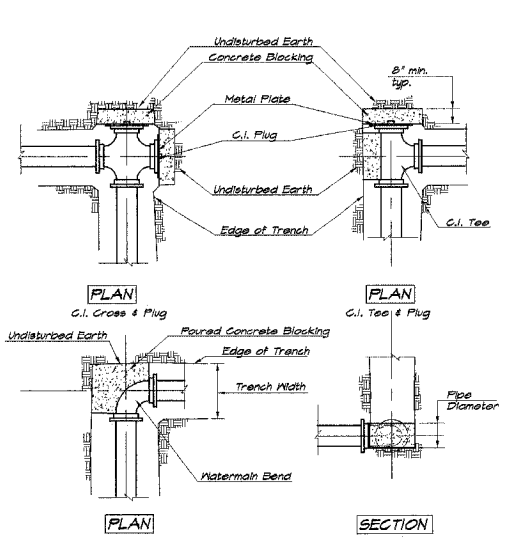
SEAL

SHEET NO.
14
 OF
 25

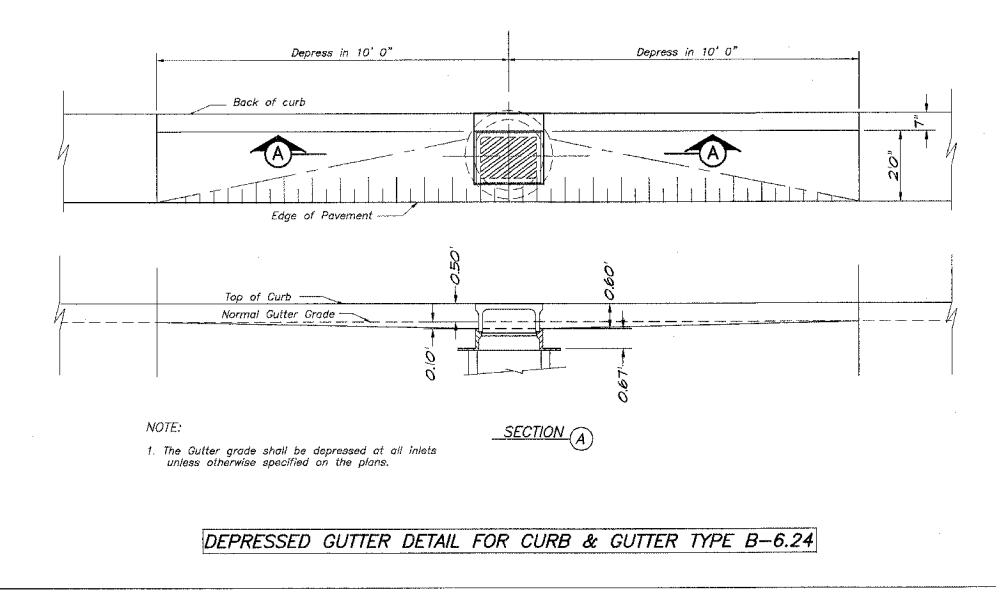


- NOTES:**
- Class 'SI' Concrete shall be used throughout.
 - at locations where the gutter inlet is adjacent to proposed P.C.C. pavements the inlet shall be tied to the pavement with 1/2" dia steel bars spaced at 2'-6" cts, using either a keyed Longitudinal Construction Joint or the Bulk Head Longitudinal Joint with threaded hooked tie bars as shown on I.D.O.T. Std. 420001.
 - This work shall be paid for at the contract unit price each for "Special Inlet for Combination Concrete Curb and Gutter" which price shall include the cost of the Longitudinal Construction Joint and Tie Bars, if required.
 - When inlet is used as an Outlet, drop a total of 6" from the edge of pavement at this point, unless otherwise shown.
 - A Special Inlet requires 0.40 cu. yds. of Concrete (for information only).

DETAIL - GUTTER OUTLET

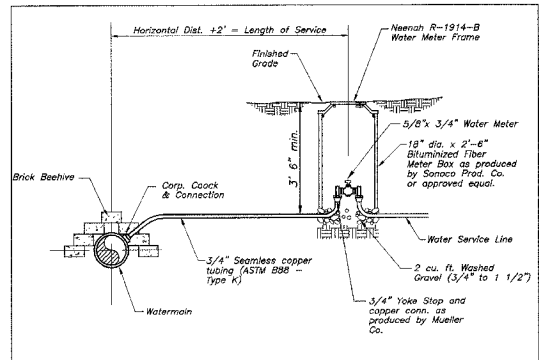


STANDARD DESIGN CONCRETE BLOCKING WATERMAIN - 6" TO 10"



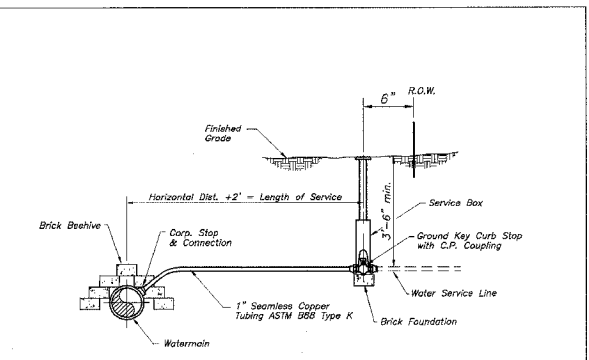
- NOTE:**
- The Gutter grade shall be depressed at all inlets unless otherwise specified on the plans.

DEPRESSED GUTTER DETAIL FOR CURB & GUTTER TYPE B-6.24



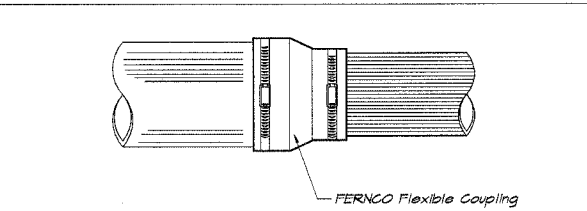
- NOTES:**
- Corporation Stop will be Mueller H-15000 or approved equal.
 - Curb Stops shall be Mueller H-15151 or approved equal.
 - Curb Box shall be Orisetal H-10387 or approved equal.
 - Service Saddles shall be Mueller H-16000 or approved equal for AWWA C-900 Pipe.
 - Backfill to be hand tamped around corp. cock.
 - All connections to be flare or compression copper or compression with insert.

STANDARD DESIGN DOMESTIC METER VAULT

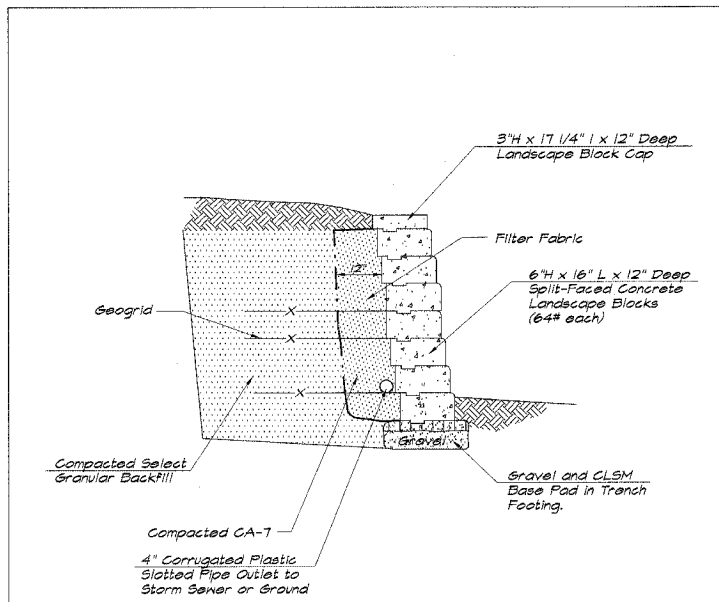


- NOTES:**
- Corporation Stop will be Mueller H-15000 or approved equal.
 - Curb Stops shall be Mueller H-15151 or approved equal.
 - Curb Box shall be Orisetal H-10387 or approved equal.
 - Service Saddles shall be Mueller H-16000 or approved equal for AWWA C-900 Pipe.
 - Backfill to be hand tamped around corp. cock.
 - All connections to be flare or compression copper or compression with insert.

STANDARD DESIGN DOMESTIC WATER SERVICE BOX



STANDARD DESIGN FOR CONNECTING PIPES OF DIS-SIMILAR MATERIALS AND SIZES



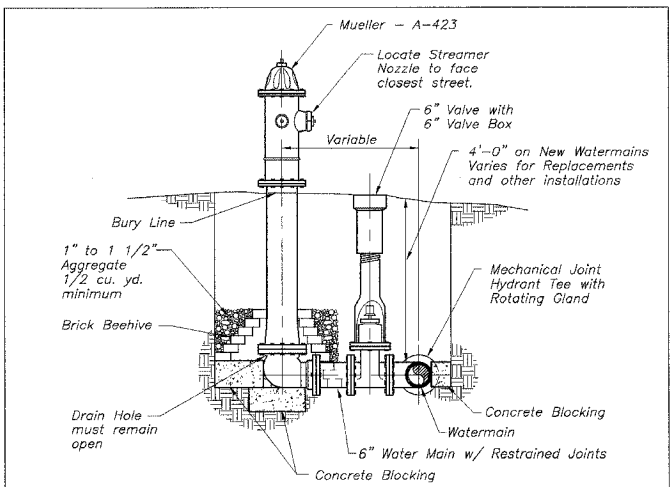
- NOTE:** Set Bottom Block in Controlled Low Strength Material (CLSM) When it can support Block but before Final Set.

WALL REINFORCEMENT TABLE

Total Wall Height H	Exposed Wall Height EXH	Depth of Course DBS	Total # of Courses NC	Type of Geogrid	Length of Geogrid LG	GEOGRID PLACEMENT Distance up from Foundation or Leveling Pad					Total Geogrid Layers NL
4'-0"	4'	0'-0"	7	B	6'-0"	1'-4"	3'-4"	4'-0"	4'-0"	4'-0"	2
6'-0"	6'	0'-0"	10	B	7'-0"	0'-0"	2'-0"	3'-4"	4'-0"	4'-0"	4
8'-4"	8'	1'-4"	14	B	9'-0"	0'-0"	2'-0"	3'-4"	3'-4"	4'-0"	5

Note: The Wall Reinforcement Table is a minimum. Additional Wall Reinforcement may be required based on Segmental Concrete Block Wall type. Contractor to supply submittal detailing design in accordance with specifications.

DETAIL OF SEGMENTAL CONCRETE BLOCK WALL



TYPICAL FIRE HYDRANT AND GATE VALVE SETTING