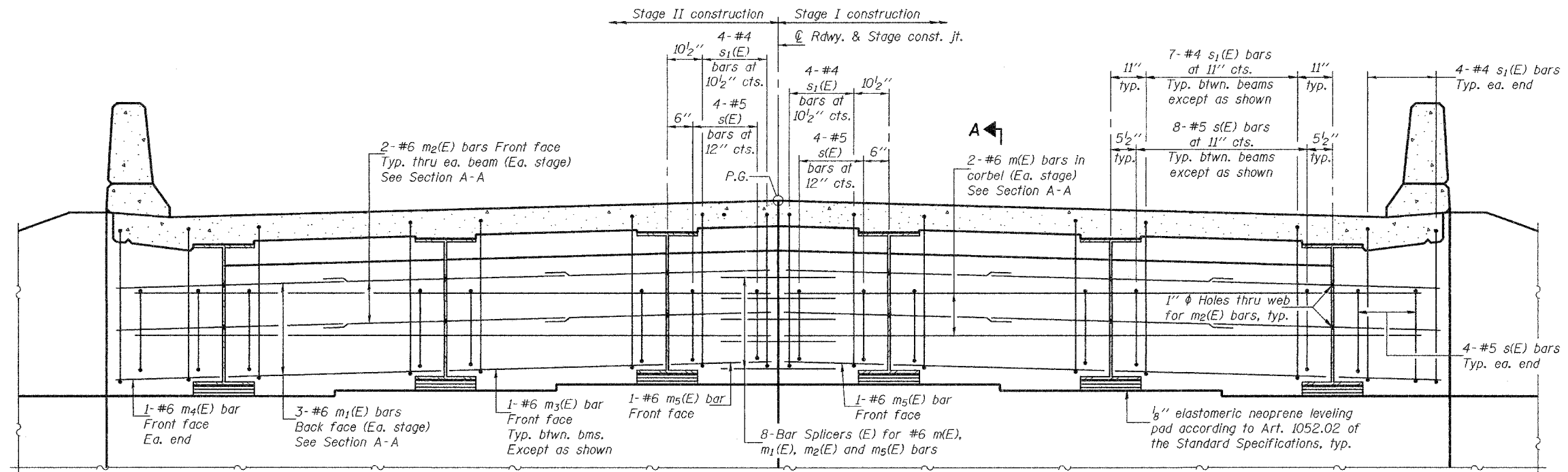


STATE OF ILLINOIS  
DEPARTMENT OF TRANSPORTATION

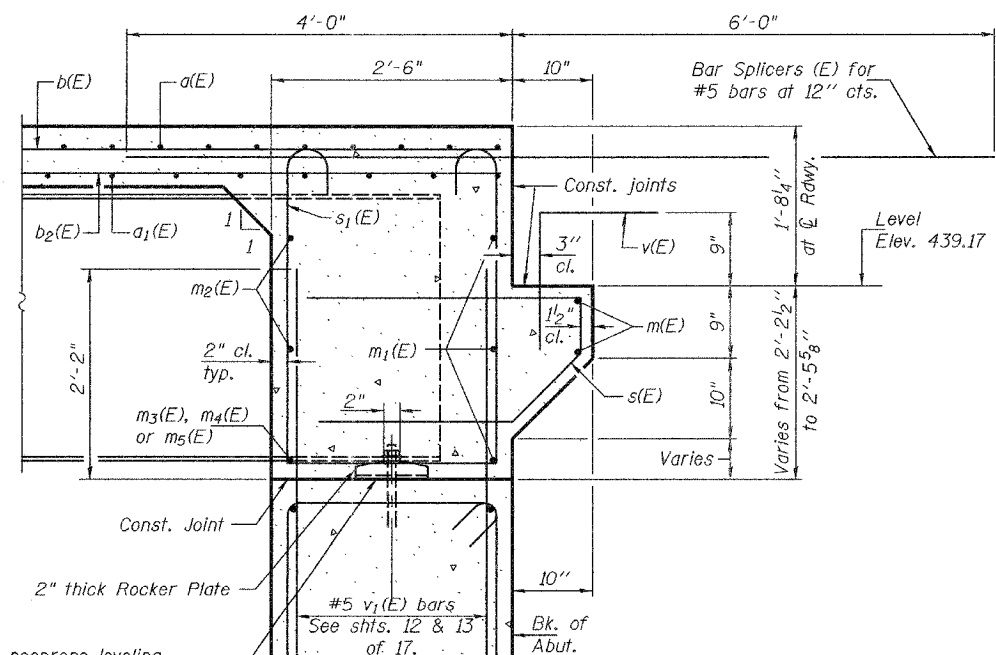
ROUTE NO.	SECTION	COUNTY	TOTAL SHEETS	SHEET NO.	SHEET NO. 8
FAP 821	13B-1	JEFFERSON	39	21	17 SHEETS
FED. ROAD DIST. NO. 7	ILLINOIS	FED. AID PROJECT-			

Contract #98957



**DIAPHRAGM ELEVATION AT ABUTMENT**  
(Looking east)

Notes: Reinforcement bars in diaphragm are billed with superstructure on sheet 7 of 17.  
Concrete in diaphragm is included with Concrete Superstructure on sheet 7 of 17.  
For details of bars s(E) & s<sub>1</sub>(E) see sheet 7 of 17.  
See sheet 9 of 17 for holes thru web for m<sub>2</sub>(E) bars.  
For anchor bolt details see sheet 11 of 17.  
For bar splicer (E) details see sheet 15 of 17.



**SECTION A-A**

**MIN. BAR LAP**  
#6 bar = 2'-9"

DESIGNED	R.L. Tharp
CHECKED	P.R. Litchfield
DRAWN	h.t. duong
CHECKED	RLT/PRL

Aug. 31, 2006  
EXAMINED *Thomas J. Damagala*  
PASSED *Ralph E. Anderson*

**DIAPHRAGM DETAILS**  
**F.A.P. RT. 821 - SECTION 13B-1**  
**JEFFERSON COUNTY**  
**STATION 1200+35.00**  
**STRUCTURE NO. 041-0106**