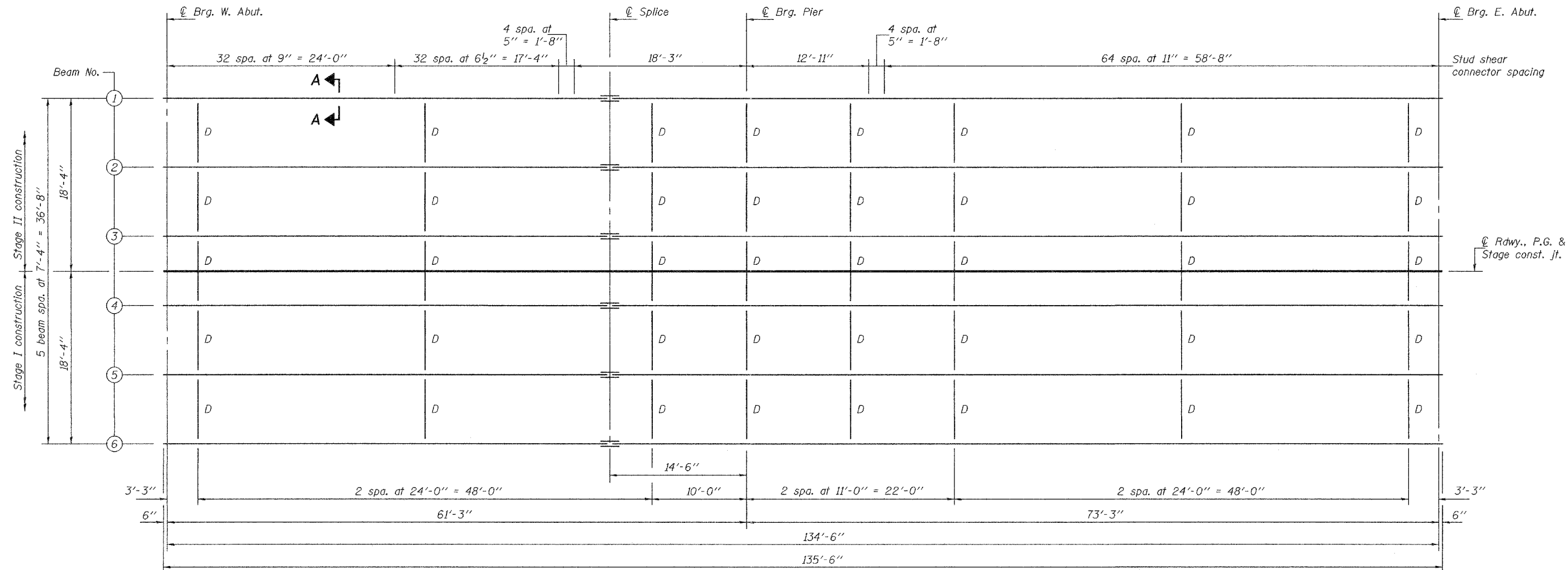


STATE OF ILLINOIS
DEPARTMENT OF TRANSPORTATION

| | | | | | |
|-----------------------|----------|-----------|------------------|-------|--------------------------|
| ROUTE NO. | SECTION | COUNTY | TOTAL SHEETS | SHEET | SHEET NO. 9 17 SHEETS |
| FAP 821 | 13B-1 | JEFFERSON | 39 | 22 | |
| FED. ROAD DIST. NO. 7 | ILLINOIS | | FED. AID PROJECT | | |

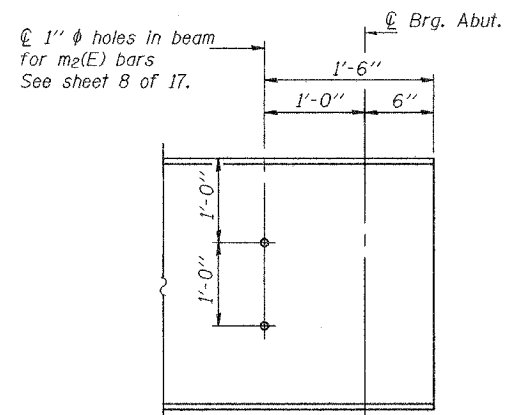
Contract #98957



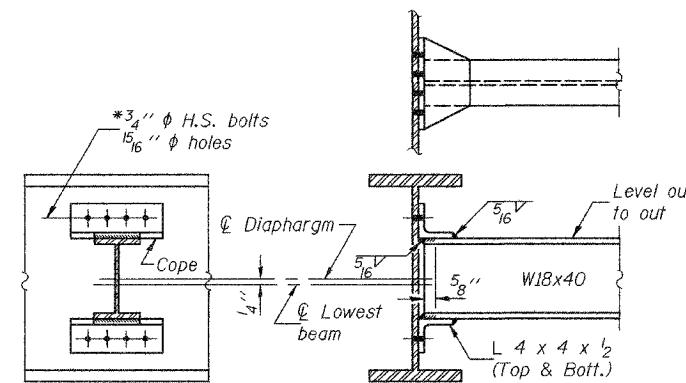
PLAN

All beams are W36x150 and NTR.

Notes: Two hardened washers shall be required for all $\frac{15}{16}$ " holes in diaphragms.
NTR denotes members to which Notch Toughness Requirements are applicable.

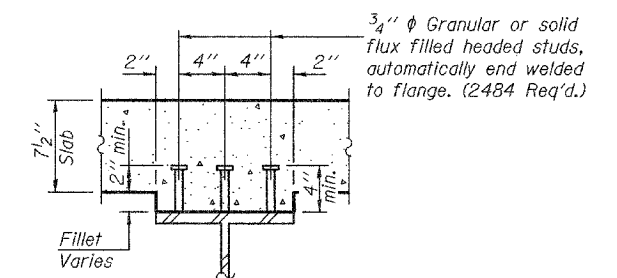


TYP. END OF BEAM ELEVATION



DIAPHRAGM D
(40 Required)

*Use $\frac{15}{16}$ " x $\frac{1}{2}$ " verticle slotted holes in top and bottom angles at south side of Beam 3 only. Provide $\frac{5}{16}$ " plate washers for slotted holes. Bolts for slotted holes shall be finger-tightened prior to the deck pour for Stage II Construction, and then be fully tightened after completion of the deck pour for Stage II Construction.



SECTION A-A

STRUCTURAL STEEL
F.A.P. RT. 821 - SECTION 13B-1
JEFFERSON COUNTY
STATION 1200+35.00
STRUCTURE NO. 041-0106

| | |
|----------|-----------------|
| DESIGNED | R.L. Tharp |
| CHECKED | P.R. Litchfield |
| DRAWN | h.t. duong |
| CHECKED | RLT/PRL |

| | |
|----------|---|
| EXAMINED | Thomas J. Damagala ENGINEER OF BRIDGE DESIGN |
| PASSED | Ralph E. Anderson ENGINEER OF BRIDGES AND STRUCTURES |

Aug. 31, 2006