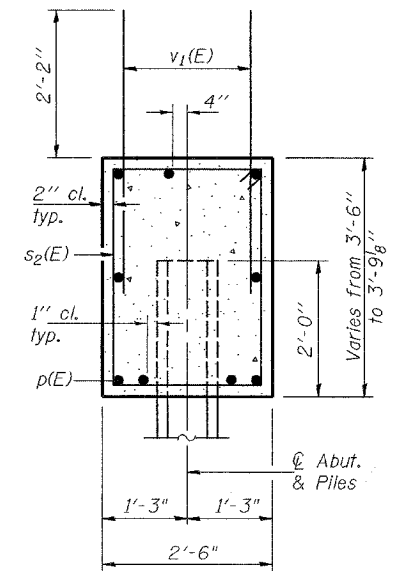
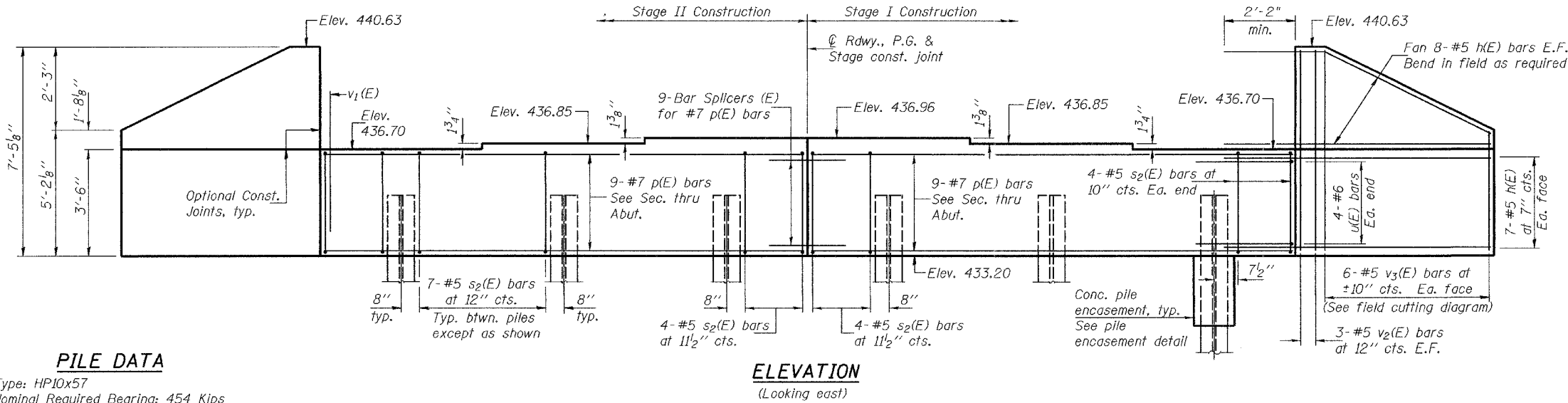


Notes: Four steps monolithically with cap.
 Reinforcement bars designated (E) shall be epoxy coated.
 For anchor bolt installation details see sheet 11 of 17.
 For bar splicer assembly details see sheet 15 of 17.

STATE OF ILLINOIS
 DEPARTMENT OF TRANSPORTATION

ROUTE NO.	SECTION	COUNTY	SHEET NO.	SHEET NO. 13
FAP 821	13B-1	JEFFERSON	39	26
FED. ROAD DIST. NO. 7	ILLINOIS	FED. AID PROJECT-		17 SHEETS

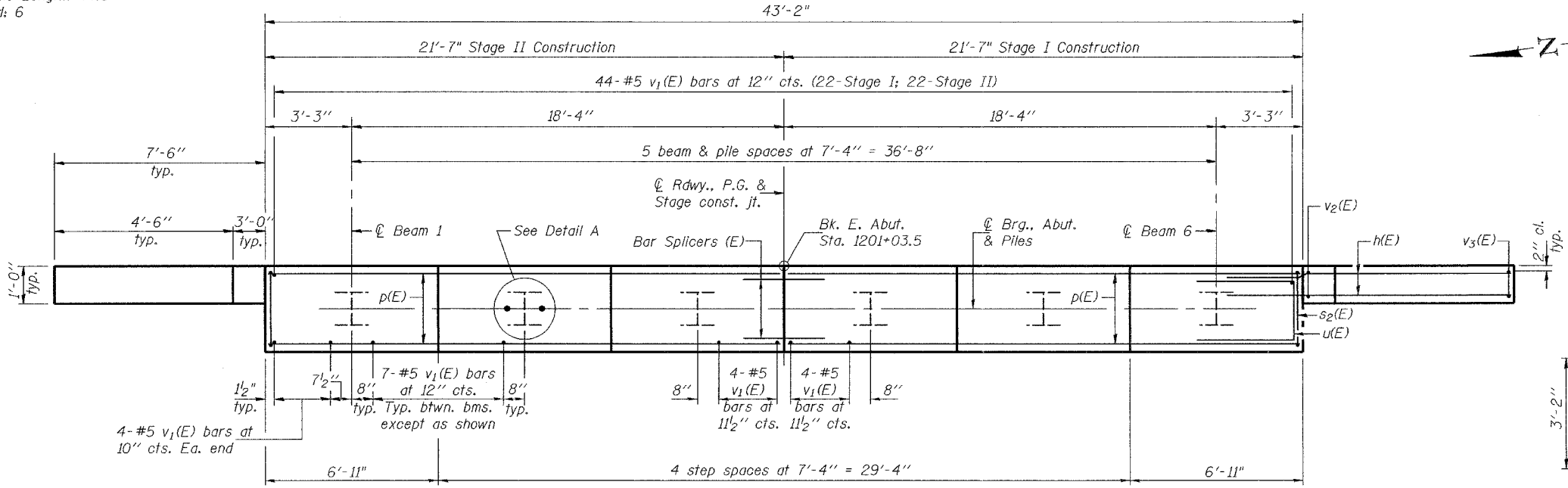
Contract #98957



PILE DATA

Type: HP10x57
 Nominal Required Bearing: 454 Kips
 Factored Resistance Available: 227 Kips
 Estimated Pile Length: 44.5'
 No. Required: 6

ELEVATION
 (Looking east)



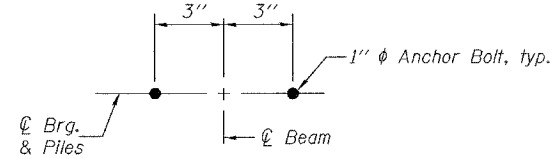
PLAN

BILL OF MATERIAL

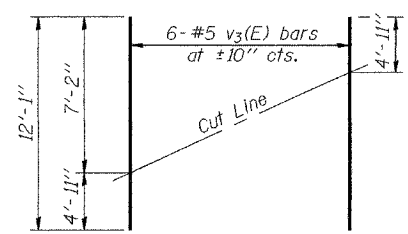
Bar	No.	Size	Length	Shape
h(E)	60	#5	10'-2"	—
p(E)	18	#7	21'-4"	—
s2(E)	44	#5	11'-7"	□
u(E)	8	#6	8'-1"	□
v1(E)	88	#5	4'-4"	—
v2(E)	12	#5	7'-2"	—
v3(E)	12	#5	12'-1"	—
Concrete Structures		Cu. Yd.	18.3	
Reinforcement Bars, Epoxy Coated		Pound	2690	
Structure Excavation		Cu. Yd.	86	
Furnishing Steel Piles HP10x57		Foot	267	
Driving Piles		Foot	267	

BAR s2(E)

BAR u(E)

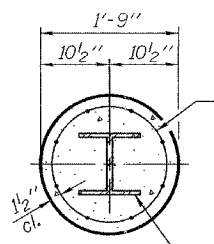


DETAIL A



FIELD CUTTING DIAGRAM

Order v3(E) full length. Cut as shown and use remainder of bars in opposite face.



SECTION A-A

PILE ENCASEMENT DETAIL

Welded wire fabric 6 x 6-W4.0 x W4.0 weighing 58#/100 sq. ft. The cost of Excavation, Concrete Encasement and Reinforcement is included with Furnishing Piles. Forms for Encasement may be omitted when soil conditions permit.

DESIGNED	R.L. Tharp
CHECKED	P.R. Litchfield
DRAWN	h.f. duong
CHECKED	RLT/PRL

Aug. 31, 2006
 EXAMINED *Thomas J. Damagalki*
 ENGINEER OF BRIDGE DESIGN
 PASSED *Ralph E. Anderson*
 ENGINEER OF BRIDGES AND STRUCTURES

EAST ABUTMENT
F.A.P. RT. 821 - SECTION 13B-1
JEFFERSON COUNTY
STATION 1200+35.00
STRUCTURE NO. 041-0106