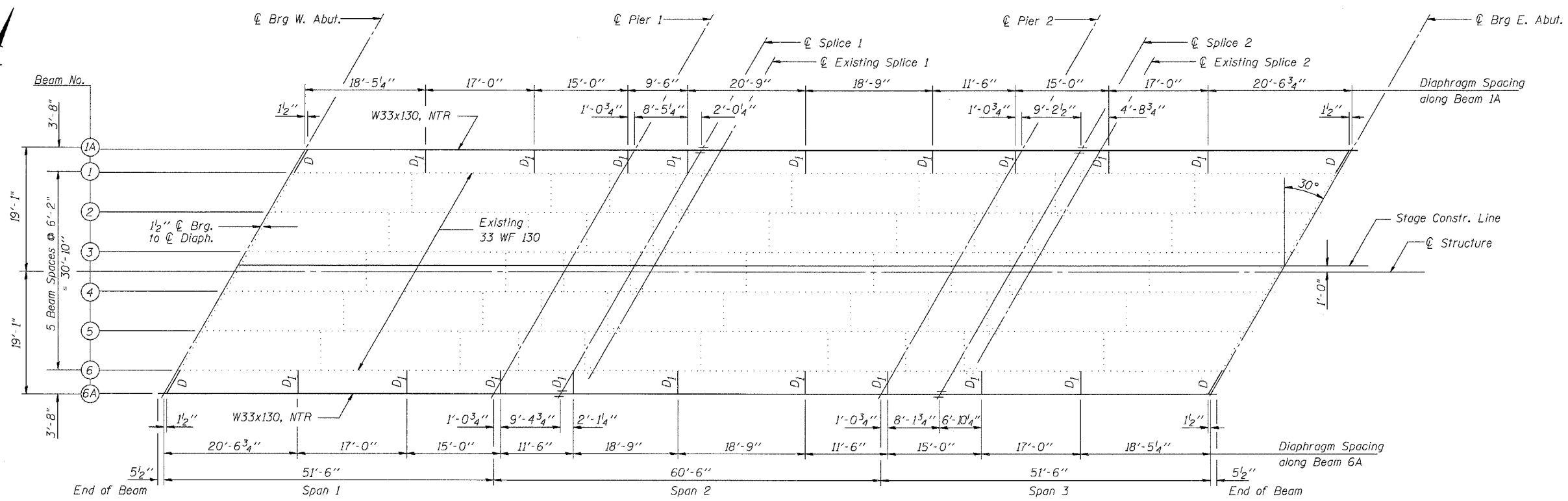
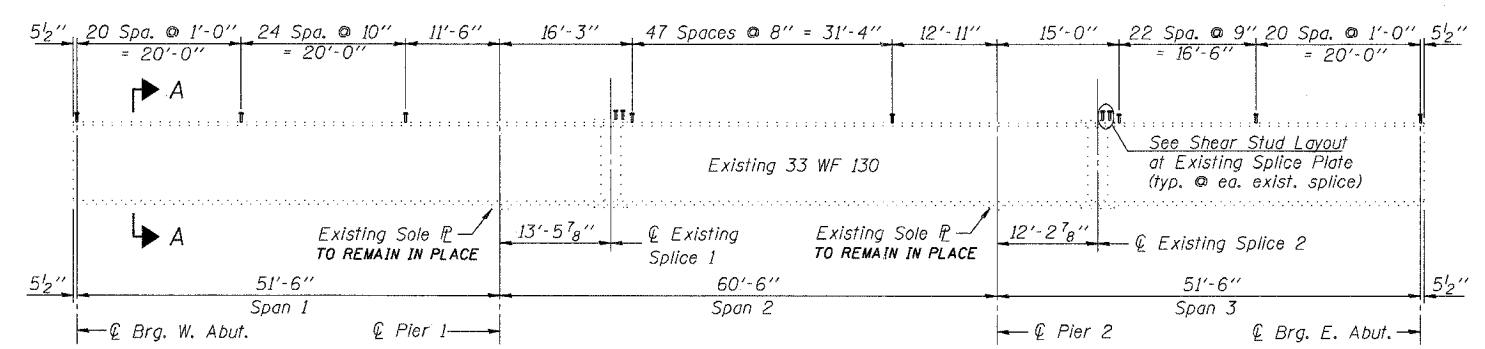


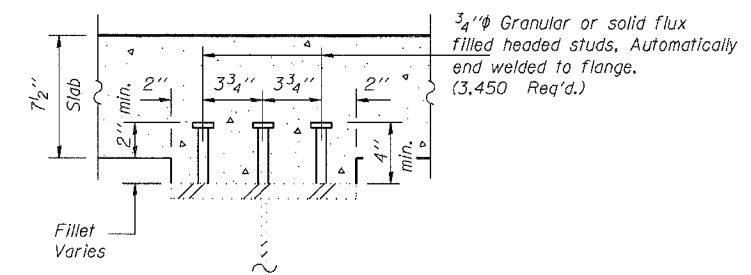
ROUTE NO.	SECTION	COUNTY	TOTAL SHEETS	SHEET NO.
F.A.P. 821	(15-2)BR	JEFFERSON	33	21
FED. ROAD DIST. NO. 7	ILLINOIS	PROJECT		
Sheet 9 of 19			CONTRACT #98958	



FRAMING PLAN

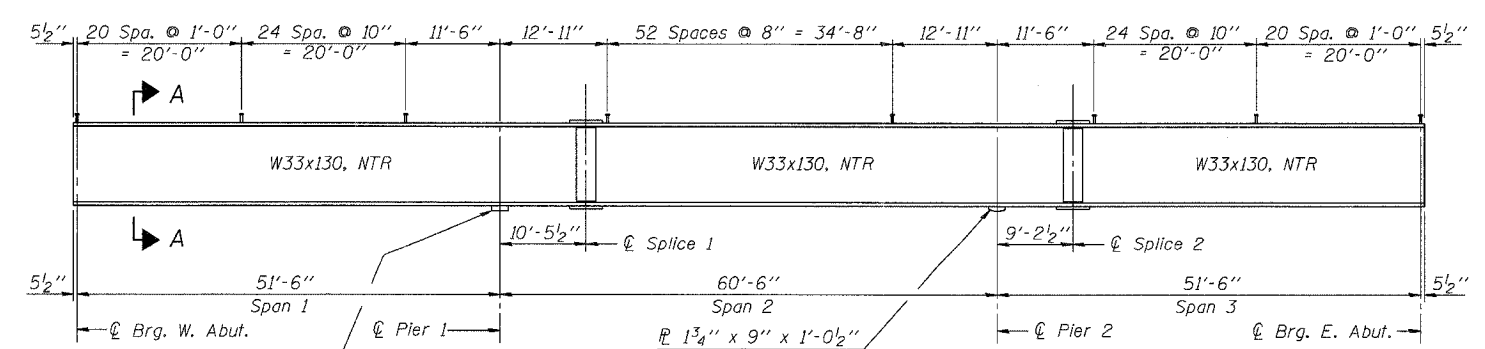


BEAM ELEVATION
Existing Beams 1 thru 6



SECTION A-A

(Except at existing splices)
Applies to both Existing & Proposed Beams.
Existing Beams Shown.



BEAM ELEVATION
New Beams 1A & 6A

Notes:
"NTR" denotes members to which Notch Toughness Requirements, Zone 2 are applicable.
Work this sheet with sheet 10 of 19.

DESIGNED	Ruben V. Boehler
CHECKED	Tim S. Howard
DRAWN	TSH / RVB
CHECKED	Michael D. Cummins

STRUCTURAL STEEL

IL ROUTE 15 OVER SEVEN MILE CREEK
F.A.P. ROUTE 821 SECTION (15-2)BR
JEFFERSON COUNTY
STA. 129+81.00
S.N. 041-0027

CUMMINS ENGINEERING CORPORATION

JOB #:	2175
FILE:	2175ss
DATE:	5/26/06