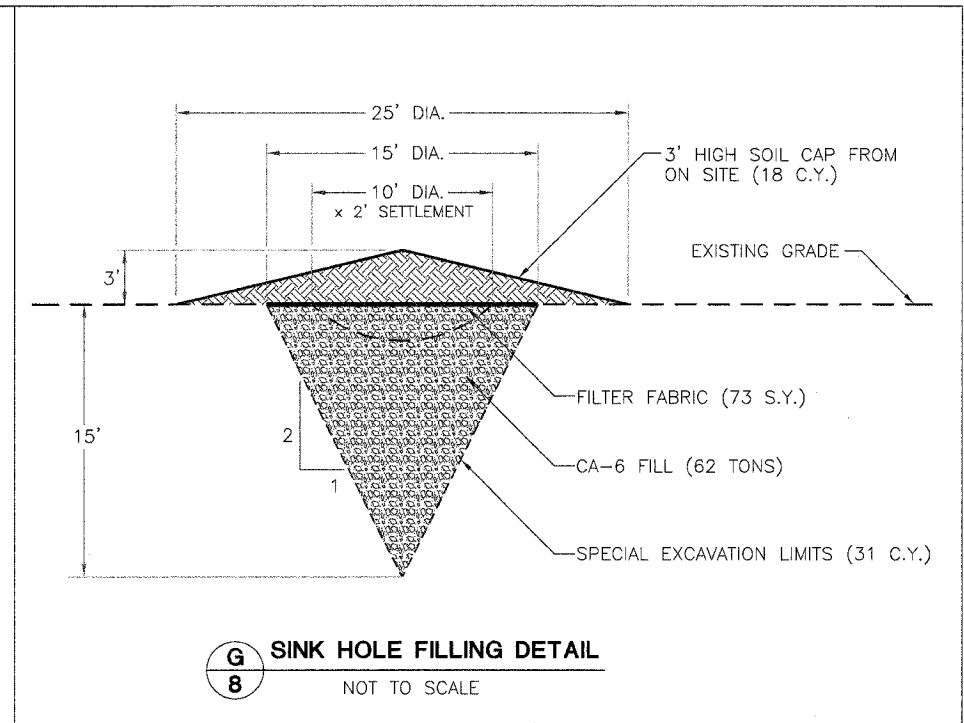


SEE SHEET 8



G SINK HOLE FILLING DETAIL
8 NOT TO SCALE

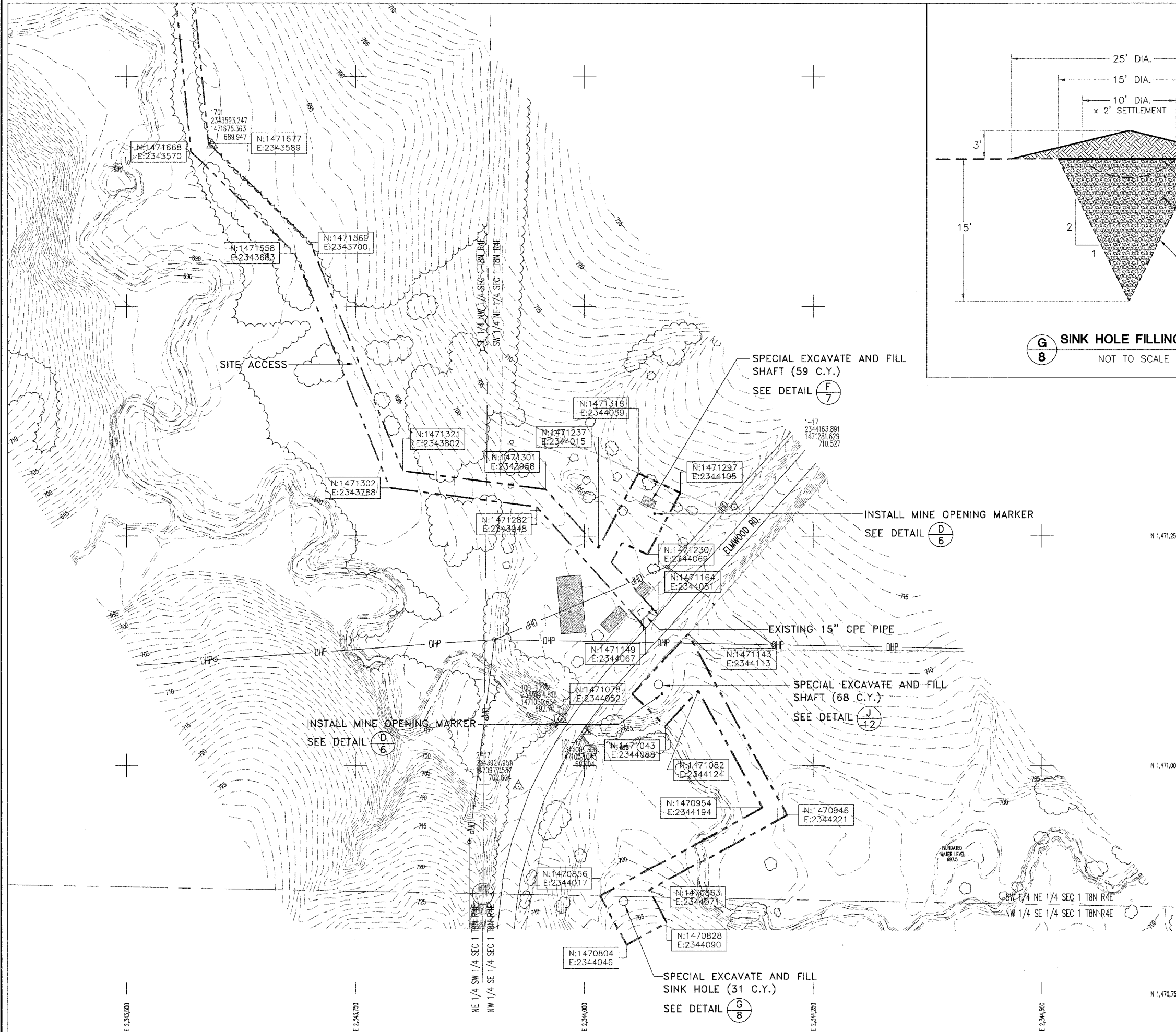
NOTE:
DUE TO THE UNKNOWN CONDITIONS THAT EXIST IN AND AROUND THE SHAFTS AND SINK HOLE, THE CONTRACTOR SHALL USE EXTREME CAUTION WHEN PERFORMING WORK NEAR THEM. THE ENGINEER RESERVES THE RIGHT TO INCREASE OR DECREASE THE QUANTITY FOR SPECIAL EXCAVATION AND BACKFILLING MATERIALS AS DETERMINED BY THE EXACT CONDITIONS ENCOUNTERED DURING SPECIAL EXCAVATION.

	EXISTING CONTOUR
	CONSTRUCTION/SEEDING LIMITS
	EDGE OF ROAD
	OVERHEAD POWER
	TREELINE
	EDGE OF WATER
	SURVEY CONTROL POINT

Legend

Westerby Brothers No. 2

SCALE IN FEET



State of Illinois
Department of Natural Resources

Silver Creek Collieries 'Group'
Reclamation Project
AML-GFuE-0503
Fulton/Knox County

Drawn By: M-LF
Checked By:
Date: 10/7/2005

Existing & Proposed
Conditions
Sheet
8 of 12