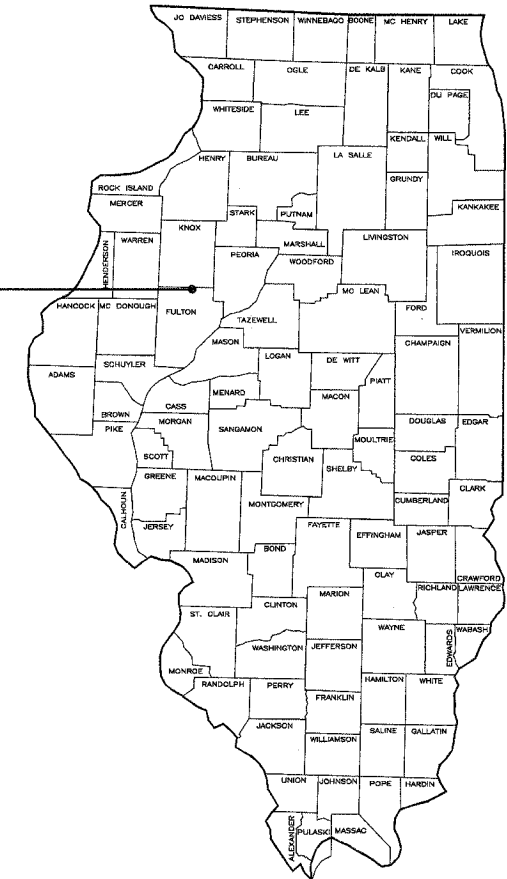


State of Illinois
Department of Natural Resources
Office of Mines and Minerals
Division of Abandoned Mined Lands

Funded by the
 United States Department of Interior
 Federal Office of Surface Mining

Silver Creek Collieries Group
Reclamation Project
AML-GFuE-0503
Knox & Fulton Counties
2LR

Silver Creek Collieries
 Knox & Fulton Counties



Pre-Bid Meeting Notice:

A Pre-bid meeting is scheduled for this project at 9:00 A.M. Thursday, November 10, 2005. All Interested potential bidders are to meet at the "IGA Store" parking lot at the intersection of Routes 116 and 78 in Farmington, IL.

SCHEDULE OF DRAWINGS:

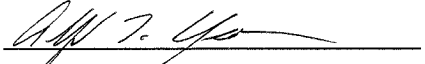
1. Cover Sheet
2. Summary of Quantities/General Notes/Location Map
3. Existing and Proposed Conditions - Binzel Coal Company
4. Existing & Proposed Conditions - Rawalt Coal Mine
5. Existing & Proposed Conditions - Taggart Mine Opening
6. Existing & Proposed Conditions - Taggart Mine Opening
7. Existing & Proposed Conditions - Westerby Brothers No. 2
8. Existing & Proposed Conditions - Westerby Brothers No. 2
9. Existing and Proposed Conditions - Silver Creek Collieries
- 10-11. Cross-Sections - Silver Creek Collieries
12. Details

Prepared By IDNR Staff


Approved for Bidding:


 Joseph R. Angleton, Director
 Office of Mines and Minerals

Approved By:


 Alfred L. Clayborne, Manager
 AML Division

Approved By:


 Lawrence L. Lewis, P.E.
 IL Licensed Professional Engineer
 No. 0062-038880



Summary of Quantities

#	Item	Section	Quantities						Unit	Rates/Remarks
			Westerby Bros. #2	Taggart Mine	Silver Creek	Binzel C.C.	Rawalt Mine	Total		
1	Special Clearing	201	0.2	0.2	0.2	0.2	0.2	1	L.S.	
2	Earth Excavation	202	-	-	6,246	-	-	6,246	C.Y.	
3	Mine Refuse Excavation	202	-	-	13,274	-	-	13,274	C.Y.	
4	Special Excavation	214	234	39	133	307	154	867	C.Y.	
5	CA-6	216	268	75	172	425	150	1,090	Ton	
6	CA-1	216	89	24	53	185	48	399	Ton	
7	Riprap Fill C-3	216	26	13	28	50	26	143	Ton	
8	Filter Fabric	216	170	43	101	259	86	659	S.Y.	
9	Seeding - Class 1	250	1.4	0.7	4.2	1	0.3	7.6	Acre	
10	Nitrogen Fertilizer Nutrient	250	168	84	504	120	36	912	Pound	120 Lbs./Acre
11	Phosphorous Fertilizer Nutrient	250	210	105	630	150	45	1,140	Pound	150 Lbs./Acre
12	Potassium Fertilizer Nutrient	250	350	175	1,050	250	75	1,900	Pound	250 Lbs./Acre
13	Agricultural Ground Limestone	250	2.8	1.4	8.4	2	0.6	15.2	Ton	2 Tons/Acre
14	Mulch, Method 2, Procedure 2	IDOT 251	1.4	0.7	4.2	1	0.3	7.6	Acre	2 Tons/Acre
15	Mine Refuse Treatment - Limestone	255	-	-	33	-	-	33	Ton	20 Tons/Acre
16	Removal of Existing Structures	501	0.25	0.25	0.25	0.25	-	1	L.S.	
17	Barbed Wire Fence	665	-	-	450	-	-	450	Foot	
18	Mine Opening Marker	666	3	1	1	2	2	9	Each	
19	Mobilization (Max. 6% of Bid)	671	0.2	0.2	0.2	0.2	0.2	1	L.S.	

GENERAL NOTES

Unless otherwise noted on the plans, all disturbed areas within the construction limits will be amended with agricultural ground limestone, fertilizer nutrients, seeded and mulched at the required rates specified in the plans.

The contractor is responsible for visiting the site and familiarizing himself with the existing conditions and the proposed reclamation work prior to submitting a bid.

The contractor shall provide and pay for all field engineering services to execute the project as specified in the Field Engineering section of the Special Provisions.

The contractor is responsible for locating and protecting all existing utility lines pertaining to the work.

Unless noted on the plans, all onsite access roads may be used for construction and must be maintained during construction and restored to original or better condition at the completion of work by the contractor. Access roads to the site as designated in the plans are to be maintained to the satisfaction of the engineer.

The construction limits will be staked by the contractor prior to construction. The contractor is responsible for the repair and or restitution at his own expense for all damages done to any area outside the construction limits.

Application rates specified in the plans are shown in the Summary of Quantities-Rates/Remarks column.

CONSTRUCTION NOTES

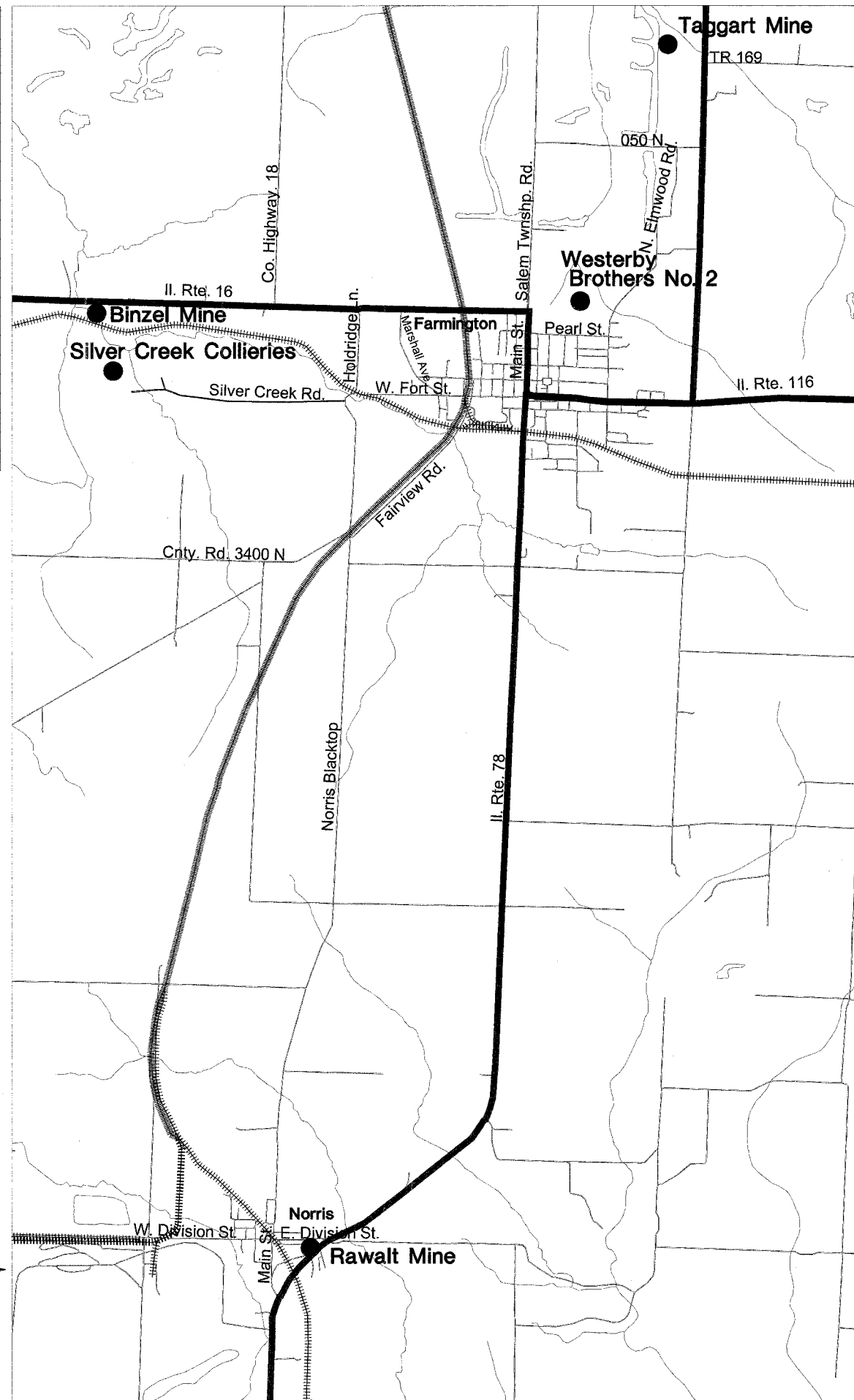
BURIAL/REMOVAL OF MATERIAL-Concrete and masonry debris designated for burial by the engineer shall be buried at least three feet below proposed final grade. Onsite organic debris and trash shall be disposed of in an engineer approved offsite landfill in accordance with Sections 201 and 501 of the Special Provisions.

TREE REMOVAL-Trees removed shall be disposed of onsite per Section 201 of the Special Provisions.

EROSION CONTROL-The contractor shall schedule his operations and take such precautions that may be necessary to prevent or minimize erosion. Failure to comply with this requirement shall cause the contractor to be fully responsible for repairing any eroded areas and cleaning up areas or drainage structures that have become silted in or damaged.

AGRICULTURAL GROUND LIMESTONE-Immediately prior to seed bed preparation, fertilizer nutrients and agricultural ground limestone shall be uniformly spread at the rates specified in the plans.

MULCHING-Within 24 hours from the time seeding has been performed, the seeded area shall be given a covering of mulch at the rates specified in the plans. The mulch is to be anchored into the soil in accordance with the requirements for method 2, procedure 2 of Article 251.03 of the Standard Specifications. If Excelsior or Special Excelsior Blanket is to be used, the blanket shall be placed the same day that the areas are seeded.



Location Map

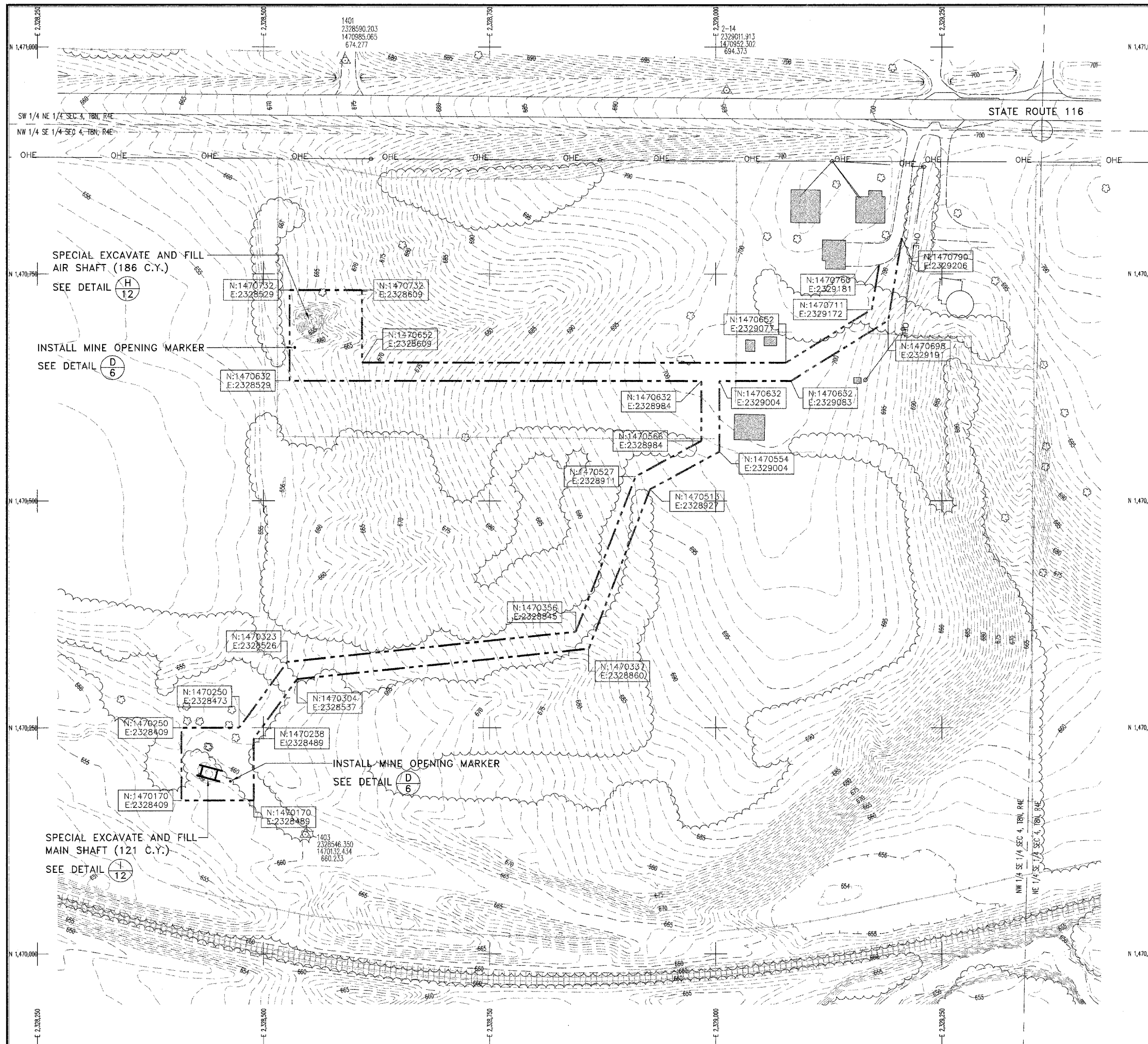


State of Illinois
Department of Natural Resources

Silver Creek Collieries Group
Reclamation Project
AML-GFuE-0503
Know & Fulton Counties

Drawn By: T.M.
Checked By: _____
Date: 8/29/05

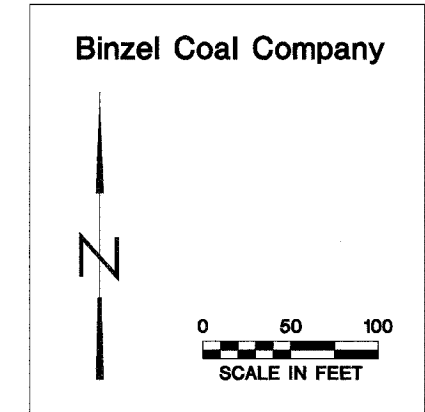
Summary of Quantities/
General Notes/Location Map
Sheet
2 of 12



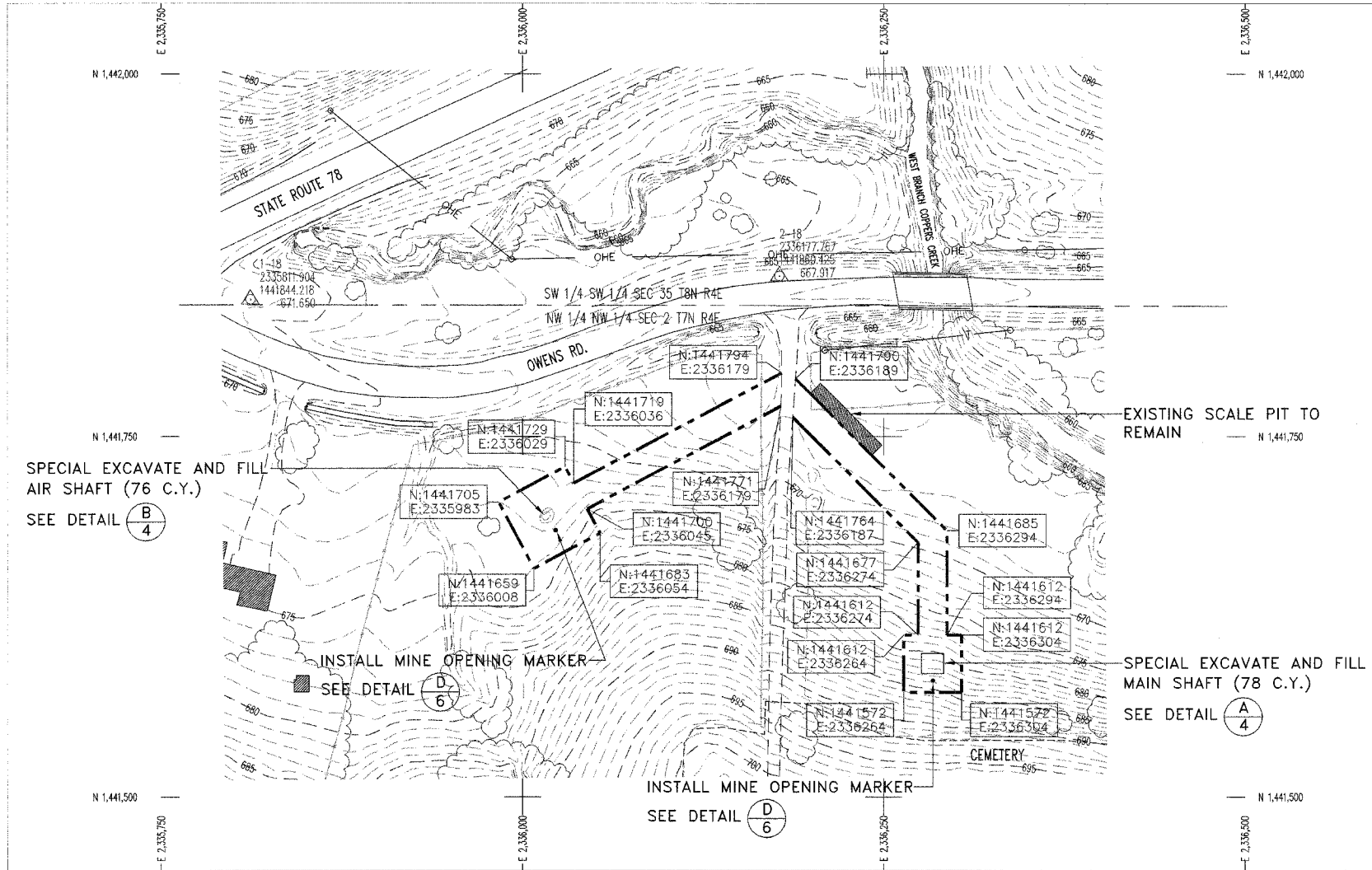
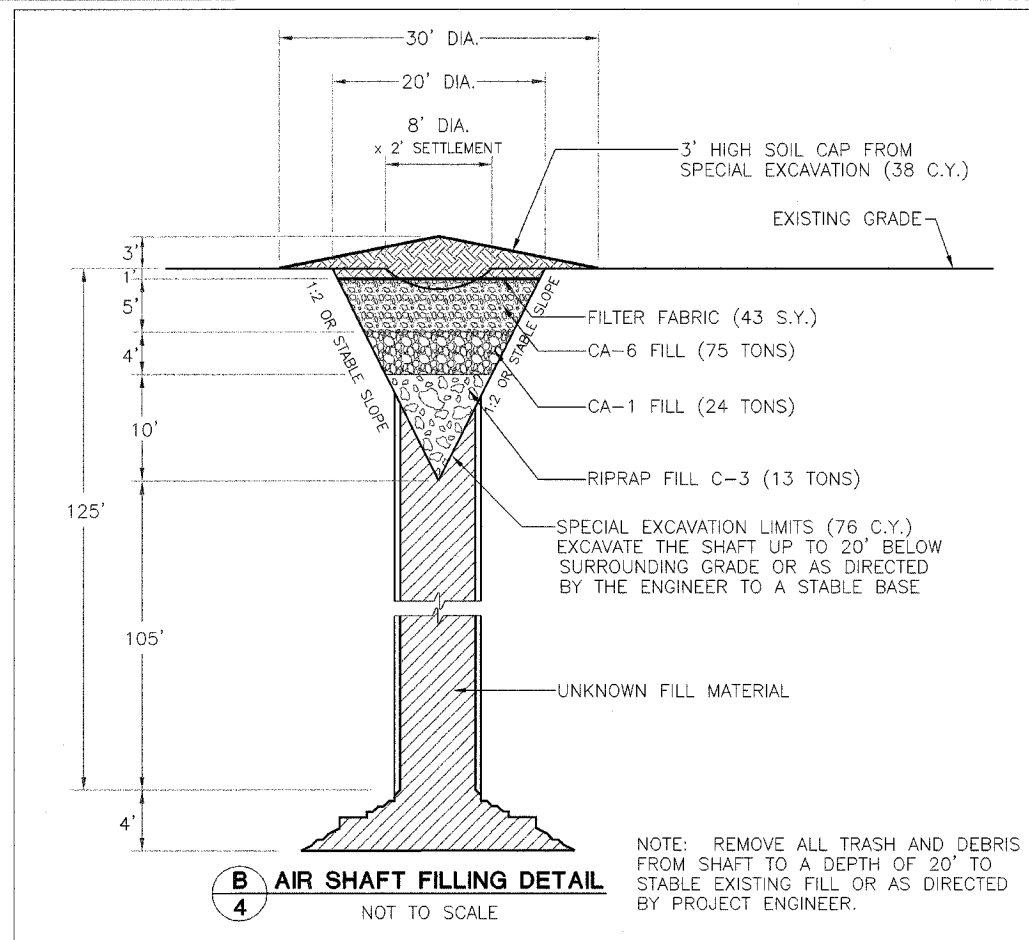
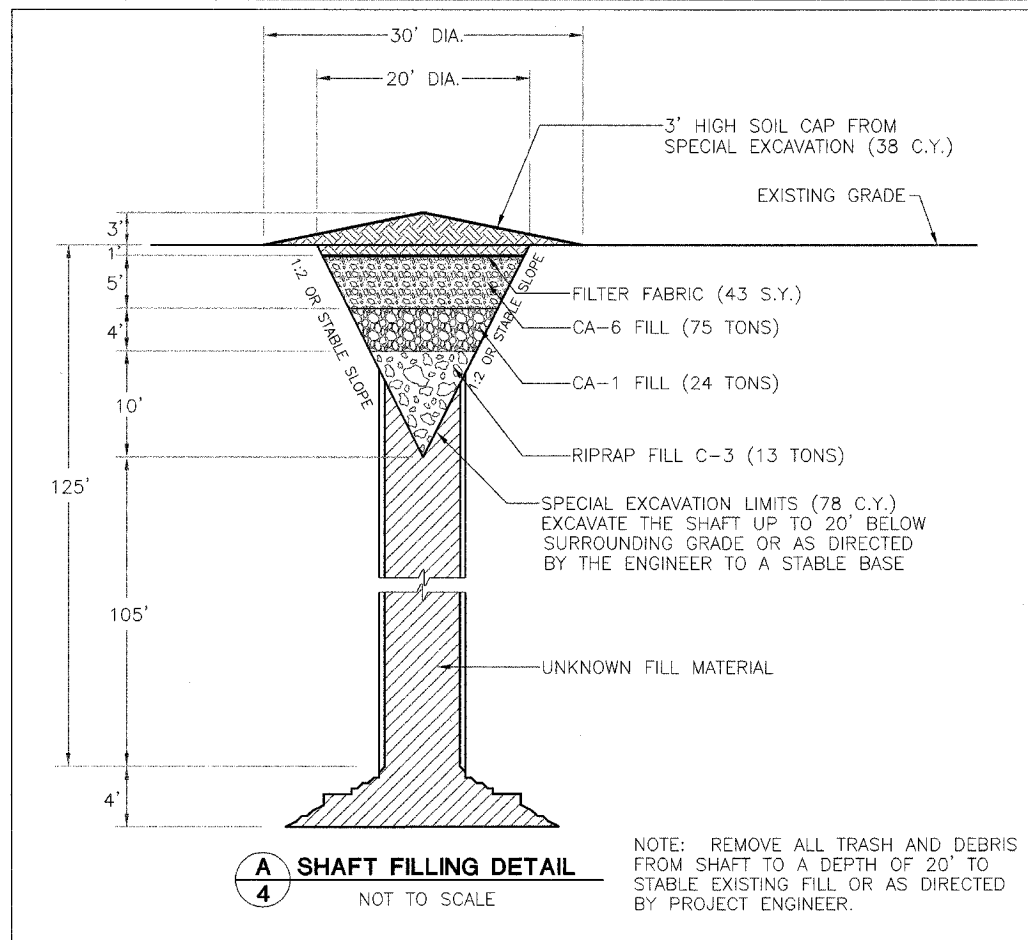
NOTE:
 DUE TO THE UNKNOWN CONDITIONS THAT EXIST IN AND AROUND THE SHAFTS, THE CONTRACTOR SHALL USE EXTREME CAUTION WHEN PERFORMING WORK NEAR THE SHAFTS. THE ENGINEER RESERVES THE RIGHT TO INCREASE OR DECREASE THE QUANTITY FOR SPECIAL EXCAVATION AND BACKFILLING MATERIALS AS DETERMINED BY THE EXACT CONDITIONS ENCOUNTERED DURING SPECIAL EXCAVATION.

---680---	EXISTING CONTOUR
---	CONSTRUCTION/SEEDING LIMITS
---	EDGE OF ROAD
OHE	OVERHEAD ELECTRIC
~~~~~	TREELINE
---	EDGE OF WATER
△	SURVEY CONTROL POINT

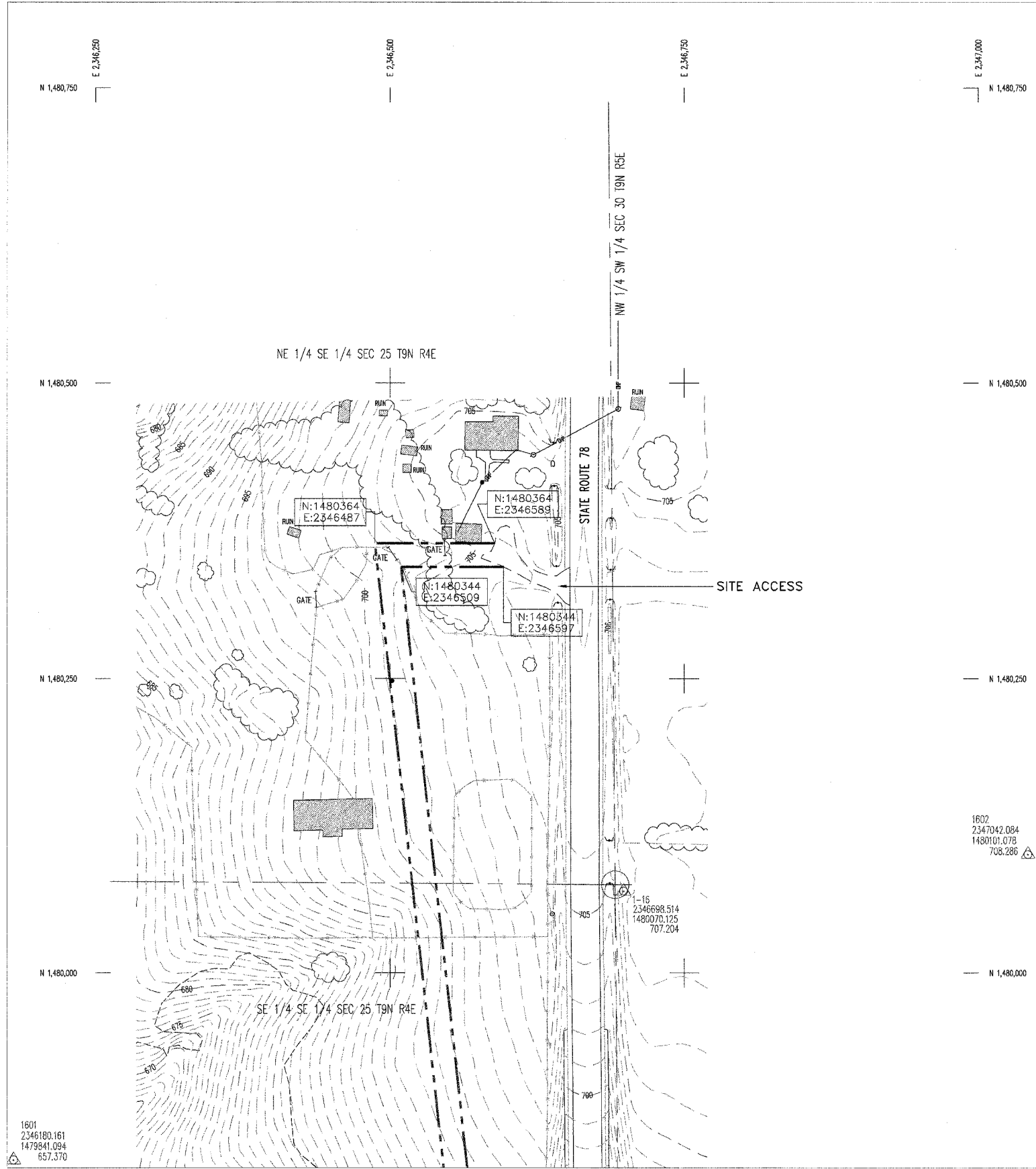
Legend



Drawn By: M-LF  
 Checked By: _____  
 Date: 10/6/2005



**NOTE:**  
DUE TO THE UNKNOWN CONDITIONS THAT EXIST IN AND AROUND THE SHAFTS, THE CONTRACTOR SHALL USE EXTREME CAUTION WHEN PERFORMING WORK NEAR THE SHAFTS. THE ENGINEER RESERVES THE RIGHT TO INCREASE OR DECREASE THE QUANTITY FOR SPECIAL EXCAVATION AND BACKFILLING MATERIALS AS DETERMINED BY THE EXACT CONDITIONS ENCOUNTERED DURING SPECIAL EXCAVATION.



	EXISTING CONTOUR
	CONSTRUCTION/SEEDING LIMITS
	EDGE OF ROAD
	OVERHEAD POWER
	TREELINE
	EDGE OF WATER
	SURVEY CONTROL POINT

Legend

**Taggart Mine Opening**

SCALE IN FEET

1601  
2346180.161  
1479841.094  
657.370

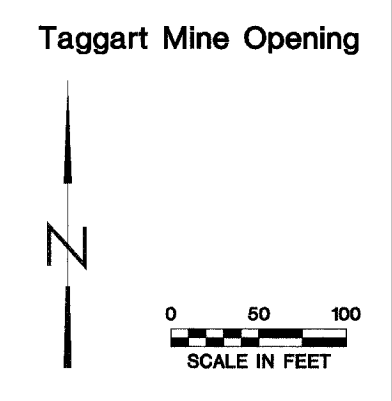
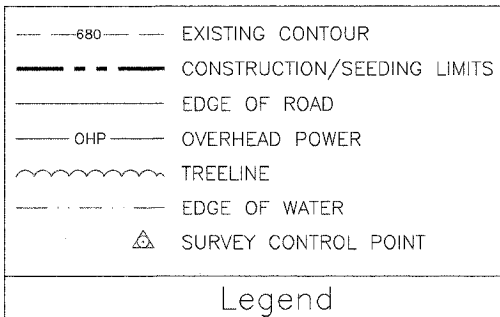
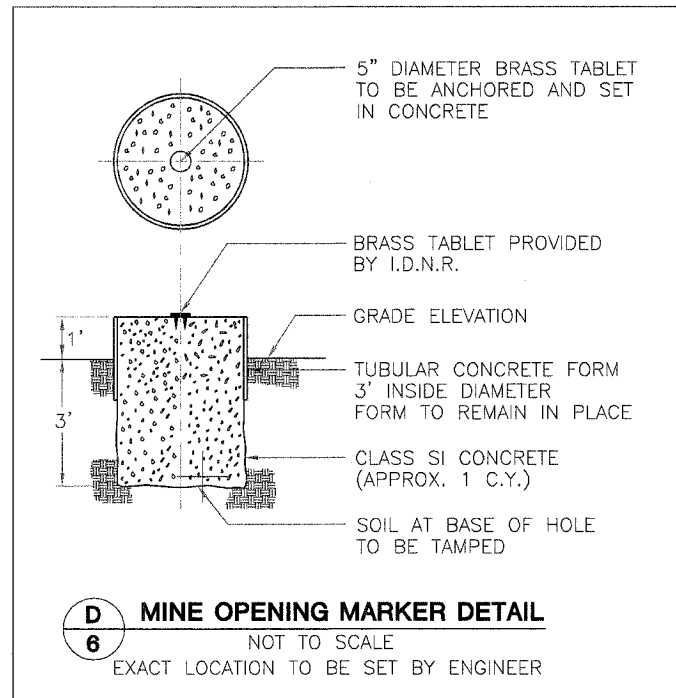
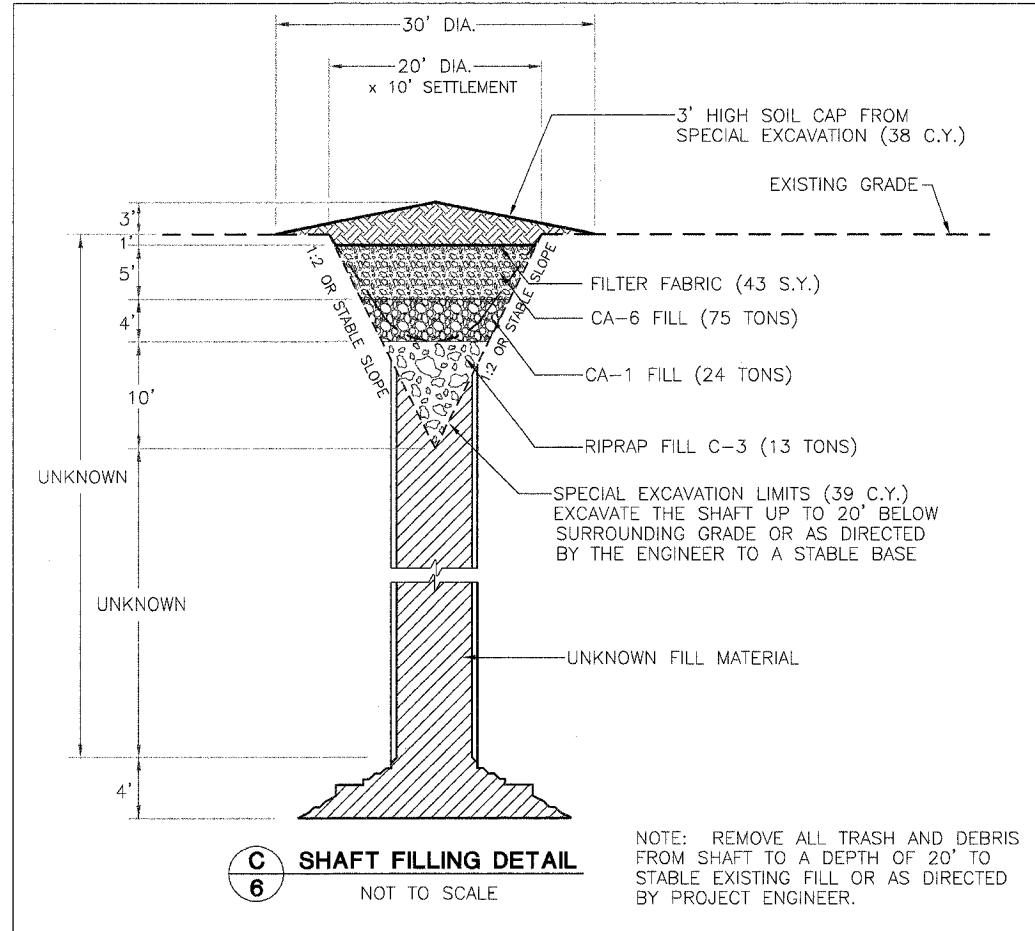
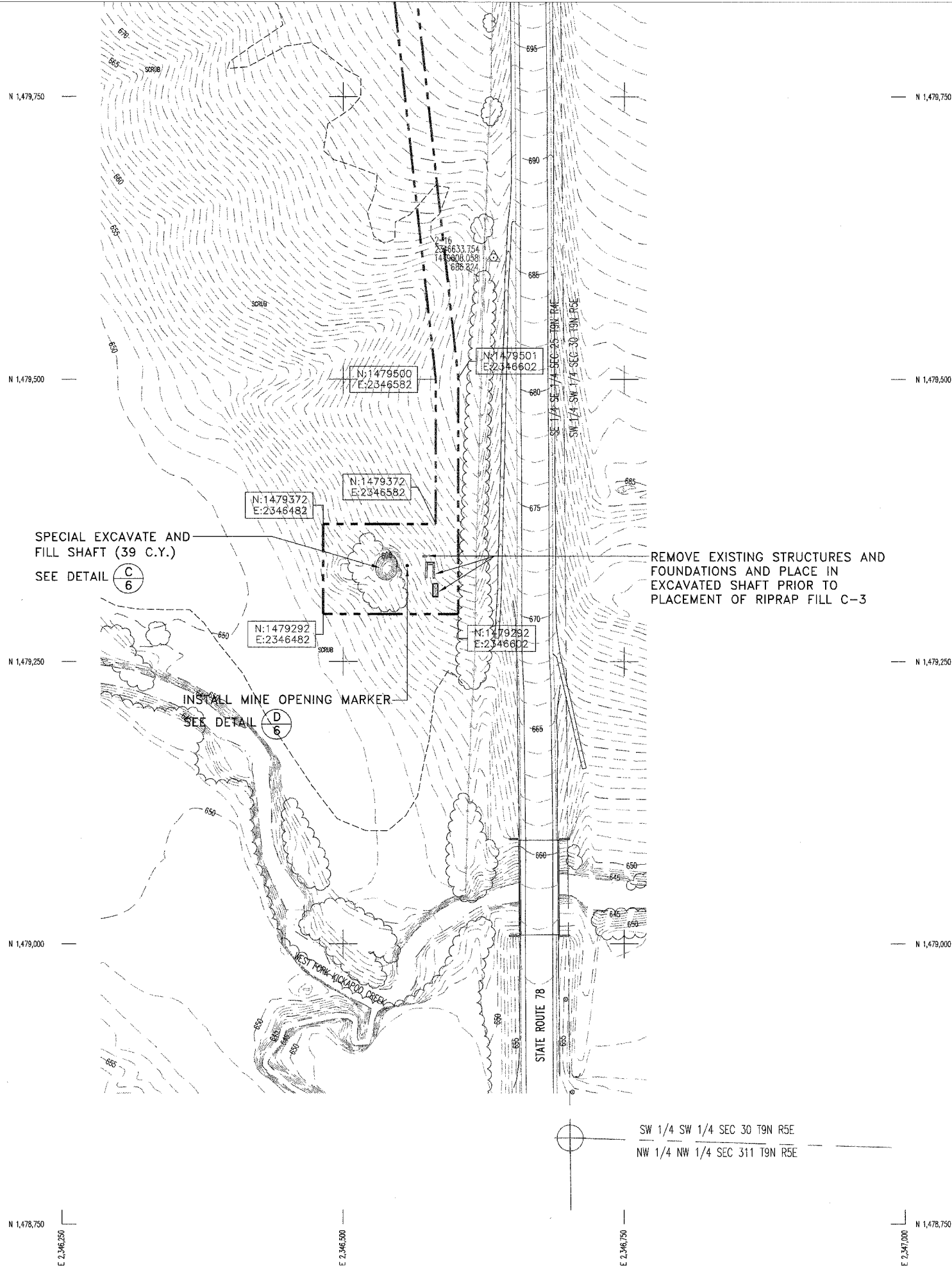
1602  
2347042.084  
1480101.078  
708.286

1-15  
2346698.514  
1480070.125  
707.204

SEE SHEET 6

Drawn By: M-LF Date: 10/7/2005  
Checked By:

SEE SHEET 5



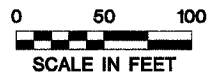
State of Illinois  
Department of Natural Resources

Silver Creek Collieries 'Group'  
Reclamation Project  
AML-GFuE-0503  
Fulton/Knox County

Drawn By: M-LF  
Checked By:  
Date: 10/7/2005

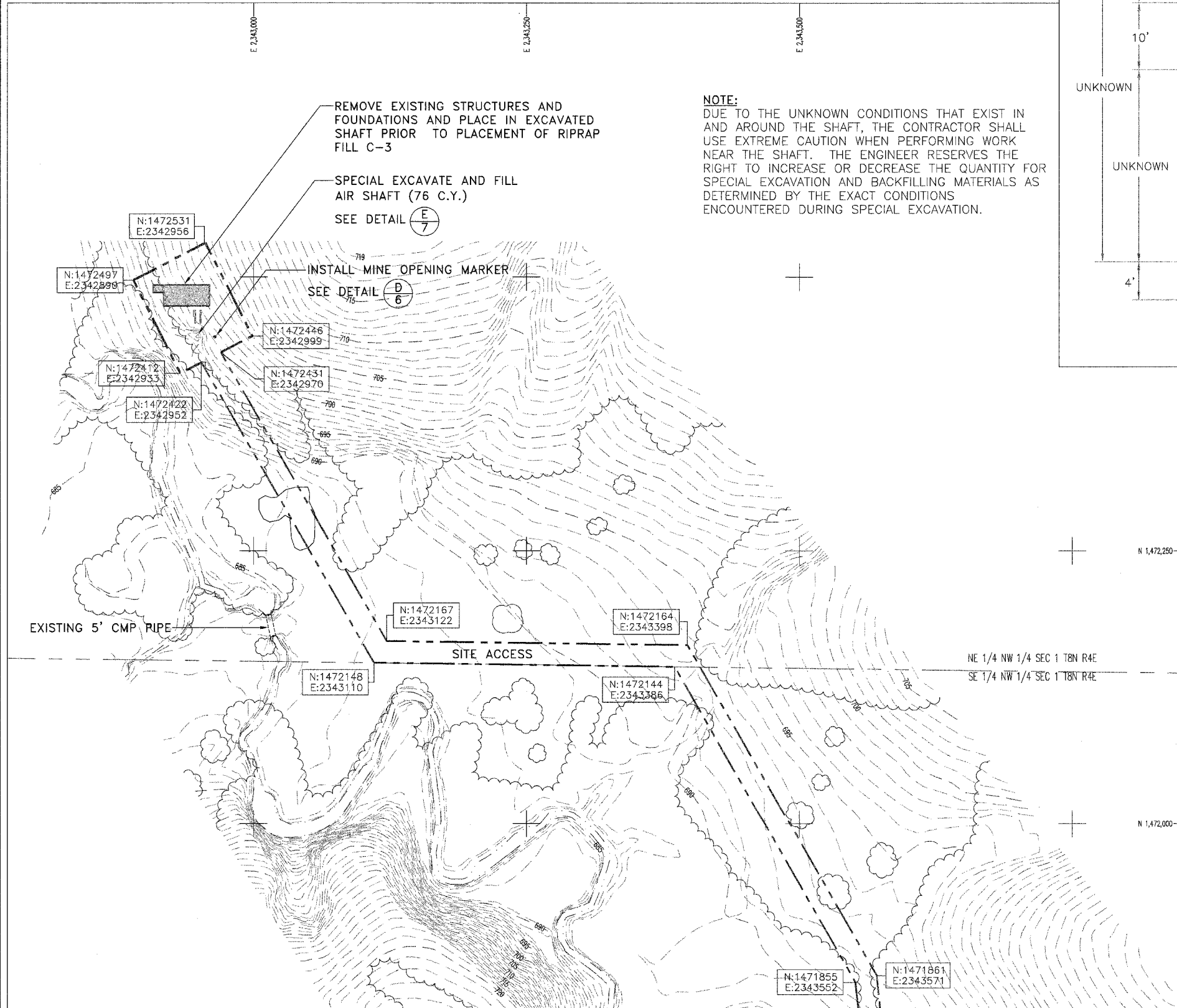
Existing & Proposed  
Conditions  
Sheet  
6 of 12

**Westerby Brothers No. 2**

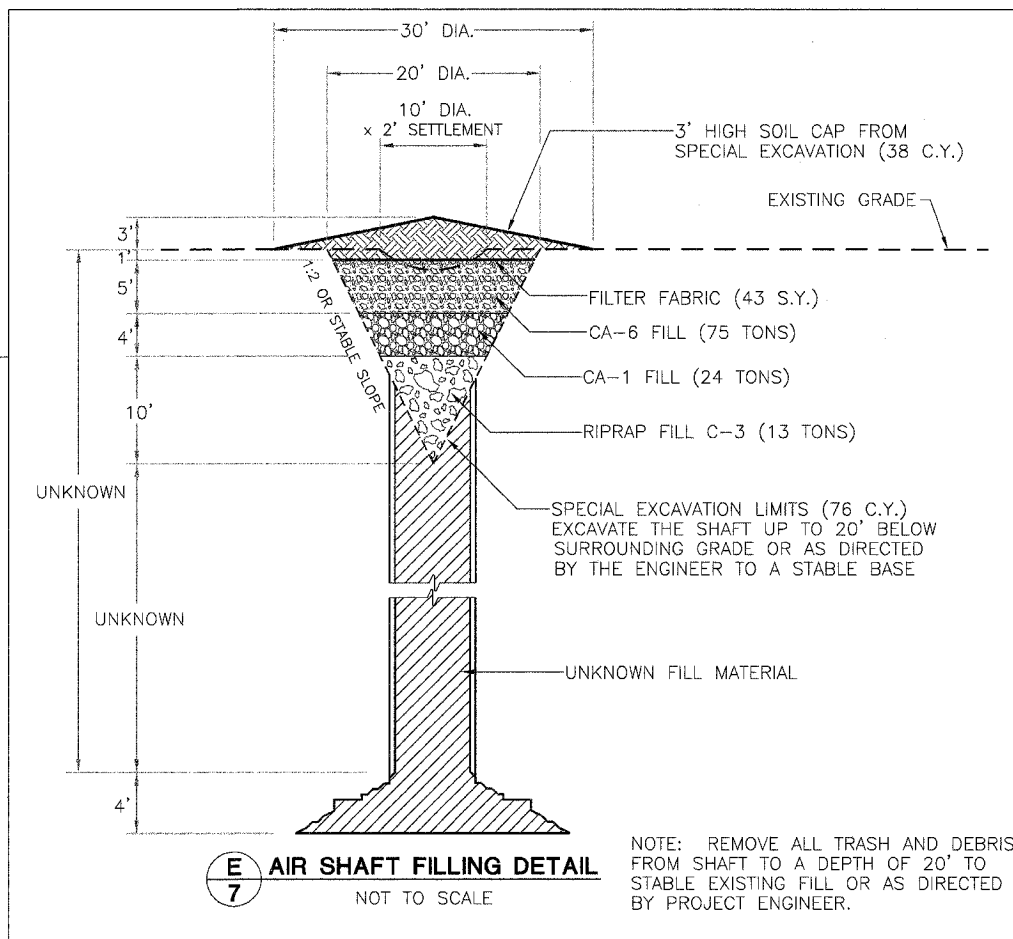


- 680--- EXISTING CONTOUR
- --- CONSTRUCTION/SEEDING LIMITS
- --- EDGE OF ROAD
- --- OHP --- OVERHEAD POWER
- --- TREELINE
- --- EDGE OF WATER
- △ SURVEY CONTROL POINT

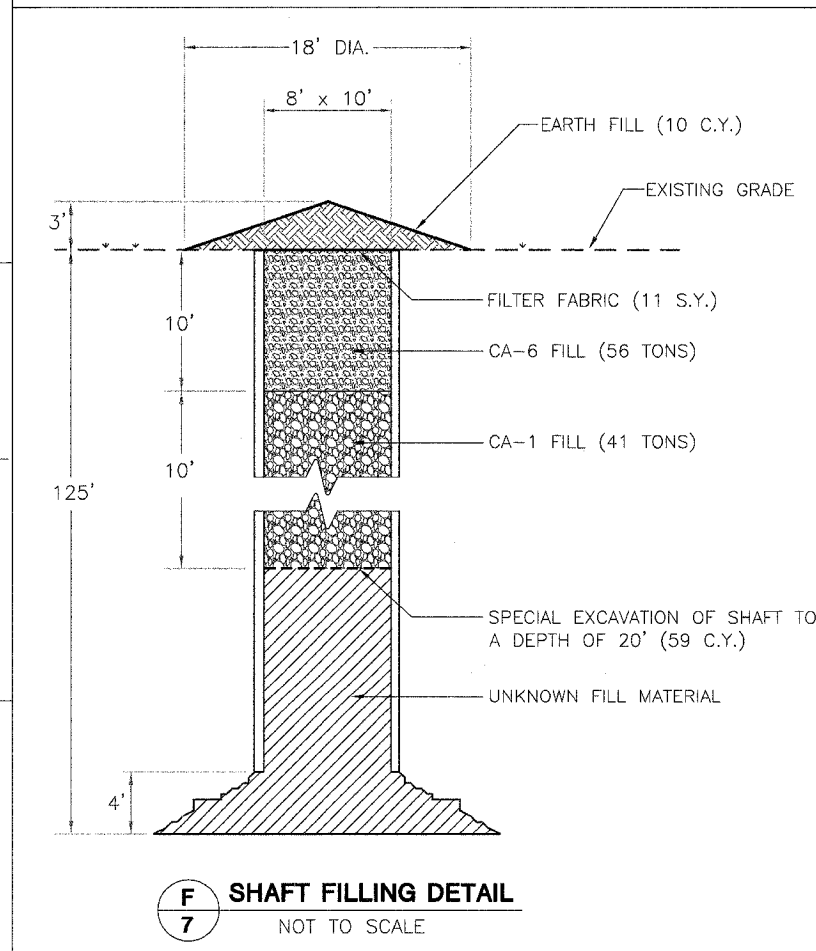
**Legend**



**NOTE:**  
DUE TO THE UNKNOWN CONDITIONS THAT EXIST IN AND AROUND THE SHAFT, THE CONTRACTOR SHALL USE EXTREME CAUTION WHEN PERFORMING WORK NEAR THE SHAFT. THE ENGINEER RESERVES THE RIGHT TO INCREASE OR DECREASE THE QUANTITY FOR SPECIAL EXCAVATION AND BACKFILLING MATERIALS AS DETERMINED BY THE EXACT CONDITIONS ENCOUNTERED DURING SPECIAL EXCAVATION.



**NOTE:** REMOVE ALL TRASH AND DEBRIS FROM SHAFT TO A DEPTH OF 20' TO STABLE EXISTING FILL OR AS DIRECTED BY PROJECT ENGINEER.



SEE SHEET 8

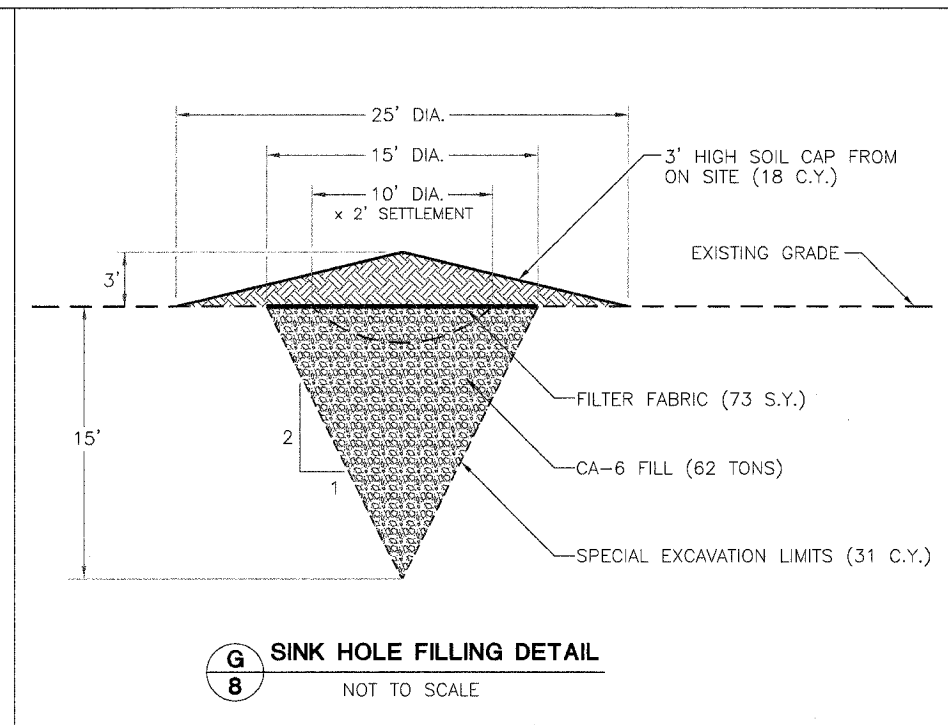
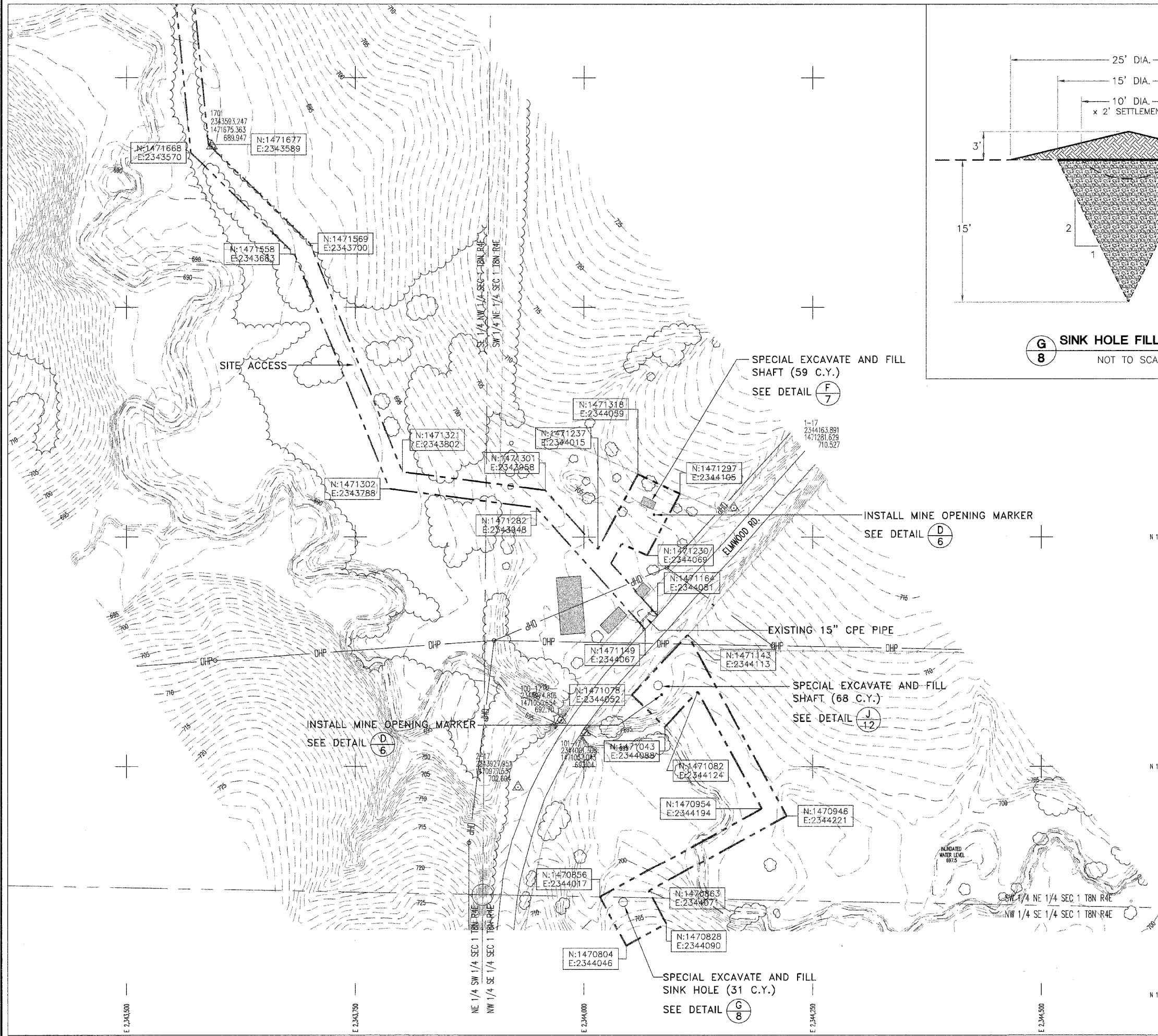
State of Illinois  
Department of Natural Resources

Silver Creek Collieries 'Group'  
Reclamation Project  
AML-GFuE-0503  
Fulton/Knox county

Drawn By: M-LF  
Checked By:  
Date: 10/16/2005

Existing & Proposed  
Conditions  
Sheet  
7 of 12

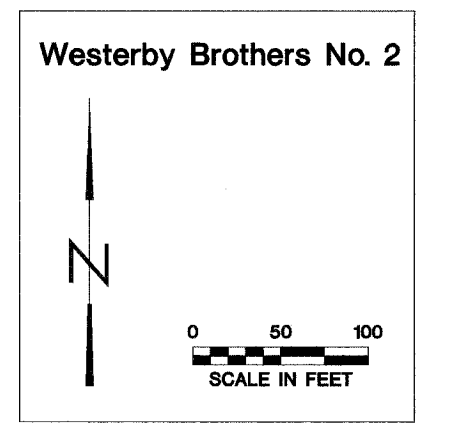
SEE SHEET 8



**NOTE:**  
 DUE TO THE UNKNOWN CONDITIONS THAT EXIST IN AND AROUND THE SHAFTS AND SINK HOLE, THE CONTRACTOR SHALL USE EXTREME CAUTION WHEN PERFORMING WORK NEAR THEM. THE ENGINEER RESERVES THE RIGHT TO INCREASE OR DECREASE THE QUANTITY FOR SPECIAL EXCAVATION AND BACKFILLING MATERIALS AS DETERMINED BY THE EXACT CONDITIONS ENCOUNTERED DURING SPECIAL EXCAVATION.

	EXISTING CONTOUR
	CONSTRUCTION/SEEDING LIMITS
	EDGE OF ROAD
	OVERHEAD POWER
	TREELINE
	EDGE OF WATER
	SURVEY CONTROL POINT

Legend



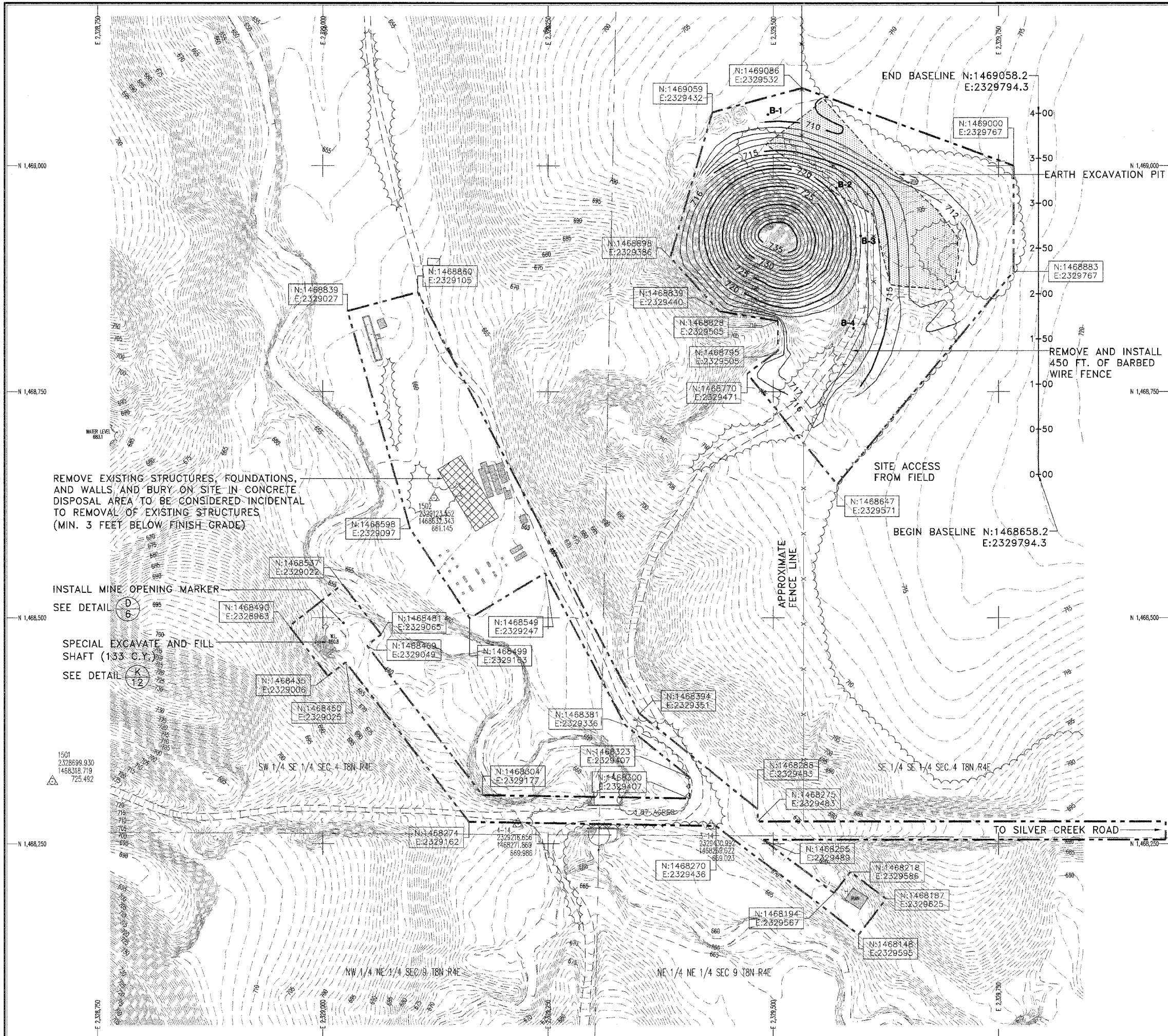
State of Illinois  
 Department of Natural Resources

Silver Creek Collieries 'Group'  
 Reclamation Project  
 AML-GFuE-0503  
 Fulton/Knox County

Drawn By: M-LF  
 Checked By:  
 Date: 10/7/2005

Existing & Proposed  
 Conditions  
 Sheet  
 8 of 12





NOTE:  
 DUE TO THE UNKNOWN CONDITIONS THAT EXIST IN AND AROUND THE SHAFT, THE CONTRACTOR SHALL USE EXTREME CAUTION WHEN PERFORMING WORK NEAR THE SHAFT. THE ENGINEER RESERVES THE RIGHT TO INCREASE OR DECREASE THE QUANTITY FOR SPECIAL EXCAVATION AND BACKFILLING MATERIALS AS DETERMINED BY THE EXACT CONDITIONS ENCOUNTERED DURING SPECIAL EXCAVATION.

— 680 — EXISTING CONTOUR  
 - - - CONSTRUCTION/SEEDING LIMITS  
 ——— EDGE OF ROAD  
 — OHE — OVERHEAD ELECTRIC  
 ~~~~~ TREELINE  
 - - - EDGE OF WATER
 [Hatched Box] EXISTING STRUCTURES TO BE REMOVED
 [Cross-hatched Box] LOCATION OF PROPOSED CONCRETE DISPOSAL AREA
 • B-1 BORING
 ▲ SURVEY CONTROL POINT

Legend

Silver Creek Collieries

SCALE IN FEET

