

**STATE OF ILLINOIS**  
**DEPARTMENT OF TRANSPORTATION**  
**DIVISION OF HIGHWAYS**

FA. RTE	SECTION	COUNTY	TOTAL SHEETS	SHEET NO.
VAR.	2005-065 I	*	13	1
F.I.R.M.A. REC.	ILLINOIS PROJECT			

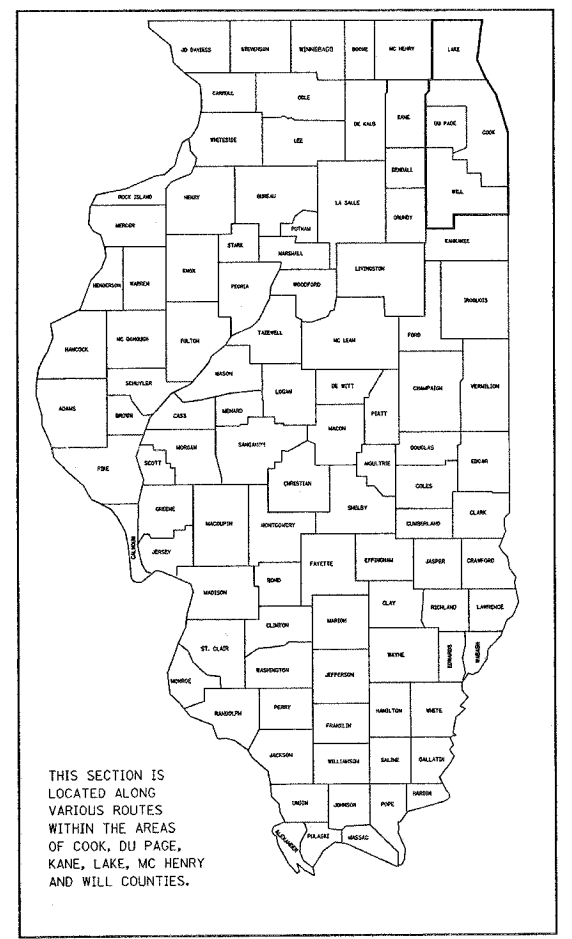
\*COOK, DU PAGE, LAKE AND WILL  
 CONTRACT NO. 60A71

FOR INDEX OF SHEETS, SEE SHEET NO. 2

**PLANS FOR PROPOSED HIGHWAY**

SCALES { PLAN  
 PROFILE HORIZ.  
 PROFILE VERT.  
 CROSS SECTIONS

**ROUTE: VARIOUS DISTRICT ONE**  
**SECTION: 2005-065 I**  
**COUNTIES: VARIOUS (COOK, DU PAGE, LAKE AND WILL)**  
**EXPRESSWAY HIGHWAY CLEANING (SWEEPING)**  
**C-91-100-06**



EXPRESSWAYS	
PLAN SHEET NO.	TEAM SECTION
6	I-290, EDENS & KENNEDY & ELGIN-O'HARE
7	EISENHOWER, STEVENSON & DAN RYAN
8	BISHOP FORD, KINGERY, I-57 & I-80
9	INNER CITY EXPRESSWAY (NORTH)
10	INNER CITY EXPRESSWAY (SOUTH)

SEE LOCATION MAPS - SHEETS 6 THRU 10

**STATE OF ILLINOIS**  
**DEPARTMENT OF TRANSPORTATION**  
**DIVISION OF HIGHWAYS**

SUBMITTED Oct 11, 2005  
Eric E. Horn DEPUTY DIRECTOR OF HIGHWAYS, REGION ENGINEER  
October 14, 2005  
Mike Hine ENGINEER OF DESIGN AND ENVIRONMENT  
October 14, 2005  
Eric E. Horn DIRECTOR, DIVISION OF HIGHWAYS

PRINTED BY THE AUTHORITY  
 OF THE STATE OF ILLINOIS

J.U.L.I.E. :JOINT UTILITY LOCATION  
 INFORMATION FOR EXCAVATION  
 TOLL FREE PHONE: 1-800-892-0123

CONTRACT NO. 60A71

REGION ONE/ BUREAU OF DESIGN  
 PLAN PREPARATION ENGINEER: K. ENG/ R. BURO (847) 705-4178

F. A. SHEET	SECTION	COUNTY	TOTAL SHEETS	SHEET NO.
VAR.	2005-065 I	VARIOUS	13	2
STA.		TO STA.		
FED. ROAD DIST. NO.	ILLINOIS	FED. AID PROJECT		

\* COOK, DU PAGE, LAKE AND WILL  
 CONTRACT NO. 60A71

INDEX OF SHEETS

1. TITLE SHEET
2. INDEX OF SHEETS  
 APPLICABLE STATE STANDARDS
3. SUMMARY OF QUANTITIES  
 SCHEDULE OF CLEANING STARTING DATES
4. EXPRESSWAY TYPICAL SECTIONS
5. LIMITS OF SIGN CLEANING
- 6.- 10. LOCATION SHEETS
11. DISTRCT ONE DETAILS: TRAFFIC CONTROL DEVICES FOR  
 HIGHWAY AND SIGN CLEANING OPERATIONS-NIGHT TIME ONLY
12. DISTRICT ONE DETAILS: TRAFFIC CONTROL DEVICES FOR  
 HIGHWAY AND SIGN CLEANING OPERATIONS-DAY TIME ONLY
13. TRAFFIC CONTROL DETAILS FOR SHOULDER CLOSURES  
 AND PARTIAL RAMP CLOSURES

STATE STANDARDS

- |  |   |
|--|---|
| <p>701101-01<br/>         701400-02<br/>         701401-03<br/>         701 411-03<br/>         701426-02<br/>         702001-05</p> | <p>OFF-ROAD OPERATION 2L, 2W, DAY ONLY FOR SPEEDS &gt;45 MPH<br/>         APPROACH TO LANE CLOSURE, FREEWAY/EXPRESSWAY<br/>         LANE CLOSURE, FREEWAY/EXPRESSWAY<br/>         LANE CLOSURE, MULTILANE AT ENTERANCE/EXIT RAMP FOR SPEEDS &gt;45 MPH<br/>         LANE CLOSURE, MULTILANE INTERMITTENT OR MOVING OPERATION FOR SPEEDS &gt;45 MPH<br/>         TRAFFIC CONTROL DEVICES</p> |
|--|---|

REVISIONS	
NAME	DATE

ILLINOIS DEPARTMENT OF TRANSPORTATION  
 INDEX OF SHEETS AND STATE STANDARDS  
 SCALE: NONE  
 DATE: 10/17/2005  
 DRAWN BY  
 CHECKED BY

SUMMARY OF QUANTITIES

100% STATE URBAN

CODE NO.	ITEM	UNIT	MAIN QUANTITY
XQ323141	SUPPLEMENTAL SWEEPING	MILE	150
XQ324104	INNER CITY SWEEPING (SPECIAL)	MILE	1763
XQ329915	FULL EXPRESSWAY CLEANING CYCLE	EACH	6
XQ330650	INITIAL EXPRESSWAY CLEANING CYCLE	EACH	1
XQ414200	SIGN CLEANING CYCLE	EACH	1
XQ539100	INNER CITY EXPRESSWAY CLEANING CYCLE	EACH	5

EXPRESSWAY CLEANING SCHEDULE OF STARTING DATES - 2006

INITIAL CLEANING CYCLE	----	FEBRUARY 1
1st FULL CLEANING CYCLE	----	APRIL 12
1st INNER CITY CLEANING CYCLE	----	MAY 4
2nd FULL CLEANING CYCLE	----	MAY 24
2nd INNER CITY CLEANING CYCLE	----	JUNE 15
3rd FULL CLEANING CYCLE	----	JULY 5
3rd INNER CITY CLEANING CYCLE	----	JULY 27
4th FULL CLEANING CYCLE	----	AUGUST 16
4th INNER CITY CLEANING CYCLE	----	SEPTEMBER 7
5th FULL CLEANING CYCLE	----	SEPTEMBER 26
5th INNER CITY CLEANING CYCLE	----	OCTOBER 19
6th FULL CLEANING CYCLE	----	NOVEMBER 8

(RECOMMENDED TO BE COMPLETED ON OR BEFORE NOVEMBER 30)

EXPRESSWAY CLEANING SCHEDULE OF STARTING DATES - 2007

INITIAL CLEANING CYCLE	----	FEBRUARY 1
1st FULL CLEANING CYCLE	----	APRIL 12
1st INNER CITY CLEANING CYCLE	----	MAY 4
2nd FULL CLEANING CYCLE	----	MAY 24
2nd INNER CITY CLEANING CYCLE	----	JUNE 15
3rd FULL CLEANING CYCLE	----	JULY 5
3rd INNER CITY CLEANING CYCLE	----	JULY 27
4th FULL CLEANING CYCLE	----	AUGUST 16
4th INNER CITY CLEANING CYCLE	----	SEPTEMBER 7
5th FULL CLEANING CYCLE	----	SEPTEMBER 26
5th INNER CITY CLEANING CYCLE	----	OCTOBER 19
6th FULL CLEANING CYCLE	----	NOVEMBER 8

(RECOMMENDED TO BE COMPLETED ON OR BEFORE NOVEMBER 30)

SIGN CLEANING CYCLES SCHEDULE OF STARTING DATES - 2006

SIGN CLEANING CYCLE	----	FEBRUARY 1 (TO BE COMPLETED ON OR BEFORE APRIL 30 2006)
---------------------	------	---

SIGN CLEANING CYCLES SCHEDULE OF STARTING DATES - 2007

SIGN CLEANING CYCLE	----	FEBRUARY 1 (TO BE COMPLETED ON OR BEFORE APRIL 30 2007)
---------------------	------	---

NOTES:

- SCHEDULE MAY VARY AS DIRECTED BY THE ENGINEER.
- THE CONTRACTOR MAY NOT START CLEANING CYCLES BEFORE THE DATES SCHEDULED IN THE PLANS WITHOUT WRITTEN AUTHORIZATION FROM THE ENGINEER.
- NO WORK WILL BE ALLOWED DURING ANY LEGAL HOLIDAY PERIOD.

REVISIONS	
NAME	DATE

ILLINOIS DEPARTMENT OF TRANSPORTATION  
SUMMARY OF QUANTITIES  
AND  
SCHEDULE OF STARTING DATES

SCALE: NONE  
DATE: 10/17/2005

DRAWN BY  
CHECKED BY

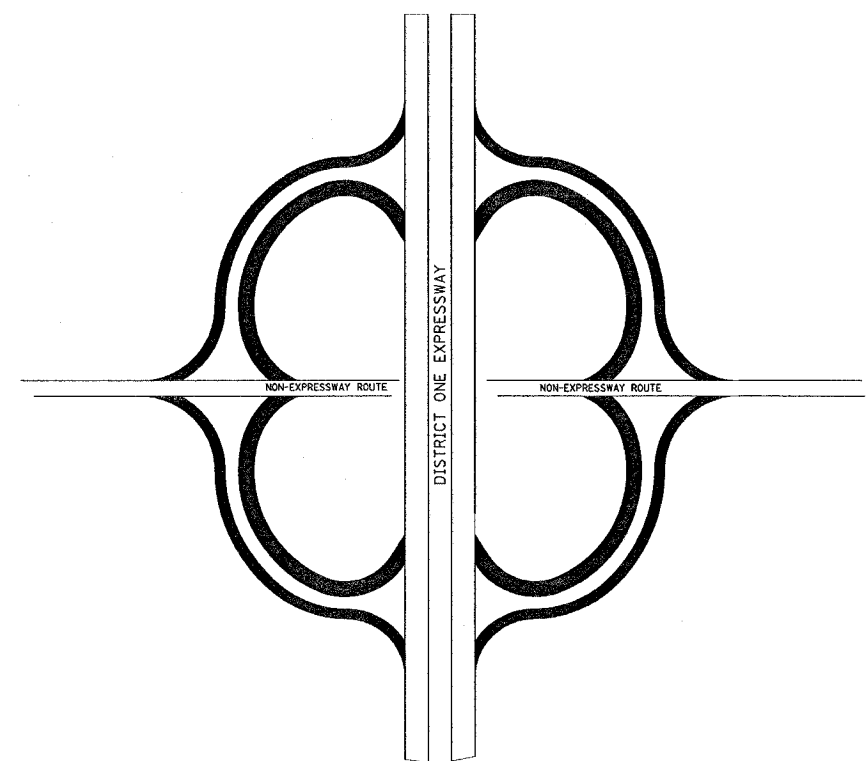
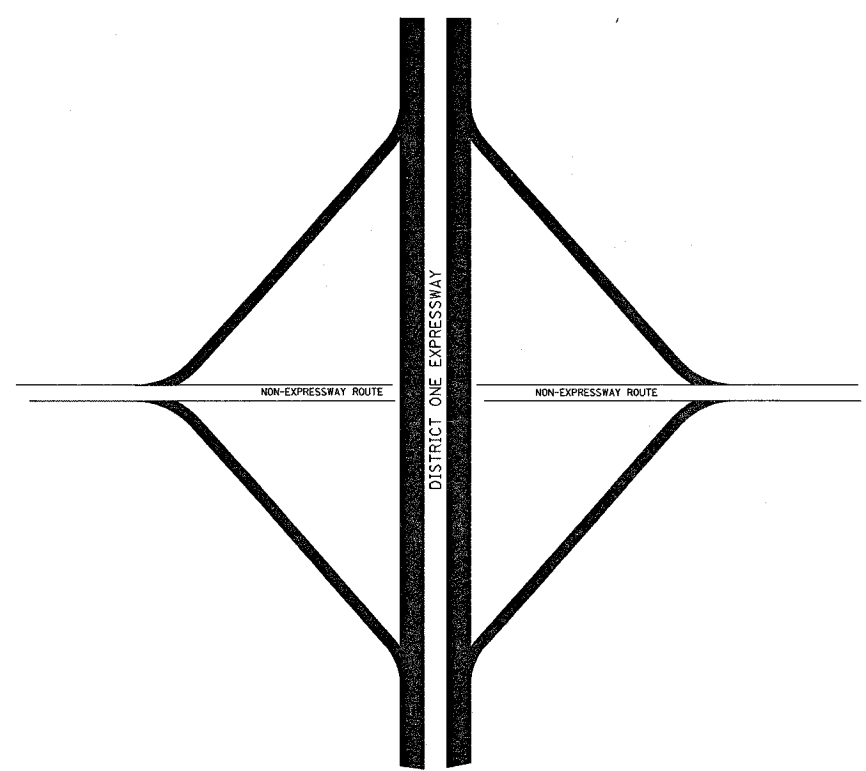



P. & E.	SECTION	COUNTY	TOTAL SHEETS	SHEET NO.
VAR.	2005-065 I	VARIOUS	13	5
STA.	TO STA.			
FED. ROAD DIST. NO.	BLDGES	FED. AID PROJECT		

CONTRACT NO. 60A71

EXPRESSWAY PARTNERSHIP RECOGNITION SIGN LOCATIONS

NO.	SPONSOR	LOCATION
1	MID-TOWN TENNIS	KENNEDY, OUTBOUND, NORTH AVE. TO FULLERTON
2	U.S. CELLULAR	KENNEDY, OUTBOUND, HARLEM TO CANFIELD
3	UNILOCK	KENNEDY, OUTBOUND, CANFIELD TO CUMBERLAND
4	MONARCH STEEL	KENNEDY, INBOUND, CUMBERLAND TO CANFIELD
5	MIDWEST GROUNDCOVERS/TRADING	KENNEDY, INBOUND, NAGLE TO CENTRAL
6	CHICAGO CUBS	KENNEDY, INBOUND, IRVING PARK TO BELMONT
7	900 N. MICHIGAN SHOPS	KENNEDY, INBOUND, FULLERTON TO NORTH
8	CHICAGO BEARS	KENNEDY, INBOUND, NORTH AVE. TO OGDEN
9	MILLER BREWING	KENNEDY, OUTBOUND, AT OGDEN ENTRANCE
10	CHICAGO BULLS	KENNEDY, OUTBOUND, AT MILWAUKEE EXIT
11	McGRATH LEXUS	KENNEDY, OUTBOUND, AT DIVISION
12	HOME DEPOT, INC.	KENNEDY, OUTBOUND, AT NORTH AVE.
13	A. FINKL & SONS/GENERAL IRON	KENNEDY, OUTBOUND, AT ARMITAGE
14	BUCKTOWN GARDEN CLUB	KENNEDY, OUTBOUND, AT CORTLAND/ASHLAND
15	GUSTITUS GROUP	KENNEDY, OUTBOUND, AT FULLERTON
16	LINCOLN PARK YOUNG PROFESSIONALS	KENNEDY, IN/OUTBOUND, AT DAMEN
17	UBS	KENNEDY, OUTBOUND, AT IRVING PARK
18	EDWARD FOX PHOTOGRAPHY	KENNEDY, OUTBOUND, AT LAWERENCE
19	ESURANCE	KENNEDY, OUTBOUND, AT BRYN MAWR EXIT
20	McGINTY BROTHERS	KENNEDY, OUTBOUND, AT CUMBERLAND EXIT (WEST SIDE)
21	MARILYN MIGLIN LP	KENNEDY, OUTBOUND, AT CUMBERLAND EXIT (EAST SIDE)
22	GALE STREET INN	KENNEDY, INBOUND, AT AUSTIN EXIT
23	EDWARD FOX PHOTOGRAPHY	KENNEDY, INBOUND, AT PULASKI ENTRANCE
24	MARMOM GROUP, INC.	KENNEDY, INBOUND AT FULLERTON
25	A. FINKL & SONS/GENERAL IRON	KENNEDY, INBOUND, AT ARMITAGE
26	GOOSE ISLAND BEER COMPANY	KENNEDY, INBOUND, AT NORTH AVE ENTRANCE
27	SAM'S WINE AND SPIRITS	KENNEDY, INBOUND, AT NORTH AVE EXIT
28	CHRISTY WEBBER & CO.	KENNEDY, INBOUND, AT DIVISION
29	THE JOHN BUCK COMPANY	KENNEDY, INBOUND, AT OGDEN EXIT
30	YELLOW CAB	KENNEDY, SOUTHBOUND, GRAND TO HUBBARD
31	KIMPTON HOTELS	KENNEDY, SOUTHBOUND, FULLERTON TO LAKE
32	CLEAR CHANNEL	KENNEDY, SOUTHBOUND, RANDOLPH TO WASHINGTON
33	HORSESHOE CASINO	KENNEDY, SOUTHBOUND, WASHINGTON TO MADISON
34	RPM ADVERTISING	KENNEDY, SOUTHBOUND, MADISON TO MONROE
35	CHICAGO FIREHOUSE	KENNEDY, SOUTHBOUND, MONROE TO ADAMS
36	NBC	KENNEDY, NORTHBOUND, RANDOLPH TO LAKE
37	CHCA/NCA	KENNEDY, NORTHBOUND, LAKE TO WAYMAN
38	CONCIERGE PREFERRED	KENNEDY, NORTHBOUND, HUBBARD TO GRAND
39	HOER LANDSCAPE ARCHITECTURE	EDENS, OUTBOUND, JUNCTION TO FOSTER
40	PANORAMIC LANDSCAPING	EDENS, IN/OUTBOUND, AT PETERSON EXIT/ENTERANCE RAMPS
41	NATIONAL CITY BANK	EISENHOWER, OUTBOUND, HALSTED TO ASHLAND
42	ARAMARK	EISENHOWER, OUTBOUND, WESTERN TO KEDZIE
43	COM ED	EISENHOWER, OUTBOUND, PULASKI TO CICERO
44	AMERICAN MEDICAL ASSOC.	EISENHOWER, INBOUND, LEAVITT TO DAMEN
45	RUBLOFF	EISENHOWER, INBOUND, ASHLAND TO HALSTED
46	CHICAGO PARK DISTRICT	EISENHOWER, OUTBOUND, AT CENTRAL (EXIT/ENTERANCE RAMPS)
47	CLASSIC COLOR	EISENHOWER, AT CENTRAL (MEDIANS)
48	CHINATOWN CHAMBER OF COMERCE	STEVENSON, OUTBOUND, AT STATE ST. EXIT
49	MIDWEST GENERATION	STEVENSON, OUTBOUND, AT PULASKI EXIT
50	SOUTHWEST AIRLINES	STEVENSON, OUTBOUND, AT CICERO ENTRANCE
51	CANADIAN NAT'L/ILL. CENTRAL RR	STEVENSON, INBOUND, AT CICERO
52	CHICAGO WHITE SOX	DAN RYAN, OUTBOUND, 31st ST. TO 39th ST.
53	ILL. SPORTS FACILITIES AUTHORITY	DAN RYAN, OUTBOUND, 39th ST. TO 47th ST.
54	ILLINOIS INSTITUTE OF TECHNOLOGY	DAN RYAN, INBOUND, 39th ST. TO 31st ST.
55	HORSESHOE CASINO	DAN RYAN, POLK ST. MEDIANS
56	UNITED SERVICE COMPANIES	OHIO INTERCHANGE, NORTHBOUND INTERIOR
57	10 PIN	KENNEDY, SOUTHBOUND, AT OHIO ST. EXIT, EASTSIDE
58	HYATT HOTELS & RESORTS	OHIO INTERCHANGE, SOUTHBOUND INTERIOR
59	NEIGHBORS OF RIVER WEST	OHIO INTERCHANGE, ONTARIO ENTRANCE, SOUTH SIDE
60	TUSCANY RESTRAUNT	OHIO INTERCHANGE, ONTARIO ENTRANCE, NORTH SIDE
61	KINSELLA LANDSCAPE	OHIO INTERCHANGE, SOUTHEAST RAMP
62	BP	EDENS/KENNEDY JUNCTION
63	WASTE MANAGMENT	BISHOP FORD, AT 111th ST., WEST SIDE
64	McCORMICK GATEWAY SCULPTURE	CERMAK/MARTIN LUTHER KING DRIVE
65	HARRY CARAY'S/ DePORTER GATEWAY	OHIO/ORLEANS TRIANGLE, INBOUND



 LIMITS OF SIGN CLEANING

REVISIONS	
NAME	DATE

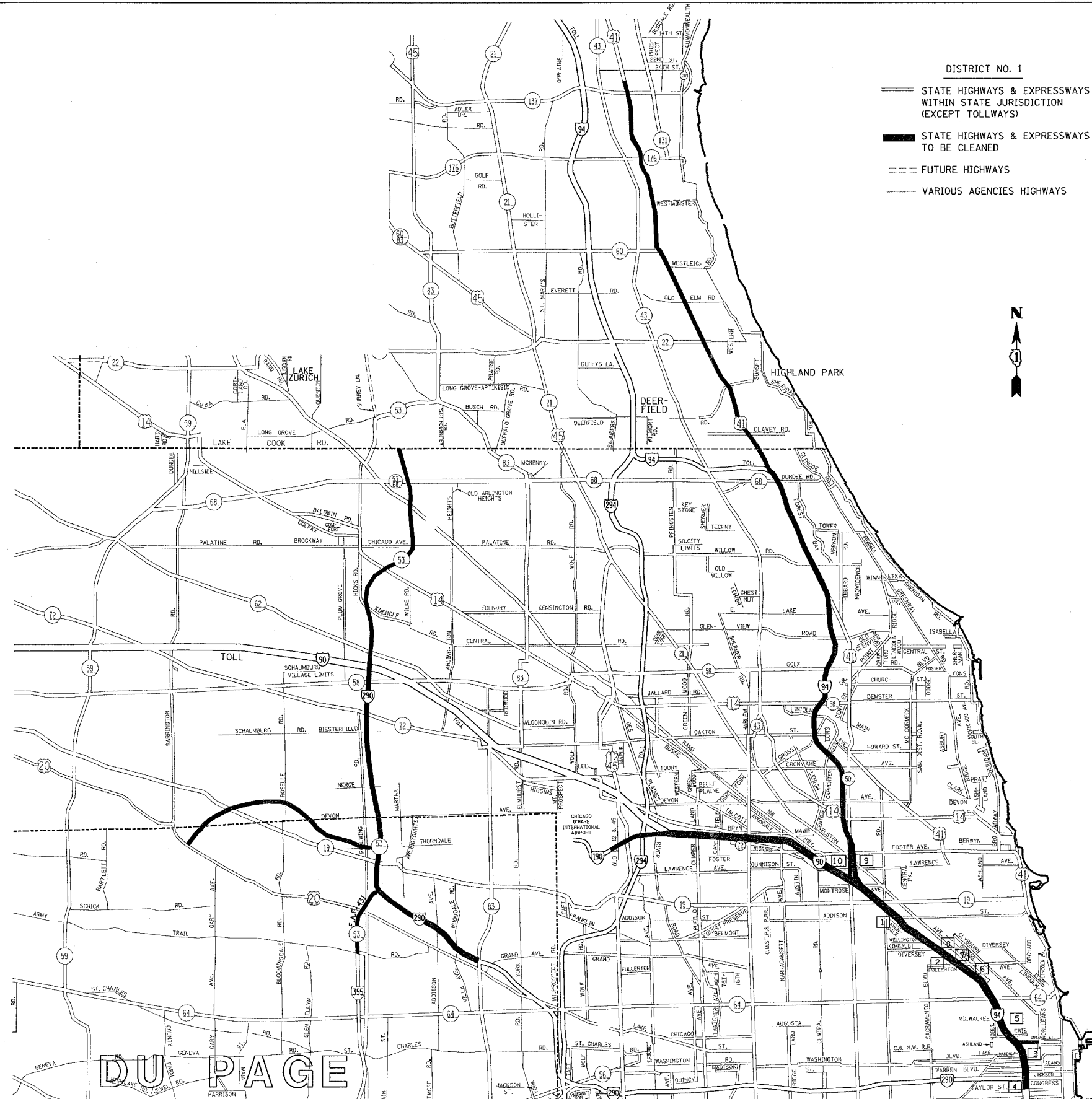
ILLINOIS DEPARTMENT OF TRANSPORTATION  
EXPRESSWAY AND ARTERIAL HIGHWAY  
CLEANING (SWEEPING)

**LIMITS OF  
SIGN CLEANING**

SCALE: NONE  
DATE: 10/17/2005

DRAWN BY  
CHECKED BY

P.A. NO.	SECTION	COUNTY	TOTAL SHEETS	SHEET NO.
VAR.	2005-065 I	VARIOUS	13	6
STA.		TO STA.		
FED. ROAD DIST. NO.	BLINDS	FED. AID PROJECT		
CONTRACT 60471				



DISTRICT NO. 1

STATE HIGHWAYS & EXPRESSWAYS WITHIN STATE JURISDICTION (EXCEPT TOLLWAYS)

STATE HIGHWAYS & EXPRESSWAYS TO BE CLEANED

FUTURE HIGHWAYS

VARIOUS AGENCIES HIGHWAYS

**DAY CLEANING ONLY**

I-290 Extension/ILL. 53/Elgin-O'Hare Expressway  
 I-290 from Illinois 83 to Northwest Tollway, Illinois 53 from Northwest Tollway to Lake Cook Road Including I-355 from I-290 to Army Trail Road and the Elgin-O'Hare Expressway from the east side of the bridge over I-290 to U.S. Route 20.

Edens Expressway  
 Interstate 94 from Montrose to Dundee Road and U.S. 41 from Dundee Road to 700 lineal feet north of Illinois 137 Including two ramps at Clavey Road, two ramps at West Park Avenue, four ramps at Deerpath Road and the entire US 41/Deerfield Road interchange. Also included is Tower Road from Edens Expressway to Forestway Drive.

**NIGHT CLEANING ONLY**

Kennedy Expressway  
 Interstate 90/94 from Taylor Street to Interstate 90, Interstate 90 from Interstate 90/94 to Interstate 190, Interstate 190 from Interstate 90 to the east limits of O'Hare International Airport, the Ohio Street Feeder, from Orleans Street to Interstate 90/94, I-90 from I-190 to the Tollway turn around.

**ACCIDENT INVESTIGATION SITES:**

1. INBOUND INTERSTATE 90/94 AT ADDISON STREET OFF RAMP.
2. INBOUND INTERSTATE 90/94 ALONG FULLERTON AVENUE UNDER INTERSTATE 90/94.
3. INBOUND INTERSTATE 90/94 IN THE OHIO STREET INFIELD.
4. INTERSTATE 90/94 AT POLK AVENUE.
5. OUTBOUND INTERSTATE 90/94 ALONG DIVISION STREET OFF RAMP.
6. OUTBOUND INTERSTATE 90/94 ALONG INTERSTATE 90/94 AT DAMEN AVENUE.
7. OUTBOUND INTERSTATE 90/94 ALONG FULLERTON AVENUE UNDER INTERSTATE 90/94.
8. OUTBOUND INTERSTATE 90/94 ALONG KIMBALL STREET OFF RAMP.
9. OUTBOUND INTERSTATE 94 ALONG FOSTER AVENUE OFF RAMP.
10. OUTBOUND INTERSTATE 90/94 JUST BEFORE LAWRENCE AVENUE OFF RAMP.

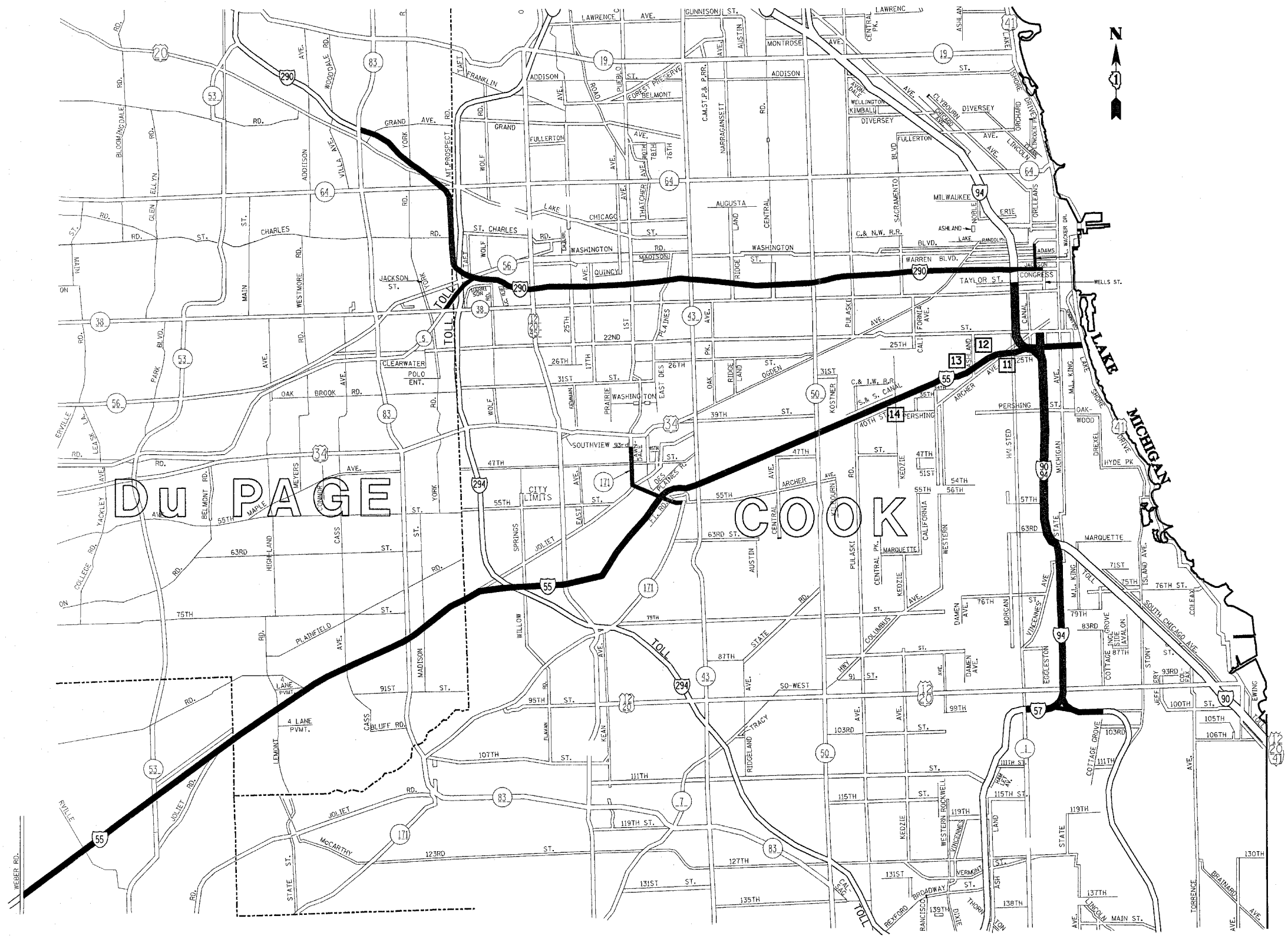
REVISIONS	
NAME	DATE

ILLINOIS DEPARTMENT OF TRANSPORTATION  
 EXPRESSWAY CLEANING LOCATION MAP  
 I-290 EXTENSION/ILL. 53, EDENS, KENNEDY  
 &  
 ELGIN-O'HARE

SCALE: 1"=1.9 MILES  
 DATE: 10/17/2005  
 DRAWN BY: CADD  
 CHECKED BY:

DU PAGE

F. & A. No.	SECTION	COUNTY	TOTAL SHEETS	SHEET NO.
VAR.	2005-065 I	VARIOUS	13	7
STA.	TO STA.			
FED. ROAD DIST. NO.	LINKS	FED. AID PROJECT		
CONTRACT 60A71				



**DAY CLEANING ONLY**

Eisenhower Expressway

Interstate 290 from Wells St. to Austin Blvd. In its entirety, from Austin Blvd. to 25th Ave. right hand side and all ramps, the eastbound collector-distributor lanes and all ramps at the U.S. 12/20/45 (Mannheim Rd.) interchange and to Roosevelt Rd. on its extension and Lower Wacker Dr. from Lake St. to the Eisenhower Expressway.

Stevenson Expressway

Interstate 55 from Lake Shore Drive to Weber Road, including all ramps to and from Illinois Route 53. Also included are the ramps and collector-distributor lanes at the Route 83 Interchange; and First Avenue, from 43rd Street to Archer Avenue. Also included are the ramps to and from Joliet Road from I-55 to east of the N.B. Tollway bridge and the ramps NB I-55 to NB Tollway and from SB Tollway to NB I-55. (Limits of cleaning on these ramps are from I-55 to the first median crossover north of Joliet Rd.)

ACCIDENT INVESTIGATION SITES:

FOR LOCATIONS 1-10, SEE INNER CITY EXPRESSWAY (NORTH SECTION)

- 11. INBOUND INTERSTATE 55 AT HALSTED STREET
- 12. OUTBOUND INTERSTATE 55 AT THROOP STREET
- 13. INBOUND INTERSTATE 55 AT WOOD STREET. (LOCATED UNDER I-55)
- 14. OUTBOUND INTERSTATE 55 AT KEDZIE AVENUE

**NIGHT CLEANING ONLY**

Eisenhower Expressway

Interstate 290 from Austin Blvd. to 25th Ave. left hand side only and from 25th Ave. to Ill. 83 including the ramps in its entirety except the eastbound collector-distributor lanes at the U.S. 12/20/45 Interchange and to Roosevelt Rd. on its extension.

Dan Ryan Expressway

Interstate 94 from Taylor Street to Cottage Grove Avenue, Interstate 57 from Interstate 94 to Halsted Street and Franklin Street connector from 22nd Street to Interstate 94

- DISTRICT NO. 1
- STATE HIGHWAYS & EXPRESSWAYS WITHIN STATE JURISDICTION (EXCEPT TOLLWAYS)
  - STATE HIGHWAYS & EXPRESSWAYS TO BE CLEANED
  - - - FUTURE HIGHWAYS
  - - - VARIOUS AGENCIES HIGHWAYS

REVISIONS	
NAME	DATE

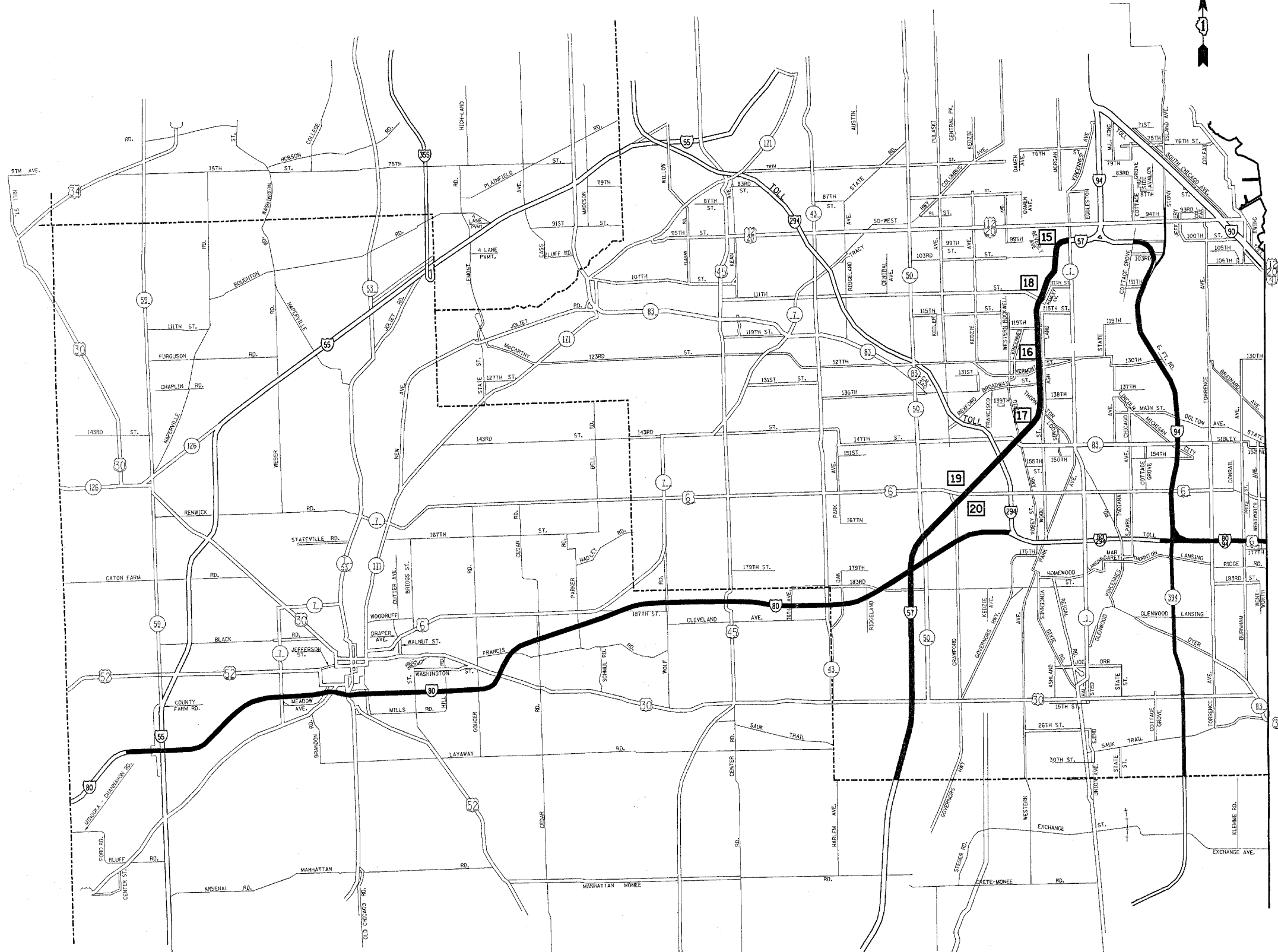
ILLINOIS DEPARTMENT OF TRANSPORTATION  
 EXPRESSWAY CLEANING LOCATION MAP  
 EISENHOWER, STEVENSON & DAN RYAN

SCALE: 1"=1.5 MILES  
 DATE: 10/17/2005

DRAWN BY  
 CHECKED BY

F. A. RITE.	SECTION	COUNTY	TOTAL SHEETS	SHEET NO.
VAR.	2005-065 I	VARIOUS	13	8
STA.	TO STA.			
FED. ROAD DIST. NO. -	ILLINOIS	FED. AID PROJECT		

CONTRACT 60471



**DAY CLEANING ONLY**

**Bishop Ford/Kingery Expressway**  
 Interstate 94 from Cottage Grove Avenue to the Indiana State line excluding northbound left hand side from Cottage Grove Ave. to 103rd St., Illinois 394 from Interstate 94 to the Cook-Will County line and the entire Stony Island Avenue - 103rd Street Interchange. Interstate 80 from Interstate 94 to Interstate 294.

**I-57 Expressway**  
 Interstate 57 from Halsted Street to Steger Road Including the entire I-57 - I-80 Interchange and all accident investigation sites.

- 15 - 17 INTERSTATE 57-3 LOCATIONS IN THE MEDIAN BETWEEN HALSTED AND 147th ST.
- 18 OUTBOUND INTERSTATE 57 AT 111th STREET EXIT RAMP
- 19 - 20 INTERSTATE 57 - 2 LOCATIONS ON THE 167th STREET RAMPS

**I-80 Expressway**  
 Interstate 80 from Interstate 294 to the Dupage River (west of Interstate 55)

**NIGHT CLEANING ONLY**

**Bishop Ford Expressway**  
 Interstate 94 from 103rd St. to Cottage Grove Ave. northbound left hand side only.

- DISTRICT NO. 1
- STATE HIGHWAYS & EXPRESSWAYS WITHIN STATE JURISDICTION (EXCEPT TOLLWAYS)
  - STATE HIGHWAYS & EXPRESSWAYS TO BE CLEANED
  - FUTURE HIGHWAYS
  - VARIOUS AGENCIES HIGHWAYS

INDIANA

REVISIONS	
NAME	DATE

ILLINOIS DEPARTMENT OF TRANSPORTATION

EXPRESSWAY CLEANING LOCATION MAP  
 BISHOP FORD, KINGERY, I-57 AND I-80

SCALE: 1"=1.5 MILES  
 DATE: 10/17/2005

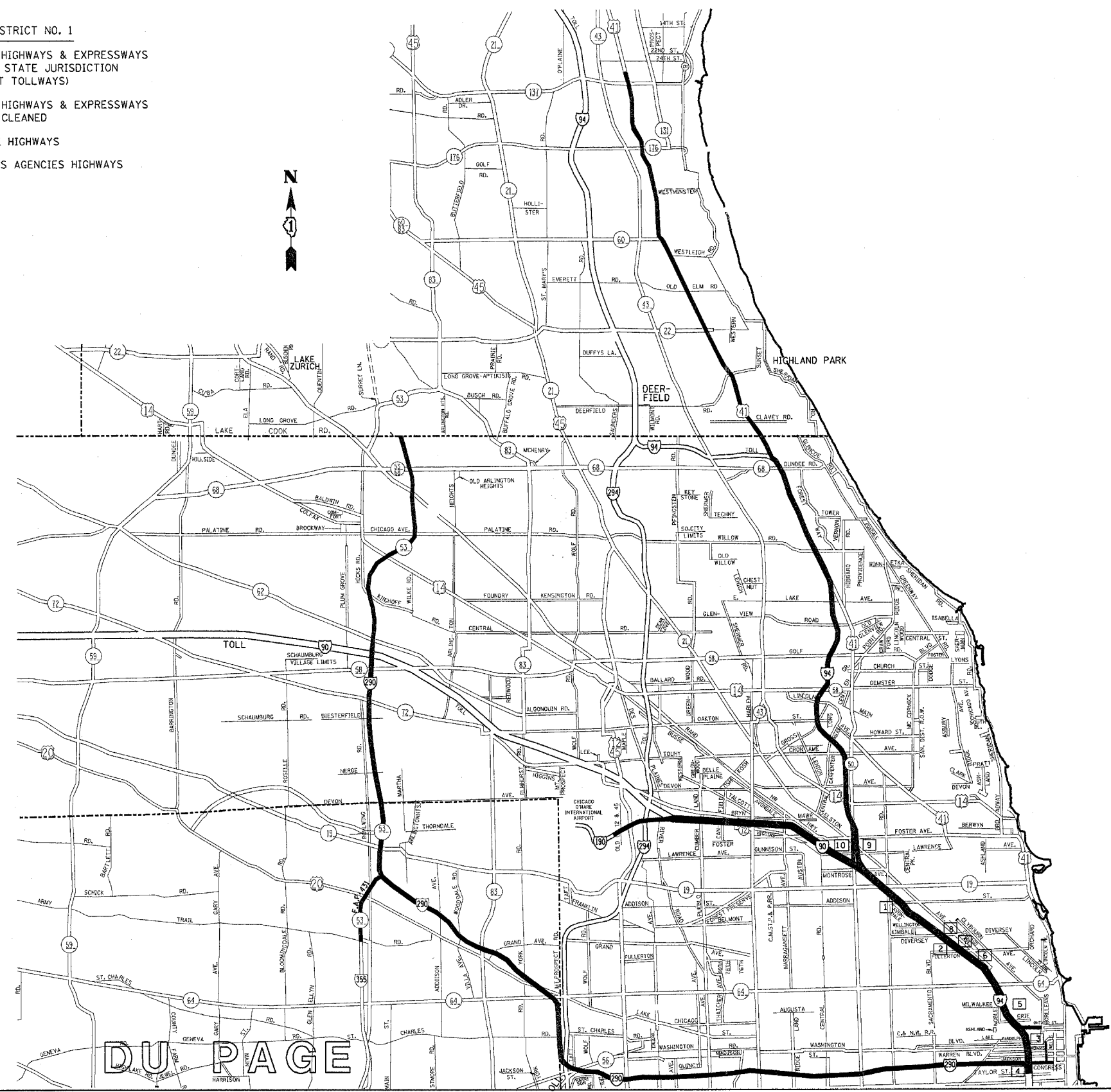
DRAWN BY  
 CHECKED BY



F. A. SHE.	SECTION	COUNTY	TOTAL SHEETS	SHEET NO.
VAR.	2005-065 I	VARIOUS	13	9
STA.	TO STA.			
FED. ROAD DIST. NO.	ILLINOIS	FED. AID PROJECT		

CONTRACT 60AT1

- DISTRICT NO. 1
- STATE HIGHWAYS & EXPRESSWAYS WITHIN STATE JURISDICTION (EXCEPT TOLLWAYS)
  - STATE HIGHWAYS & EXPRESSWAYS TO BE CLEANED
  - FUTURE HIGHWAYS
  - VARIOUS AGENCIES HIGHWAYS



**DAY CLEANING ONLY**

**Edens Expressway**  
 Interstate 94 from Montrose to Dundee Road and U.S. 41 from Dundee Road to 700 lineal feet north of Illinois 137 including two ramps at Clavey Road, two ramps at West Park Avenue, four ramps at Deerpath Road and the entire US 41/Deerfield Road interchange. Also included is Tower Road from Edens Expressway to Forestway Drive.

**Eisenhower Expressway**  
 Interstate 290 and its appurtenances from Wells St. to Austin Blvd. in its entirety, from Austin Blvd. to 25th Ave. right hand side and all ramps, the eastbound collector-distributor lanes and all ramps at the U.S. 12/20/45 (Mannheim Rd.) Interchange and to Roosevelt Rd. on its extension and Lower Wacker Dr. from Lake St. to the Eisenhower Expressway.

**I-290 Extension/IL. 53**  
 Interstate 290 Extension from Illinois 83 to Northwest Tollway, Illinois 53 from Northwest Tollway to Lake Cook Rd. including I-355 from I-290 to Army Trail Rd.

**NIGHT CLEANING ONLY**

**Eisenhower Expressway**  
 Interstate 290 from Austin Blvd. to 25th Ave. left hand side only and 25th Ave. to Illinois 83 including the ramps in its entirety except the eastbound collector-distributor lanes at the U.S. 12/20/45 interchange and to Roosevelt Rd. on its extension.

**Kennedy Expressway**  
 Interstate 90/94 from Taylor Street to Interstate 90. Interstate 90 from Interstate 90/94 to Interstate 190. Interstate 190 from Interstate 90 to the east limits of O'Hare International Airport, the Ohio Street Feeder, from Orleans Street to Interstate 90/94, I-90 from I-190 to the Tollway turn around.

**ACCIDENT INVESTIGATION SITES:**  
 FOR LOCATIONS 11-14, SEE INNER CITY EXPRESSWAY (SOUTH SECTION)

1. INBOUND INTERSTATE 90/94 AT ADDISON STREET OFF RAMP.
2. INBOUND INTERSTATE 90/94 ALONG FULLERTON AVENUE UNDER INTERSTATE 90/94.
3. INBOUND INTERSTATE 90/94 IN THE OHIO STREET INFIELD.
4. INTERSTATE 90/94 AT POLK AVENUE.
5. OUTBOUND INTERSTATE 90/94 ALONG DIVISION STREET OFF RAMP.
6. OUTBOUND INTERSTATE 90/94 ALONG INTERSTATE 90/94 AT DAMEN AVENUE.
7. OUTBOUND INTERSTATE 90/94 ALONG FULLERTON AVENUE UNDER INTERSTATE 90/94.
8. OUTBOUND INTERSTATE 90/94 ALONG KIMBALL STREET OFF RAMP.
9. OUTBOUND INTERSTATE 94 ALONG FOSTER AVENUE OFF RAMP.
10. OUTBOUND INTERSTATE 90/94 JUST BEFORE LAWRENCE AVENUE OFF RAMP.

DU PAGE

FOR INNER CITY EXPRESSWAY ( SOUTH SECTION ) SEE SHEET NUMBER 11

REVISIONS	
NAME	DATE

ILLINOIS DEPARTMENT OF TRANSPORTATION

INNER CITY EXPRESSWAY  
 LOCATION MAP  
 ( NORTH SECTION )

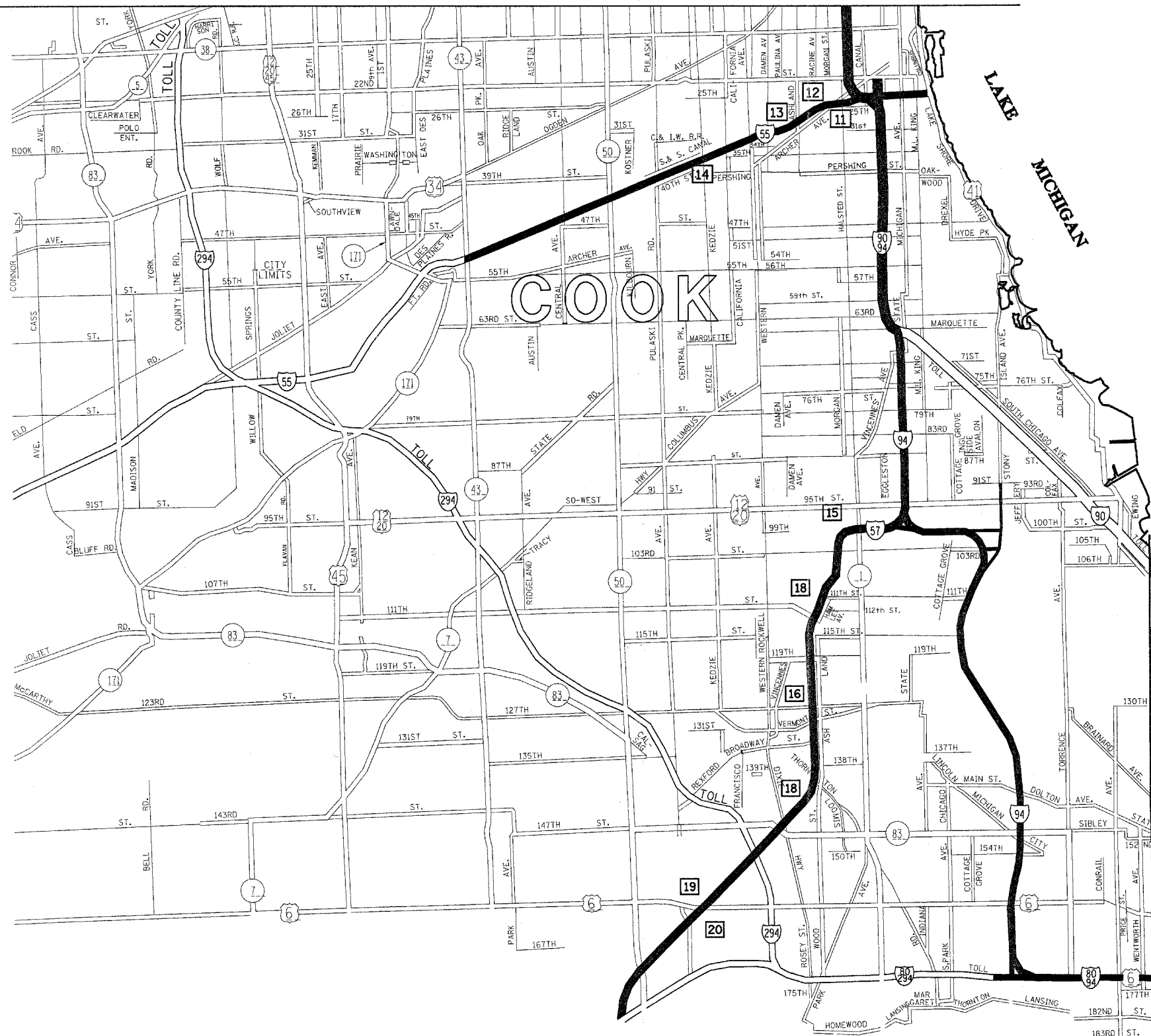
SCALE: 1"=1.9 MILES  
 DATE: 10/17/2005

DRAWN BY: CADD  
 CHECKED BY:

P. A. FILE	SECTION	COUNTY	TOTAL SHEETS	SHEET NO.
VAR.	2005-065 I	VARIOUS	13	10
STA.	TO STA.			
FED. ROAD DIST. NO.	ILLINOIS	FED. AID PROJECT		

CONTRACT 60A71

FOR INNER CITY EXPRESSWAY ( NORTH SECTION ) SEE SHEET NUMBER 10



**DAY CLEANING ONLY**

**Bishop Ford/Kingery Expressway**

Interstate 94 from Cottage Grove Ave to the Indiana State line excluding northbound left hand side Cottage Grove Ave to 103rd Street, Illinois 394 from Interstate 94 to the Cook-Will County line and the entire Stony Island Ave.-103rd Street Interchange. Interstate 80 from Interstate 94 to Interstate 294.

**Stevenson Expressway**

Interstate 55 from Lake Shore Drive to Illinois Route 43 (Harlem Ave.) including all accident investigation sites.

**ACCIDENT INVESTIGATION SITES:**

FOR LOCATIONS 1-10, SEE INNER CITY EXPRESSWAY ( NORTH SECTION )

- 11. INBOUND INTERSTATE 55 AT HALSTED STREET
- 12. OUTBOUND INTERSTATE 55 AT THROOP STREET
- 13. INBOUND INTERSTATE 55 AT WOOD STREET. (LOCATED UNDER I-55)
- 14. OUTBOUND INTERSTATE 55 AT KEDZIE AVENUE

**I-57 Expressway**

Interstate 57 from Halsted St. to Interstate 80 including the entire I-57 - I-80 Interchange and all accident investigation sites.

- 15-17. INTERSTATE 57-3 LOCATIONS IN THE MEDIAN BETWEEN HALSTED AND 147th ST.
- 18. OUTBOUND INTERSTATE 57 AT 111th STREET EXIT RAMP
- 19-20. INTERSTATE 57 - 2 LOCATIONS ON THE 167th STREET RAMPS

**NIGHT CLEANING ONLY**

**Dan Ryan Expressway**

Interstate 94 from Taylor Street to Cottage Grove Avenue, Interstate 57 from Interstate 94 to Halsted Street and Franklin Street connector from 22nd Street to Interstate 94.

**Bishop Ford Expressway**

Interstate 94 from 103rd Street to Cottage Grove Avenue northbound left hand side only.

**DISTRICT NO. 1**

- STATE HIGHWAYS & EXPRESSWAYS WITHIN STATE JURISDICTION (EXCEPT TOLLWAYS)
- STATE HIGHWAYS & EXPRESSWAYS TO BE CLEANED
- FUTURE HIGHWAYS
- VARIOUS AGENCIES HIGHWAYS
- ACCIDENT INVESTIGATION SITE TO BE CLEANED

REVISIONS	
NAME	DATE

ILLINOIS DEPARTMENT OF TRANSPORTATION

INNER CITY EXPRESSWAY  
LOCATION MAP  
( SOUTH SECTION )

SCALE: 1"=1.22 MILES  
DATE: 10/17/2005

DRAWN BY  
CHECKED BY

**NOTES:**

PROTECTION VEHICLE NUMBER 2 SHALL BE PLACED IN ADVANCE OF HORIZONTAL OR VERTICAL CURVES TO PROVIDE ADVANCE WARNING FOR WORK OPERATIONS HIDDEN BY CURVES.

TMA MAY BE USED ON WORK VEHICLE.

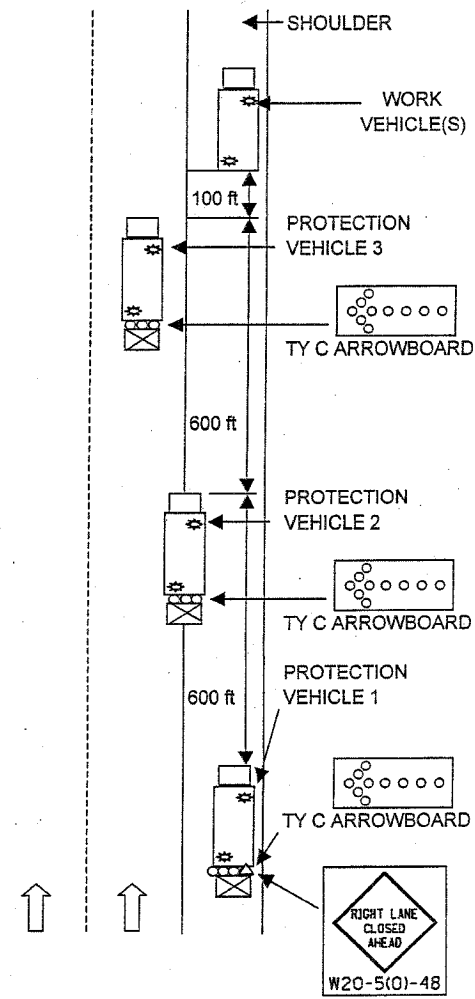
VEHICLES USED SHALL BE MADE HIGHLY VISIBLE WITH APPROPRIATE EQUIPMENT SUCH AS FLASHING LIGHTS, ROTATING BEACONS, FLAGS, SIGNS, OR ARROW DISPLAYS.

ALL PROTECTION VEHICLES SHALL HAVE ARROW DISPLAYS, AND TRUCK MOUNTED ATTENUATORS.

DETAIL MAY BE USED FOR WORK IN LEFT OR RIGHT LANE.

DURING SIGN CLEANING OPERATIONS WHEN WORKERS(VEHICLES) DO NOT ENCROACH INTO TRAVEL LANES, PROTECTION VEHICLES SHALL REMAIN ON THE SHOULDER.

- KEY :**
- △ SIGN- W20-5(0)-48  
LEFT OR RIGHT LANE CLOSED AHEAD
  - ∞ ARROWBOARD (TYPE C)
  - ⊛ VEHICLE SAFETY LIGHT
  - ↑ DIRECTION OF TRAFFIC
  - ⊠ TRUCK MOUNTED ATTENUATOR (TMA)



REVISIONS	
NAME	DATE

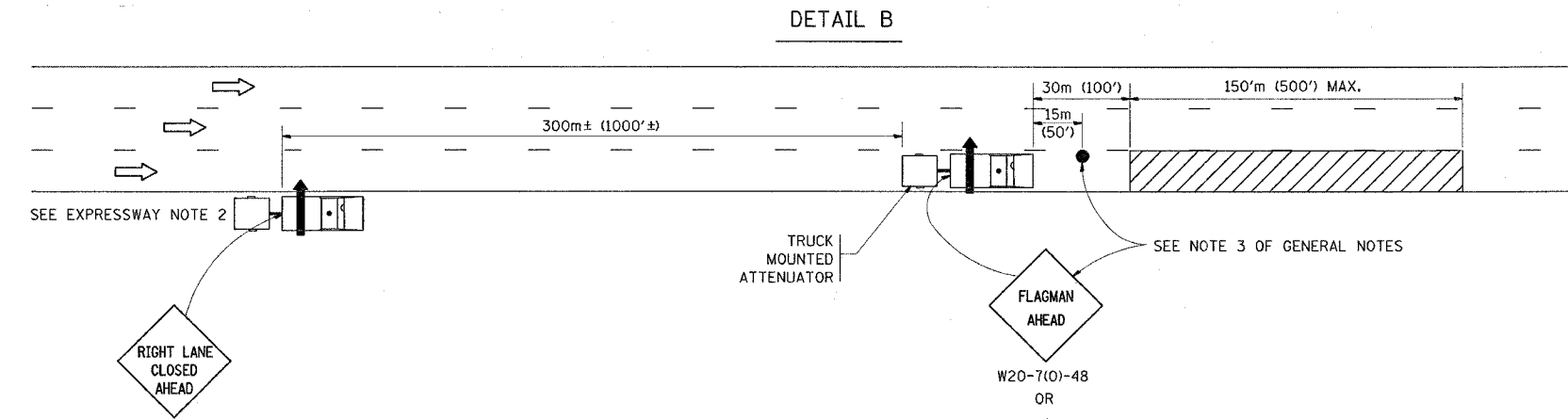
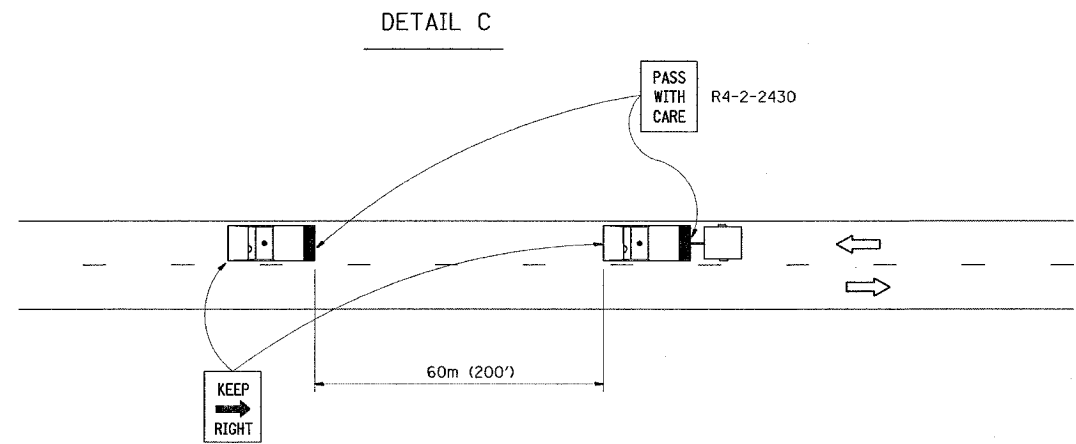
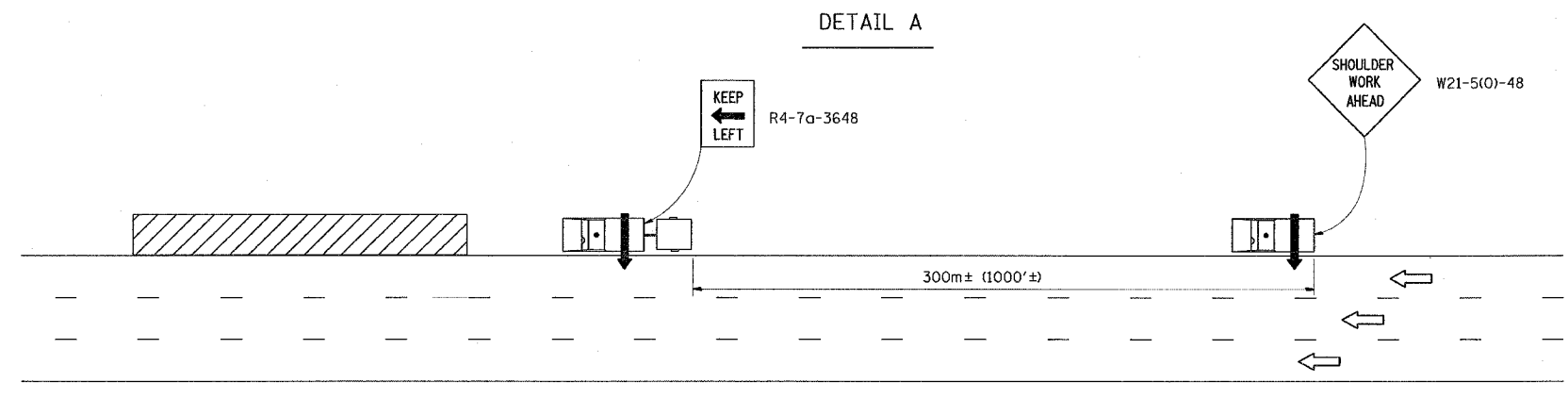
ILLINOIS DEPARTMENT OF TRANSPORTATION  
**DISTRICT ONE DETAILS:**  
**TYPICAL APPLICATION OF**  
**TRAFFIC CONTROL DEVICES**  
**HIGHWAY AND SIGN CLEANING**  
**OPERATIONS-NIGHT TIME ONLY**

SCALE: VERT. \_\_\_\_\_  
 HORIZ. \_\_\_\_\_  
 DATE \_\_\_\_\_

DRAWN BY \_\_\_\_\_  
 DESIGNED BY \_\_\_\_\_  
 CHECKED BY \_\_\_\_\_

F. A. RITE	SECTION	COUNTY	TOTAL SHEETS	SHEET NO.
VAR.	2005-065 I	*	13	12
STA.		TO STA.		
FED. ROAD DIST. NO.	BLINKER	FED. AID PROJECT		

\* COOK, DU PAGE, LAKE AND WILL  
CONTRACT 60A71



SEE EXPRESSWAY NOTE 2

TRUCK MOUNTED ATTENUATOR  
SEE NOTE 3 OF GENERAL NOTES

**GENERAL NOTES**

1. WHEN THE SHOULDER DOES NOT EXIST, OR IS NARROW, FOLLOWING VEHICLES SHOWN ON THE SHOULDER SHALL RIDE AS CLOSE TO THE EDGE OF THE TRAVELLED WAY AS PRACTICAL AND THE SPACING TO THE NEXT VEHICLE REDUCED TO APPROXIMATELY 150m (500 FT).
2. THIS STANDARD IS ALSO APPLICABLE WHEN WORK IS BEING PERFORMED IN THE LEFT LANE(S) OR ON THE MEDIAN SHOULDER. UNDER THESE CONDITIONS, "KEEP RIGHT" SIGNS SHALL BE SUBSTITUTED FOR "KEEP LEFT" SIGNS AND ARROW BOARD INDICATIONS SHALL BE DIRECTED TO THE RIGHT.
3. WHEN FLAGGERS ARE SPECIFIED, FLAGGER SIGNS SHALL BE PLACED AS SHOWN.
4. WHEN USING DETAIL B, OR WHERE WORKERS ARE IN THE LEAD VEHICLE, OTHER THAN IN THE CAB, THE FOLLOWING VEHICLE SHALL BE POSITIONED BEHIND THE LEAD VEHICLE AND THE SPACING REDUCED TO APPROXIMATELY 150m (500 FT).
5. LONGITUDINAL DISTANCES MAY BE ADJUSTED TO FIT FIELD CONDITIONS. THE LATERAL PLACEMENT OF THE FLAGGER MAY BE VARIED FROM THAT SHOWN.
6. WATER TRUCKS USED TO CONTROL DUST PROPAGATION ARE ALLOWED TO OPERATE BY THEMSELVES. THEY SHALL AVOID SUDDEN STOPS.
7. ALL VEHICLES SHALL HAVE HEADLIGHTS AND EMERGENCY FLASHERS OPERATING AND SHALL DISPLAY AN AMBER COLORED OSCILLATING, ROTATING OR FLASHING LIGHT(S). AT LEAST ONE AMBER LIGHT IS TO BE VISIBLE FROM ANY DIRECTION.
8. ALL SWEEPERS, SIGN CLEANING TRUCKS, WATER TRUCKS AND FOLLOW VEHICLES SHALL HAVE ARROW BOARDS, AND APPROPRIATE SIGNS.

**SYMBOLS**

- ARROW BOARD (HAZARD MODE ONLY)
- ARROW BOARD
- FLAGGER WITH TRAFFIC CONTROL SIGNS
- WORK AREA
- TRUCK WITH FLASHING AMBER LIGHT
- TRUCK WITH FLASHING AMBER LIGHT AND TRUCK MOUNTED ATTENUATOR

**EXPRESSWAY NOTES**

1. A FOLLOW VEHICLE(S) WITH ARROW BOARD IS REQUIRED AT ALL TIMES.
2. TRUCK MOUNTED ATTENUATORS ARE REQUIRED ON ALL CLEANING OPERATIONS.
3. WHEN WITHIN THE INNER CITY LIMITS OR ON SHOULDERS THAT ARE TOO NARROW FOR THE FOLLOW VEHICLE, THE SECOND FOLLOW VEHICLE SHALL HAVE A TRUCK MOUNTED ATTENUATOR.
4. WHEN WORKING ON RAMPS, THE SECOND FOLLOW VEHICLE SHALL REMAIN ON THE MAINLINE SHOULDER IN ADVANCE OF THE RAMP. THE FOLLOW VEHICLE SHALL HAVE A "RAMP WORK AHEAD" SIGN.
5. SIGN CLEANING SHALL HAVE THE SAME TRAFFIC CONTROL AND PROTECTION REQUIREMENTS AS OUTLINED FOR SWEEPING OPERATIONS.

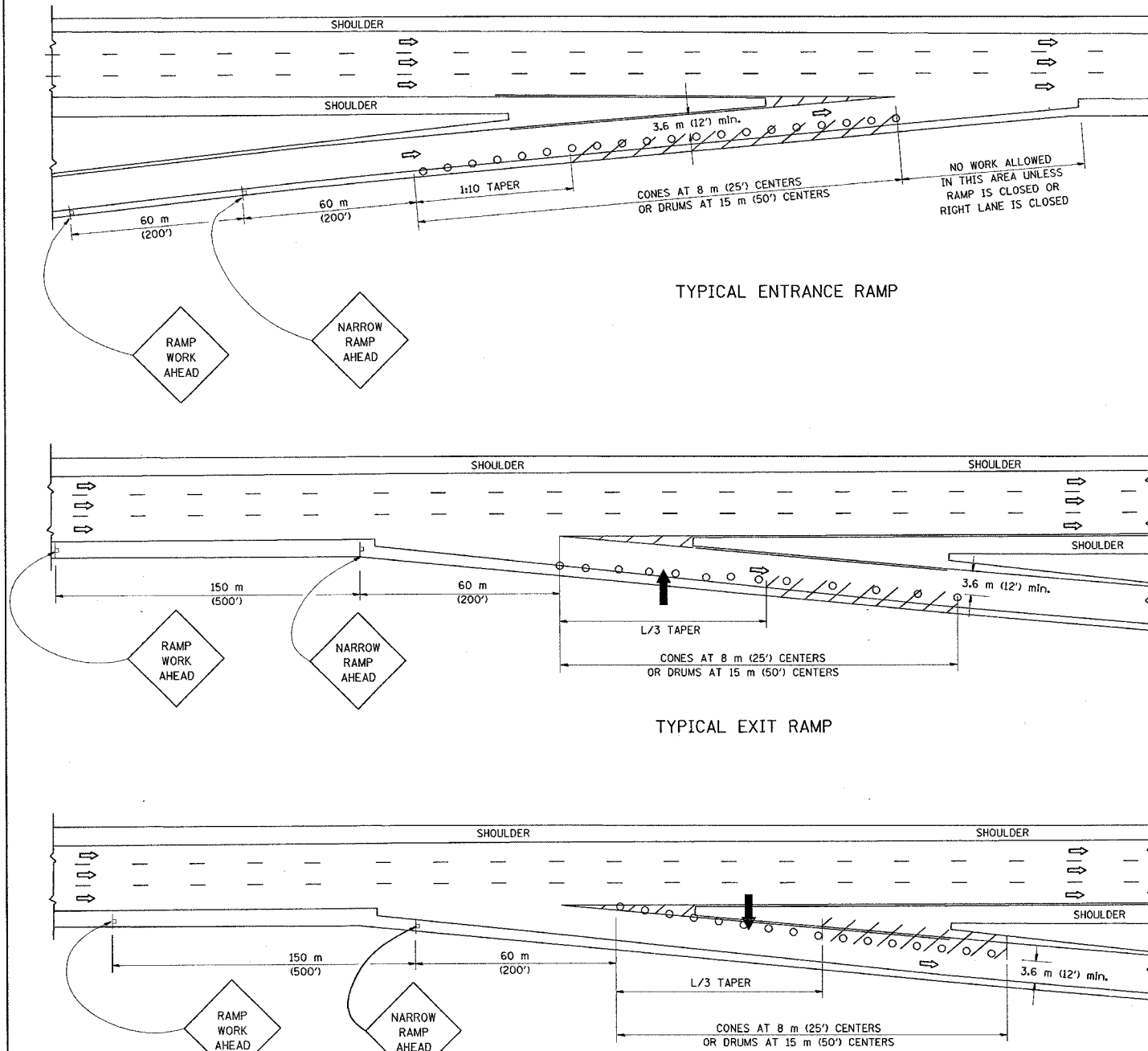
**ARTERIAL NOTES**

1. DETAIL C SHALL APPLY
2. TRUCK MOUNTED ATTENUATORS ARE REQUIRED ON ALL CLEANING OPERATIONS.

REVISIONS	
NAME	DATE

ILLINOIS DEPARTMENT OF TRANSPORTATION  
**DISTRICT ONE DETAILS:**  
**TYPICAL APPLICATION OF**  
**TRAFFIC CONTROL DEVICES**  
**HIGHWAY AND SIGN CLEANING**  
**OPERATIONS-DAY TIME ONLY**  
SCALE: NONE  
DATE 10/17/2005  
DRAWN BY CAD  
CHECKED BY

### PARTIAL RAMP CLOSURE DETAILS



TYPICAL ENTRANCE RAMP

TYPICAL EXIT RAMP

TYPICAL EXIT RAMP

**SYMBOLS**

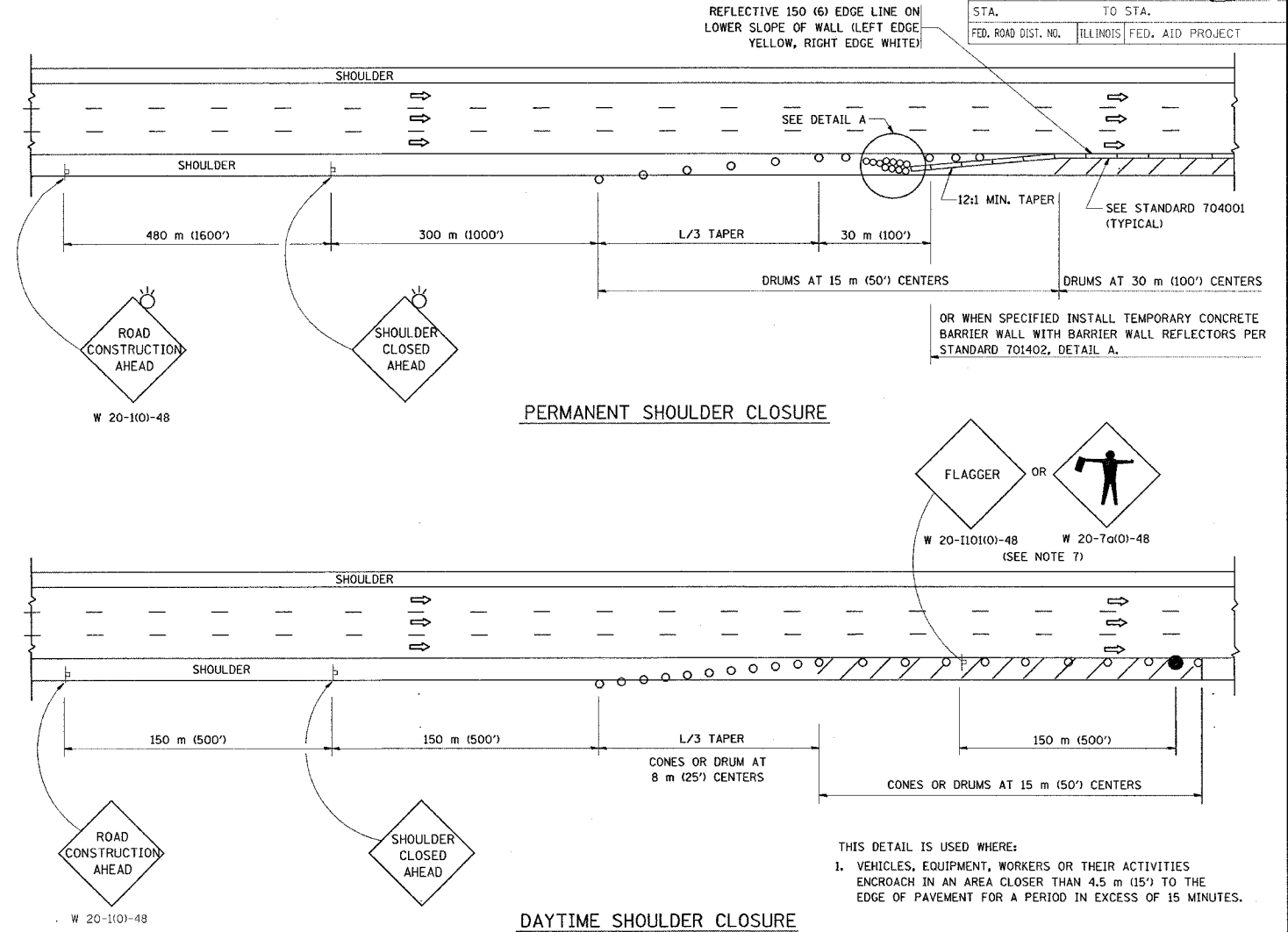
- ARROWBOARD
- WORK AREA
- SIGN ON PORTABLE OR PERMANENT SUPPORT
- FLAGGER WITH CONTROL SIGN
- DRUM WITH MONO-DIRECTIONAL STEADY BURNING LIGHT
- CONES - 700 (28) IN HEIGHT

**GENERAL NOTES**

1. THE "L" DISTANCE EQUALS:
 

SPEED LIMIT	FORMULAS
80 km/h (45 mph) OR GREATER:	METRIC: $L=0.65(W)(S)$ ENGLISH: $L=(W)(S)$
	W = WIDTH OF OFFSET IN METERS (FEET) S = NORMAL POSTED SPEED KM/H (MPH)
2. PLASTIC DRUMS WITH HIGH PERFORMANCE REFLECTIVE SHEETING AND STEADY BURNING LIGHTS ARE REQUIRED FOR ALL NIGHTTIME CLOSURES.
3. ALL SIGNS SHALL BE POST MOUNTED IF THE CLOSURE TIME EXCEEDS FOUR DAYS.
4. FLASHING LIGHTS SHALL BE USED DURING THE HOURS OF DARKNESS AND SHALL BE INSTALLED ABOVE THE FIRST TWO SETS OF SIGNS.

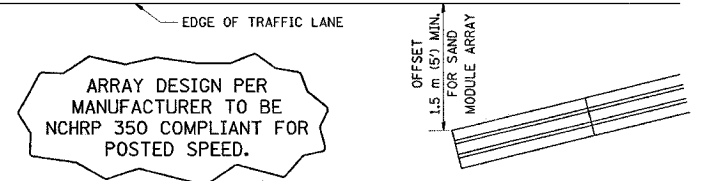
### SHOULDER CLOSURE DETAILS



PERMANENT SHOULDER CLOSURE

DAYTIME SHOULDER CLOSURE

THIS DETAIL IS USED WHERE:  
 1. VEHICLES, EQUIPMENT, WORKERS OR THEIR ACTIVITIES ENCR OACH IN AN AREA CLOSER THAN 4.5 m (15') TO THE EDGE OF PAVEMENT FOR A PERIOD IN EXCESS OF 15 MINUTES.



DETAIL "A"  
 IMPACT ATTENUATOR, TEMPORARY  
 (SEE NOTE 5)

ALL DIMENSIONS ARE IN MILLIMETERS (INCHES) UNLESS OTHERWISE SHOWN.  
 ILLINOIS DEPARTMENT OF TRANSPORTATION

### TRAFFIC CONTROL DETAILS FOR FREEWAY SHOULDER CLOSURES PARTIAL RAMP CLOSURES

REVISIONS	
NAME	DATE
DWS	11/96
JAF	12/02
NCHRP 350	04/03

SCALE: NONE  
 DATE: 7/21/2005  
 DRAWN BY: DWS  
 DESIGNED BY: DWS  
 CHECKED BY: TC-17

F.A. RTE.	SECTION	COUNTY	TOTAL SHEETS	SHEET NO.
VAR	2005-065 I	VAR.	13	13
STA.	TO STA.			
FED. ROAD DIST. NO.	ILLINOIS	FED. AID PROJECT		